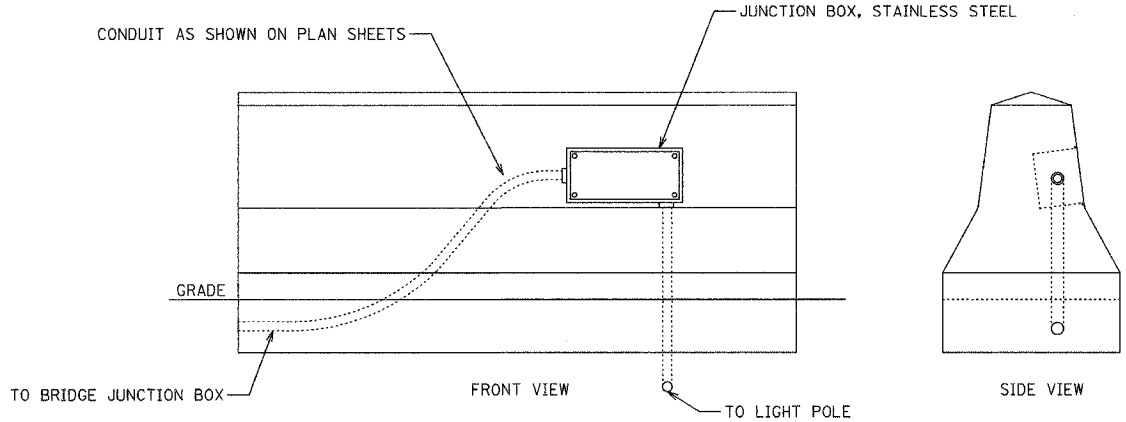


240/480V LIGHTING CONTROLLER WIRING DIAGRAM

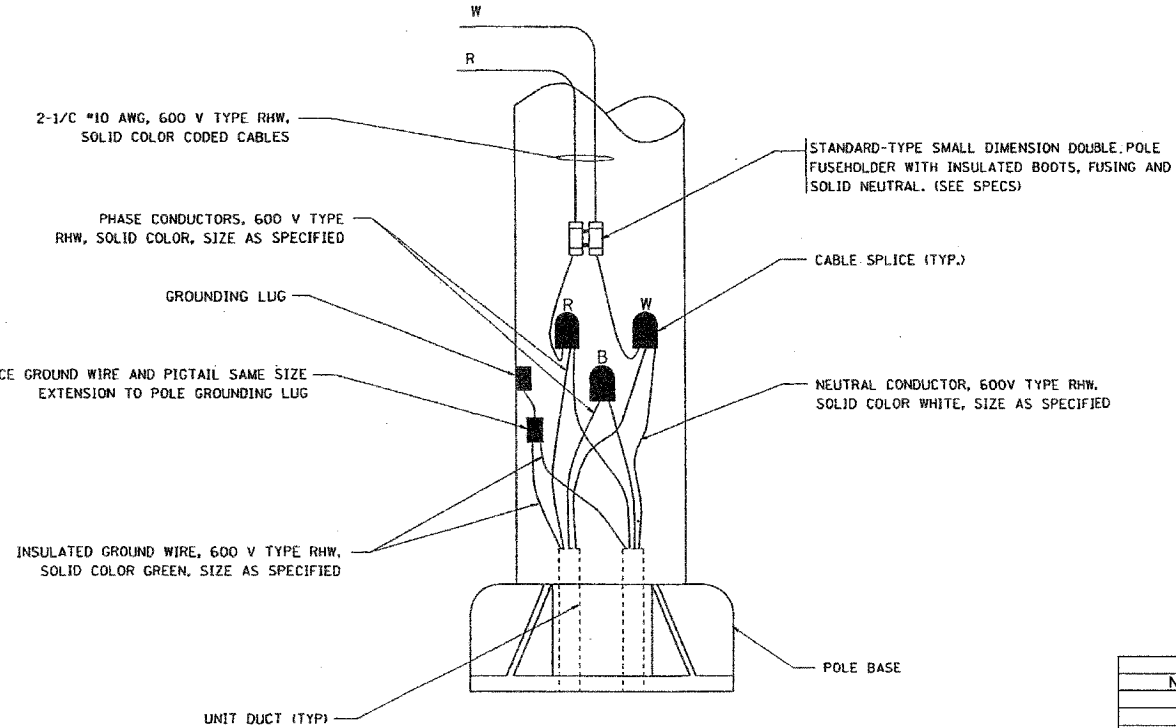
- SCHEDULE OF DEVICES
- METER FITTING
 - SURGE SUPPRESSOR
 - MAIN BREAKER, 2P, 100A, 480V
 - CONTACTOR, 2P, 100A
 - SPLICE BLOCK
 - BRANCH BREAKER, 1P, 30A, 240V
 - CONTROL BREAKER, 1P, 15A, 240V
 - H-O-A SWITCH
 - PHOTOCELL TERMINAL BLOCK
 - PHOTOCELL, CABINET MOUNTED
 - RELAY, DPDT, 240V
 - AUX. BREAKER, 1P, 15A, 240V
 - TRANSFORMER, 1.5KVA
 - TERMINAL BLOCK
 - BRANCH BREAKER, 1P, 15A, 120V
 - DUPLEX RECEPTACLE, 20A GFCI
 - DOOR SWITCH
 - LIGHT FIXTURE

POWER WIRING RHH/RHW
 CONTROL WIRING #12 MTW
 NEUTRAL BUS COLOR CODED WHITE
 GROUND BUS COLOR CODED GREEN



NOTE:
 JUNCTION BOXES SHALL BE MOUNTED ON THE EAST FACE OF THE BARRIER WALL.

JUNCTION BOX, STAINLESS STEEL, EMBEDDED IN BARRIER WALL



POLE WIRING DETAIL
 N.T.S.

REVISIONS	
NAME	DATE

ILLINOIS DEPARTMENT OF TRANSPORTATION
 VILLAGE OF SCHAUMBURG

MEACHAM ROAD
 LIGHTING IMPROVEMENTS
 LIGHTING DETAILS

SCALE: NONE
 DATE: DECEMBER 2004

DRAWN BY: KDM
 CHECKED BY: JMV

p:\proj\3285\design\lighting\3286-detail13.dgn