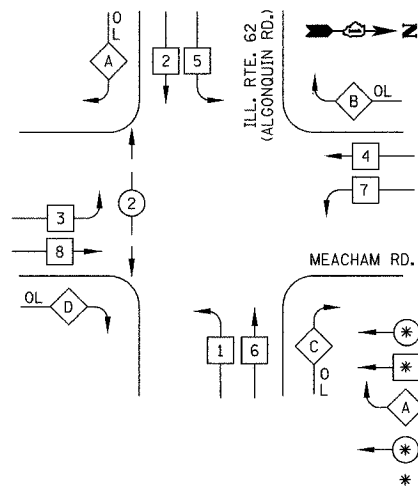


EXISTING AND PROPOSED CONTROLLER SEQUENCE



LEGEND

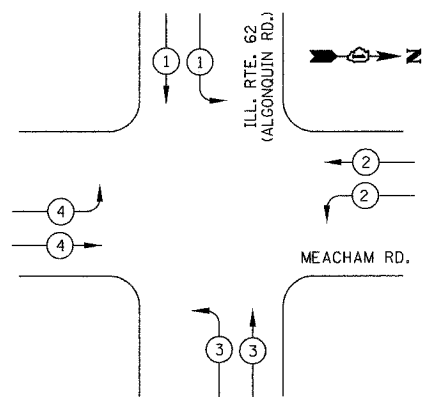
- DUAL ENTRY PHASE
- SINGLE ENTRY PHASE
- OVERLAP
- PEDESTRIAN PHASE
- NUMBER REFERS TO ASSOCIATED PHASE
- *

PHASE DESIGNATION DIAGRAM

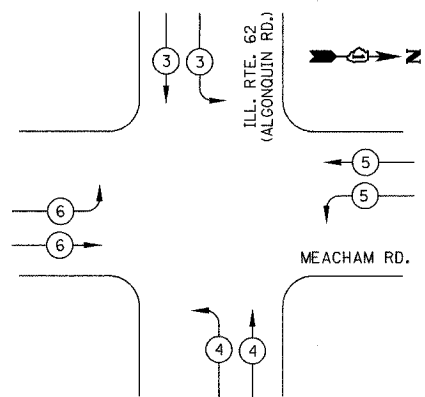
RIGHT TURN OVERLAP PHASE DESIGNATION

OVERLAP LETTER	PERMISSIVE PHASE	PROTECTED PHASE
A	= 2	+ 3
B	= 4	+ 5
C	= 6	+ 7
D	= 8	+ 1

EXISTING EMERGENCY VEHICLE PREEMPTION SEQUENCE



PROPOSED EMERGENCY VEHICLE PREEMPTION SEQUENCE

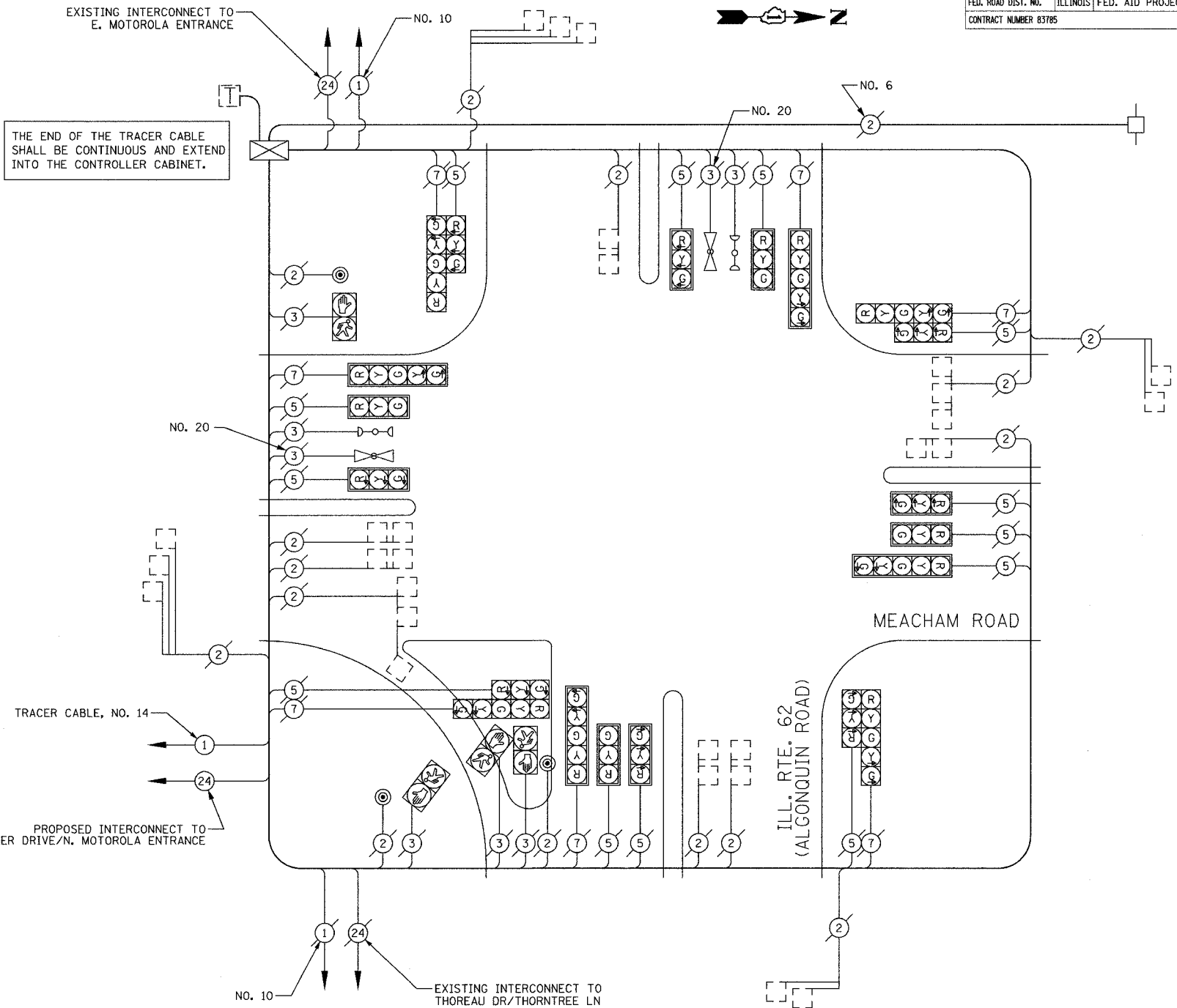


EXISTING EMERGENCY VEHICLE PREEMPTORS				
EMERGENCY VEHICLE PREEMPTOR	1	2	3	4
MOVEMENT	↓	↑	←	→

PROPOSED EMERGENCY VEHICLE PREEMPTORS				
EMERGENCY VEHICLE PREEMPTOR	3	4	5	6
MOVEMENT	↓	↑	←	→

CABLE PLAN LEGEND

- | EXISTING | PROPOSED | |
|----------|----------|--|
| | | 8" (200mm) TRAFFIC SIGNAL SECTION |
| | | 12" (300mm) TRAFFIC SIGNAL SECTION |
| | | 12" (300mm) PEDESTRIAN SIGNAL SECTION |
| | | 12" (300mm) PEDESTRIAN SIGNAL SECTION |
| | | CONTROLLER CABINET |
| | | SERVICE INSTALLATION |
| | | TELEPHONE CONNECTION |
| | | MAGNETIC DETECTOR |
| | | EMERGENCY VEHICLE LIGHT DETECTOR |
| | | CONFIRMATION BEACON |
| | | PUSHBUTTON DETECTOR |
| | | VEHICLE DETECTOR, INDUCTION LOOP |
| | | MICROWAVE VEHICLE SENSOR |
| | | SIGNAL FACE WITH BACKPLATE, "F" INDICATES PROGRAMMED HEAD |
| | | RAILROAD CONTROL CABINET |
| | | ILLUMINATED SIGN "NO LEFT TURN" |
| | | ILLUMINATED SIGN "NO RIGHT TURN" |
| | | GROUND ROD AT HANDHOLE (H), DOUBLE HANDHOLE (HH), OR CONTROLLER (C). |
| | | GROUND ROD AT POST (P), OR MAST ARM POLE (MA). |
| | | GROUND ROD AT ELECTRIC SERVICE INSTALLATION |
| | | GROUND CABLE IN CONDUIT NO. 6 SOLID COPPER (GREEN) |
| | | FIBER OPTIC CABLE IN CONDUIT NO. 62.5/125 2-MM24F SM12F |



CABLE PLAN
NOT TO SCALE

SCHEDULE OF QUANTITIES

PAY ITEM	UNIT	QUANTITY
MODIFY EXISTING CONTROLLER	EACH	1

REVISIONS	
NAME	DATE

ILLINOIS DEPARTMENT OF TRANSPORTATION
CABLE PLAN, PHASE DESIGNATION DIAGRAM AND SCHEDULE OF QUANTITIES
 MEACHAM ROAD & ILL. ROUTE 62 (ALGONQUIN ROAD)
 NOT TO SCALE
 DATE 12/20/04
 DESIGNED BY JJE
 CHECKED BY KMM