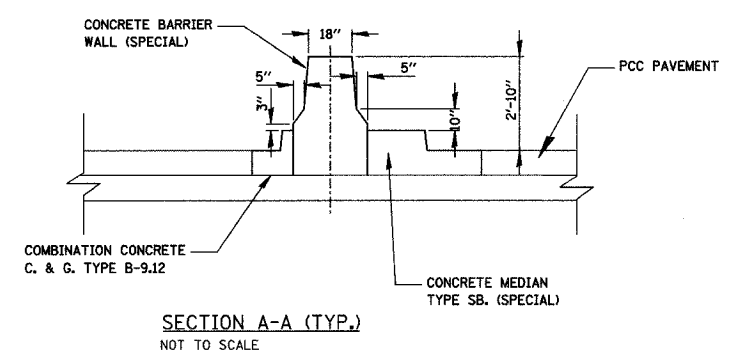
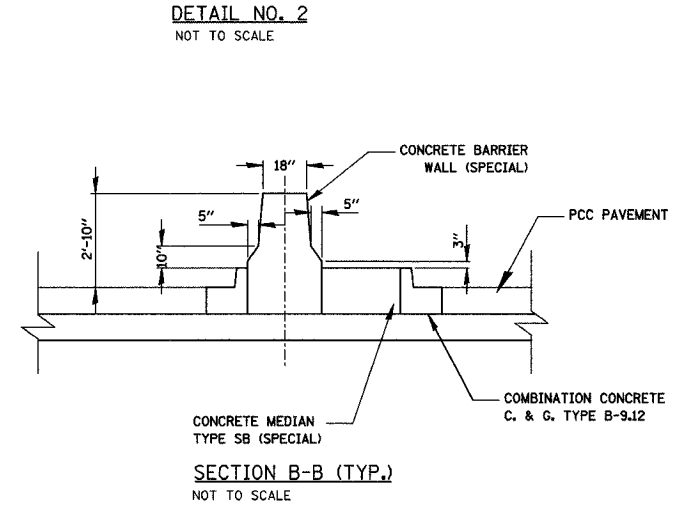
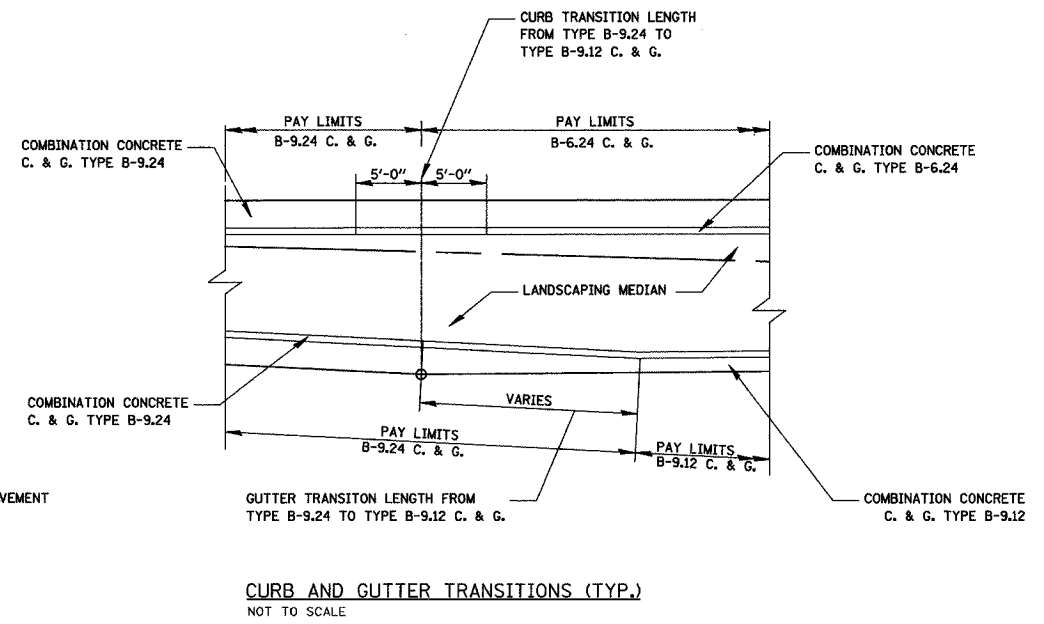
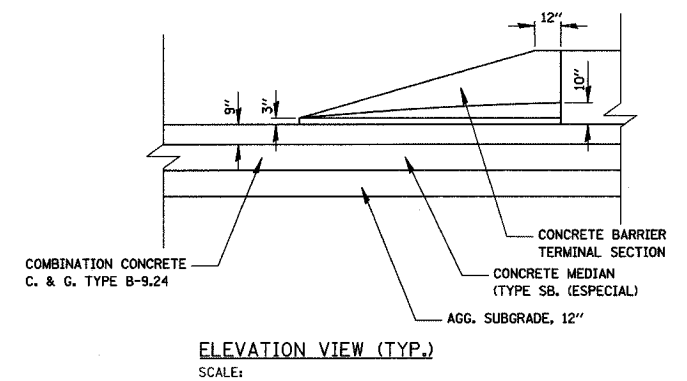
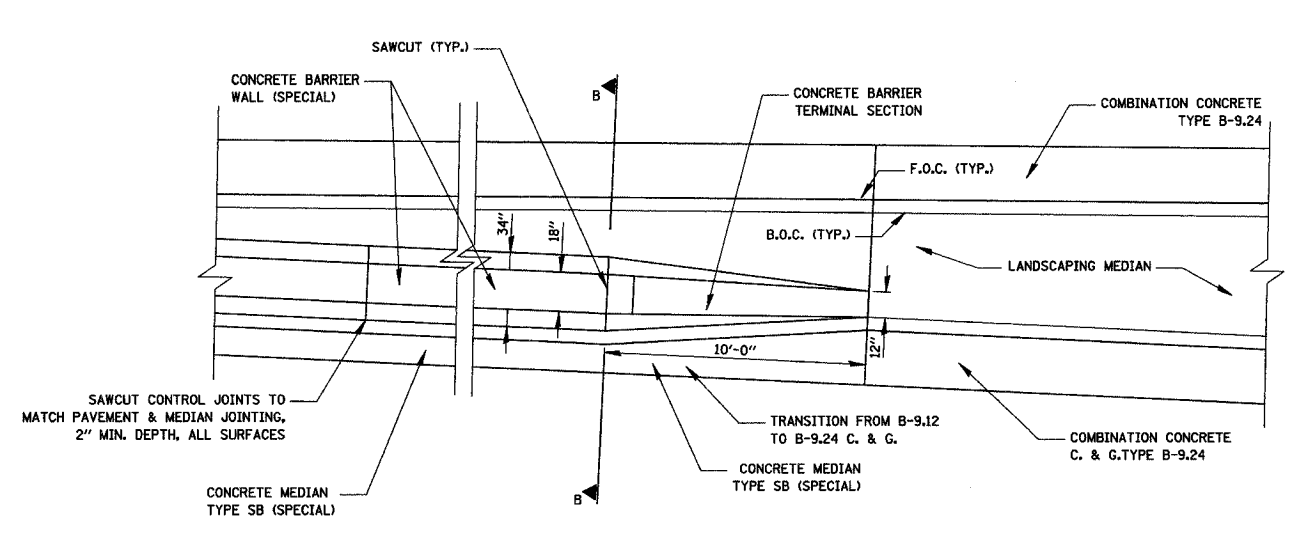
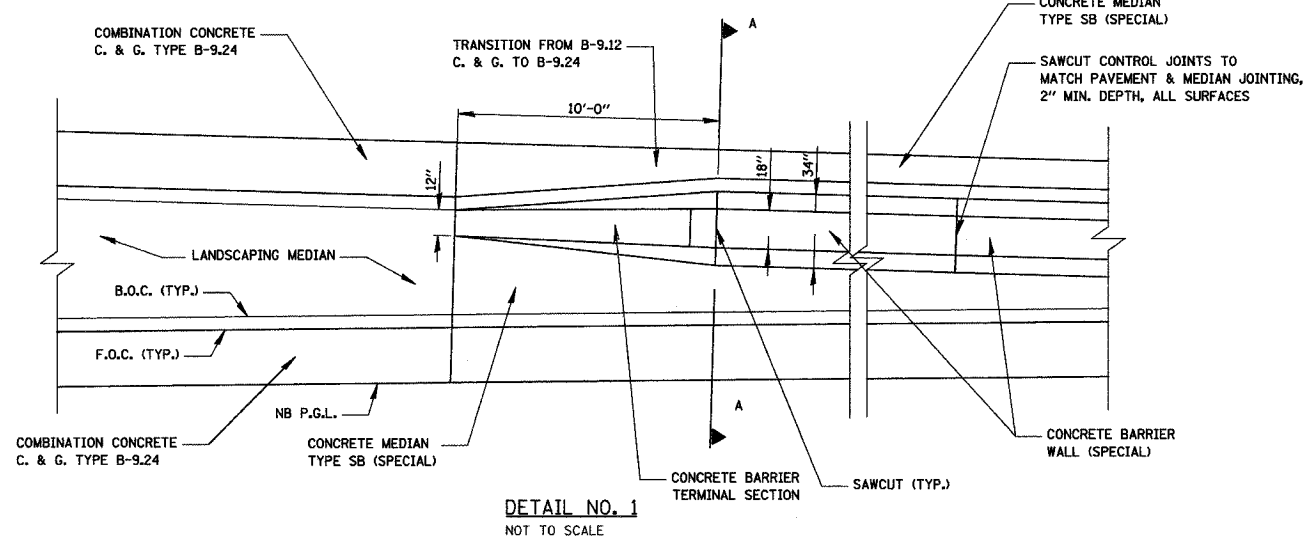
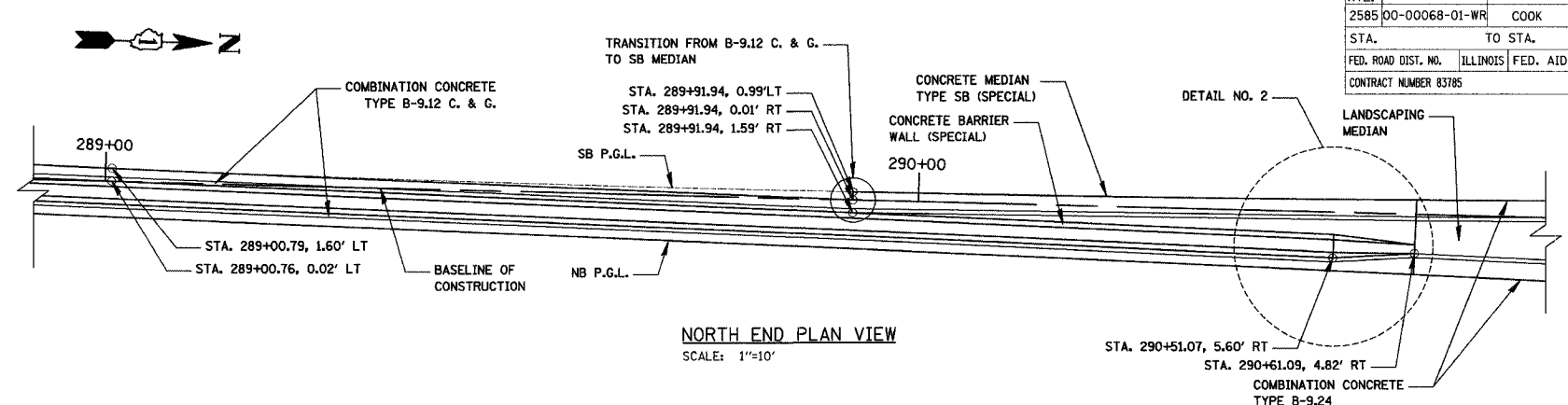
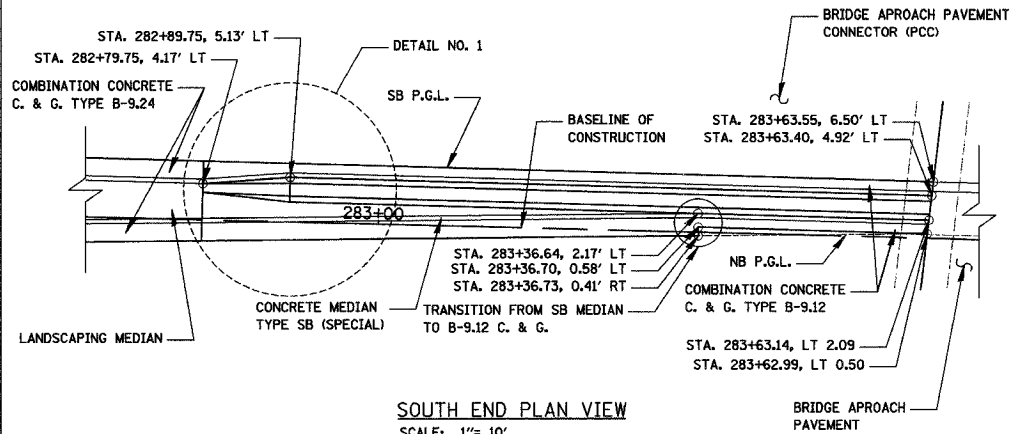


F.A.U. RTE.	SECTION	COUNTY	TOTAL SHEETS	SHEET NO.
2585	00-00068-01-WR	COOK	145	59
STA.	TO STA.			
FED. ROAD DIST. NO.	ILLINOIS	FED. AID PROJECT		
CONTRACT NUMBER 83785				



REVISIONS	
NAME	DATE

ILLINOIS DEPARTMENT OF TRANSPORTATION
MEACHAM ROAD
CONSTRUCTION DETAILS
CONCRETE BARRIER WALL (SPECIAL)
DESIGNED BY MRK
CHECKED BY RRM
DATE 12/20/04