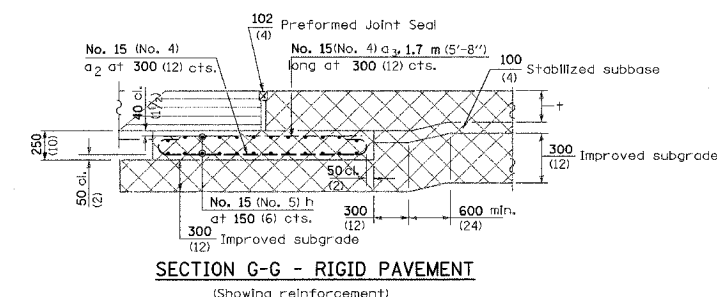
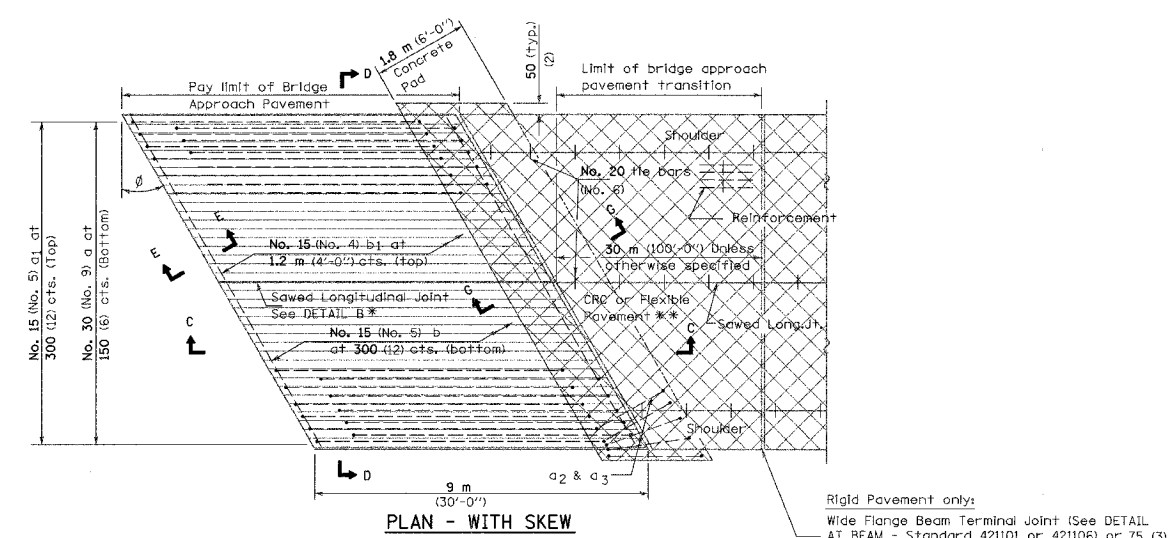
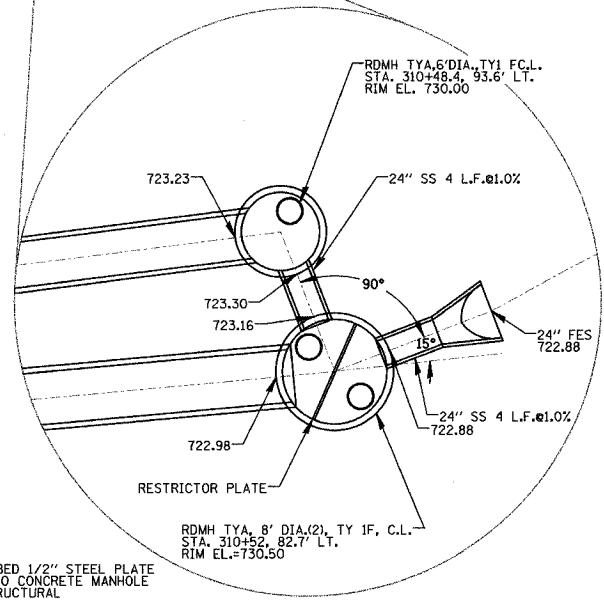
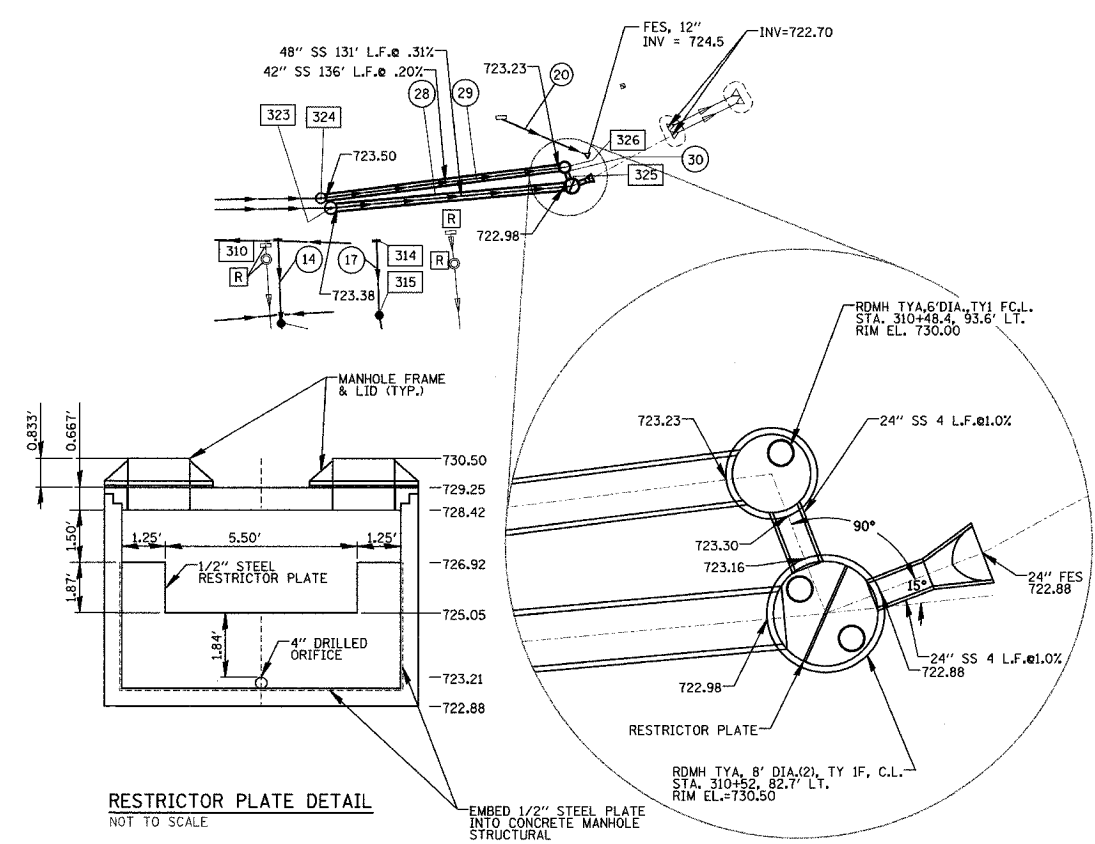
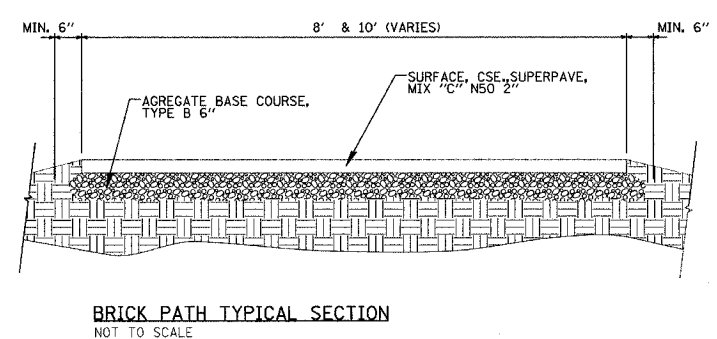
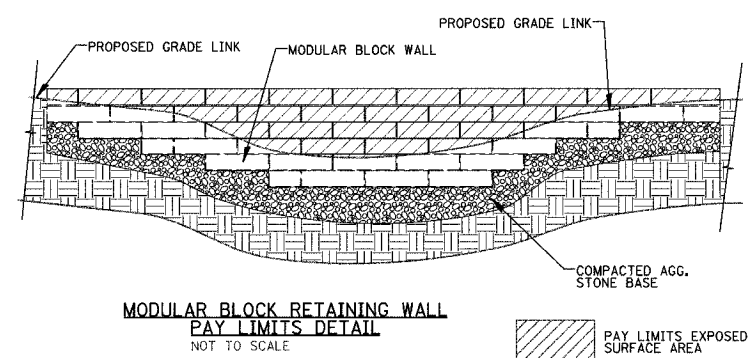


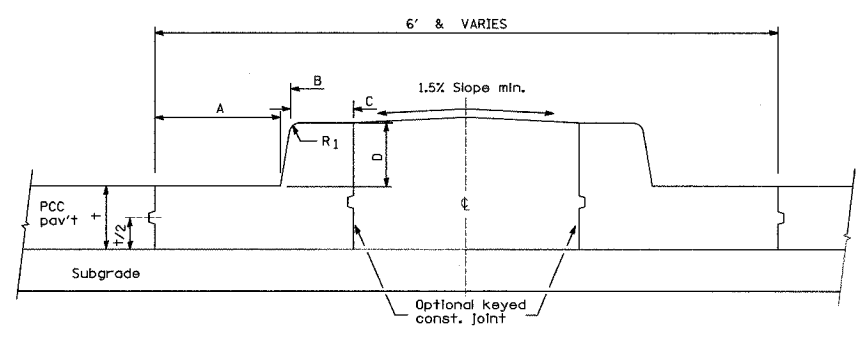
F.A.U. RTE.	SECTION	COUNTY	TOTAL SHEETS	SHEET NO.
2585 00-00068-01-WR		COOK	145	58
STA.	TO STA.			
FED. ROAD DIST. NO.	ILLINOIS	FED. AID PROJECT		
CONTRACT NUMBER 63785				



**BRIDGE APPROACH PAVEMENT CONTRACT LIMITS**

**BRIDGE APPROACH PAVEMENT**  
(Sheet 1 of 4)  
**STANDARD 420401-04**  
(modify 12-20-04)

TABLE OF DIMENSIONS					
TYPE SB MEDIANS					
TYPE	A	B	C	D	R <sub>1</sub>
(SB-6.12)	(12)	(1)	(6)	(6)	(1)
(SB-6.24)	(24)	(1)	(6)	(6)	(1)
(SB-9.12)	(12)	(2)	(5)	(9)	(1)
(SB-9.24)	(24)	(2)	(5)	(9)	(1)



CONCRETE MEDIAN TYPE SB (SPECIAL)			
STA. TO STA.	WEST SIDE	EAST SIDE	
274+70.00	277+46.28	SB-9.12	SB-6.24
282+79.51	283+36.73	-----	SB-9.24
289+91.94	290+61.18	SB-9.24	-----
294+42.90	298+37.00	SB-6.24	SB-9.12
298+75.00	302+12.02	SB-6.12	SB-6.24
309+13.69	316+08.00	SB-6.24	SB-9.12

REVISIONS	
NAME	DATE

ILLINOIS DEPARTMENT OF TRANSPORTATION  
**MEACHAM ROAD CONSTRUCTION DETAILS**

DESIGNED BY KRY  
CHECKED BY RRM  
DATE 12/20/04