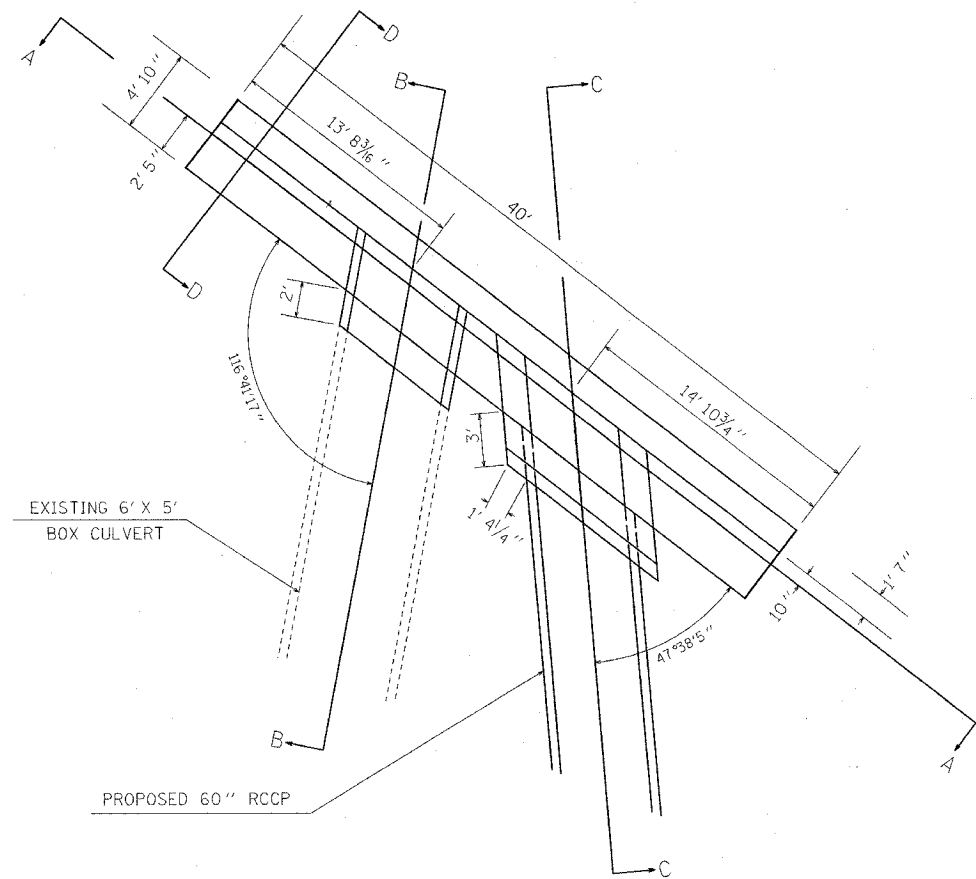


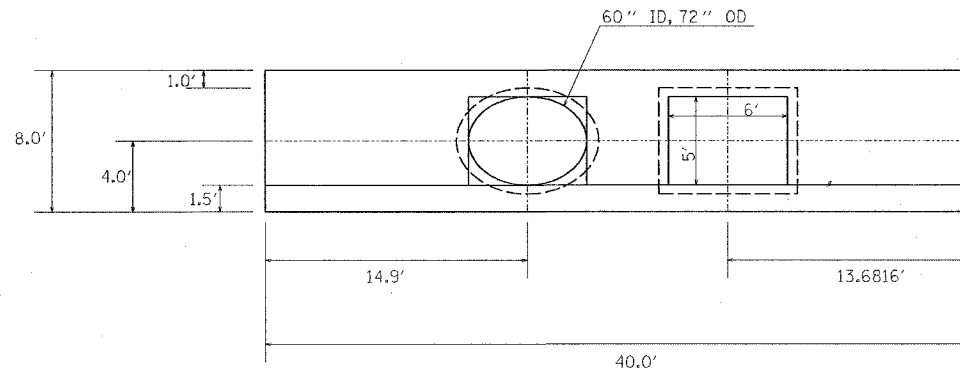
FAP ROUTE	SECTION	COUNTY	TOTAL SHEETS	SHEET NO
586	60R-2, 37R-1	MADISON	502	240

CONTRACT #76301

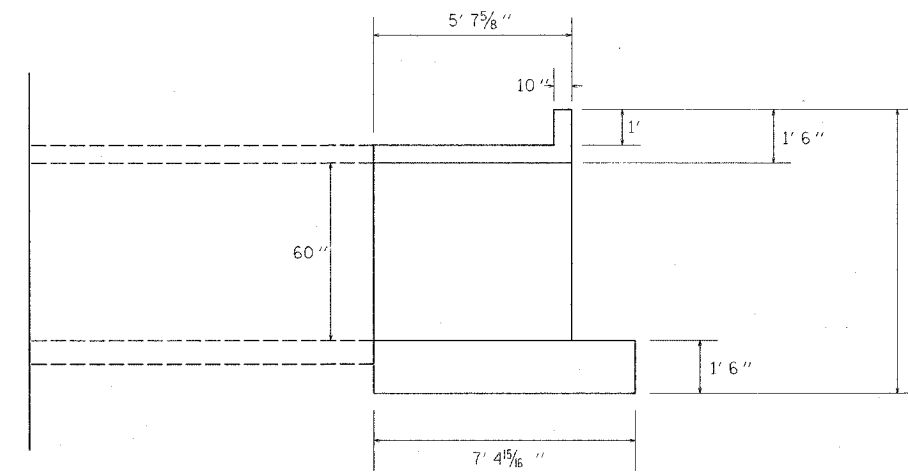
PLAN	ISSUED	DATE
NOTE BOOK	PLATTED	
	CHECKED	
	BY	
	DATE	



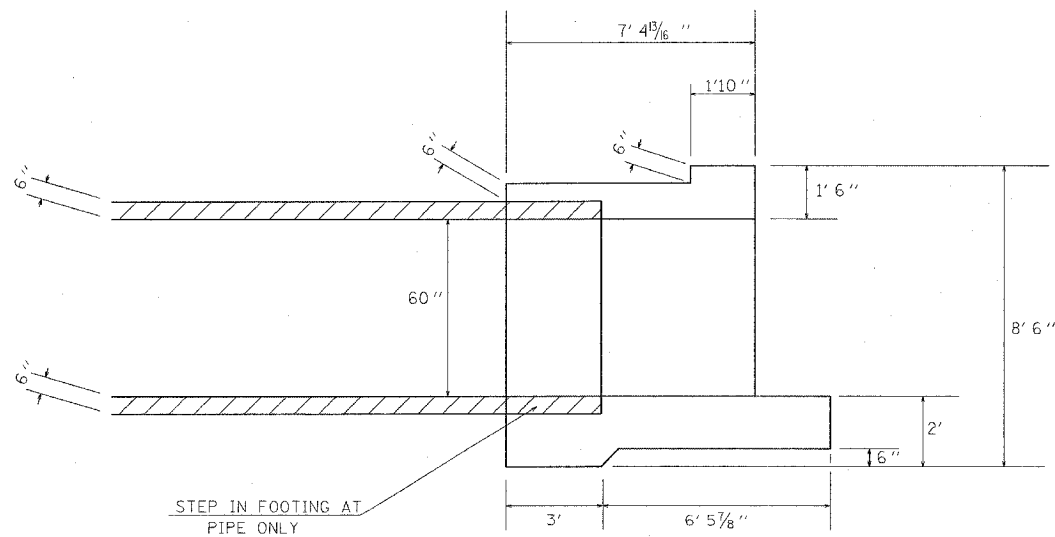
PLAN VIEW



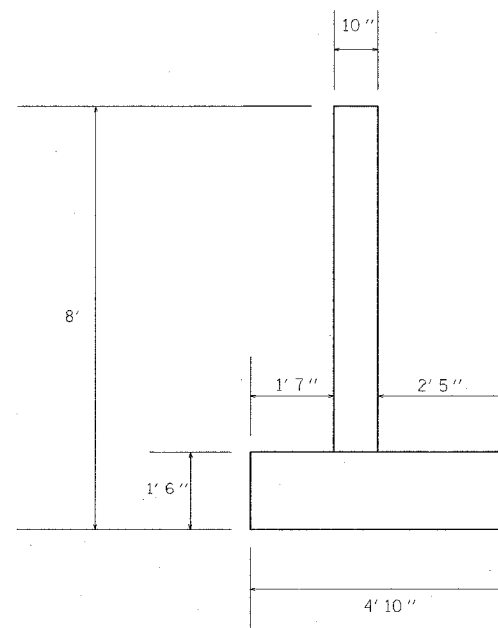
SECTION A - A



SECTION B - B



SECTION C - C



SECTION D - D

STEP IN FOOTING AT PIPE ONLY

REVISIONS	
NAME	DATE

ILLINOIS DEPARTMENT OF TRANSPORTATION

BOX CULVERT
STA. 100+48.24 (HWY 40)
UPSTREAM END TREATMENT

FAP ROUTE 586 (IL 162)
SECTION 60R-2, 37R-1
MADISON COUNTY

DRAWN BY:

PLOT DATE: Friday July 02, 2004 e 10:13:39 AM