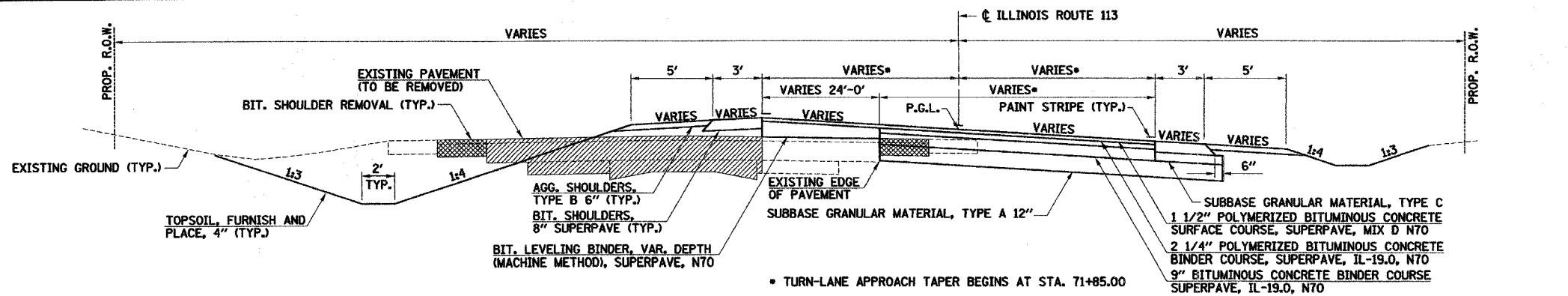
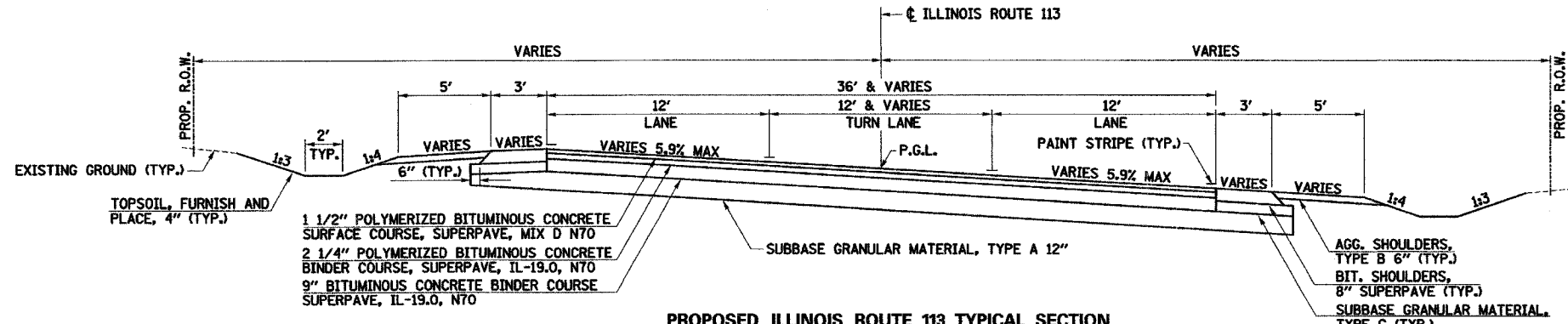


DATE _____ BY _____
 SURVEYED _____
 PLAN NOTE BOOK _____
 CHECKED _____
 NO. _____

DATE _____ BY _____
 PROFILE SURVEYED _____
 CHECKED _____
 NO. _____

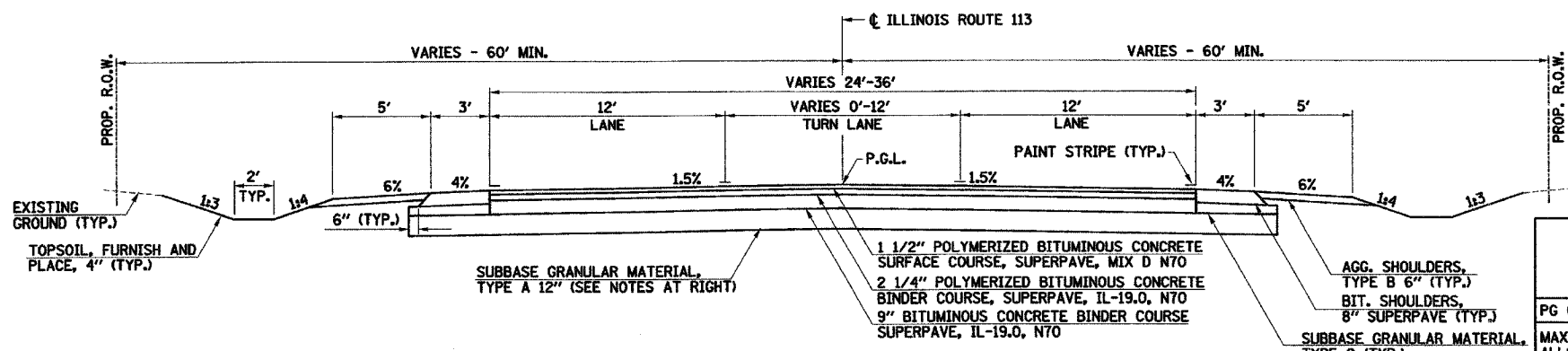


PROPOSED ILLINOIS ROUTE 113 TYPICAL SECTION
 STA. 70+12.93 TO STA. 73+50.00



PROPOSED ILLINOIS ROUTE 113 TYPICAL SECTION
 STA. 73+50.00 TO 76+89.00

NOTES:
 THE DEPTH OF SUBBASE GRANULAR MATERIAL SHALL BE MODIFIED AT THE FOLLOWING LOCATIONS:
 STA. 88+50 TO STA. 94+00 - 27.5"
 STA. 94+00 TO STA. 97+00 - VARIABLE (EXTEND TO TOP OF BEDROCK)
 PIPE UNDERDRAINS, 4" SHALL BE INSTALLED AT THE ABOVE LOCATIONS IN ACCORDANCE WITH STANDARD 601001. SEE THE SCHEDULE OF QUANTITIES FOR OUTLET LOCATIONS.
 SEE STANDARD 482001 FOR SHOULDER SLOPES WHEN ADJACENT TO SUPERELEVATED PAVEMENT.

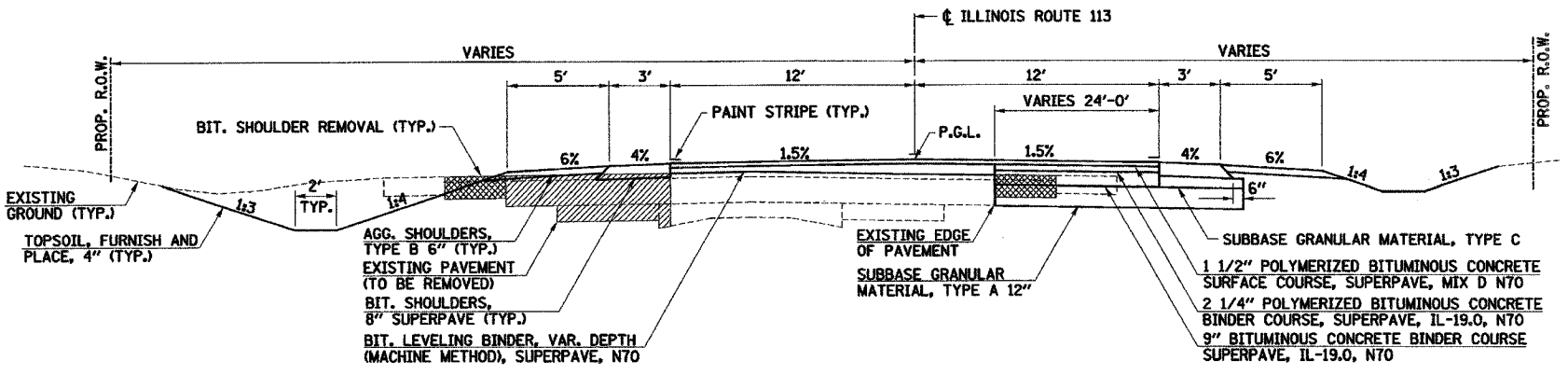


PROPOSED ILLINOIS ROUTE 113 TYPICAL SECTION
 STA. 76+89.00 TO STA. 83+90.00
 STA. 85+40.00 TO STA. 93+61.00

MIX DESIGN

	SUPERPAVE BINDER TOP LIFT	SUPERPAVE LEVEL BINDER	SUPERPAVE SURFACE	SUPERPAVE BINDER BOTTOM LIFT(S)	SUPERPAVE SURFACE FOR DETOURS	SUPERPAVE SHOULDERS	SUPERPAVE BINDER FOR DETOURS	SUPERPAVE BASE COURSE WIDENING ON TOWER
PG GRADE	SBS PG64-28	PG64-22	SBS PG64-28	PG64-22	PG64-22	PG58-22	PG64-22	PG64-22
MAX % RAP ALLOWABLE*	0%	10%	0%	15%	10%	30%	15%	25%
DESIGN AIR VOIDS	4.0% ± N70	4.0% ± N70	4.0% ± N70	4.0% ± N70	4.0% ± N70	2.0% ± N50	4.0% ± N70	4.0% ± N50
MIXTURE COMPOSITION	IL 19.0	IL 9.5	IL 12.5 OR IL 9.5	IL 19.0	IL 12.5 OR IL 9.5	BAM	IL 19.0	IL 19.0
FRICTION AGGREGATE			MIXTURE D		MIXTURE D			
PLANT CONTROL LIMITS	CLASS I	CLASS I	CLASS I	CLASS I	CLASS I	NON-CLASS I	CLASS I	CLASS I
DENSITY CONTROL METHOD	CORRELATION		CORRELATION	CORRELATION	CORES	% GROWTH CURVE	CORRELATION	CONTRACTOR OPTION

* IF RAP OPTION IS SELECTED, THE ASPHALT CEMENT GRADE MAY NEED TO BE ADJUSTED. THIS WILL BE DETERMINED BY THE ENGINEER.



PROPOSED ILLINOIS ROUTE 113 TYPICAL SECTION
 STA. 83+90.00 TO STA. 84+65.00 (AS SHOWN)
 STA. 84+65.00 TO STA. 85+40.00 (MIRROR ABOVE TYPICAL ABOUT CENTERLINE)

ILLINOIS DEPARTMENT OF TRANSPORTATION
 FAU 6194 (ILLINOIS ROUTE 113)
 TYPICAL SECTIONS
 ILLINOIS ROUTE 113

SCALE: VERT. _____
 HORIZ. _____
 DATE _____ DRAWN BY _____
 CHECKED BY _____

*****DATE*****