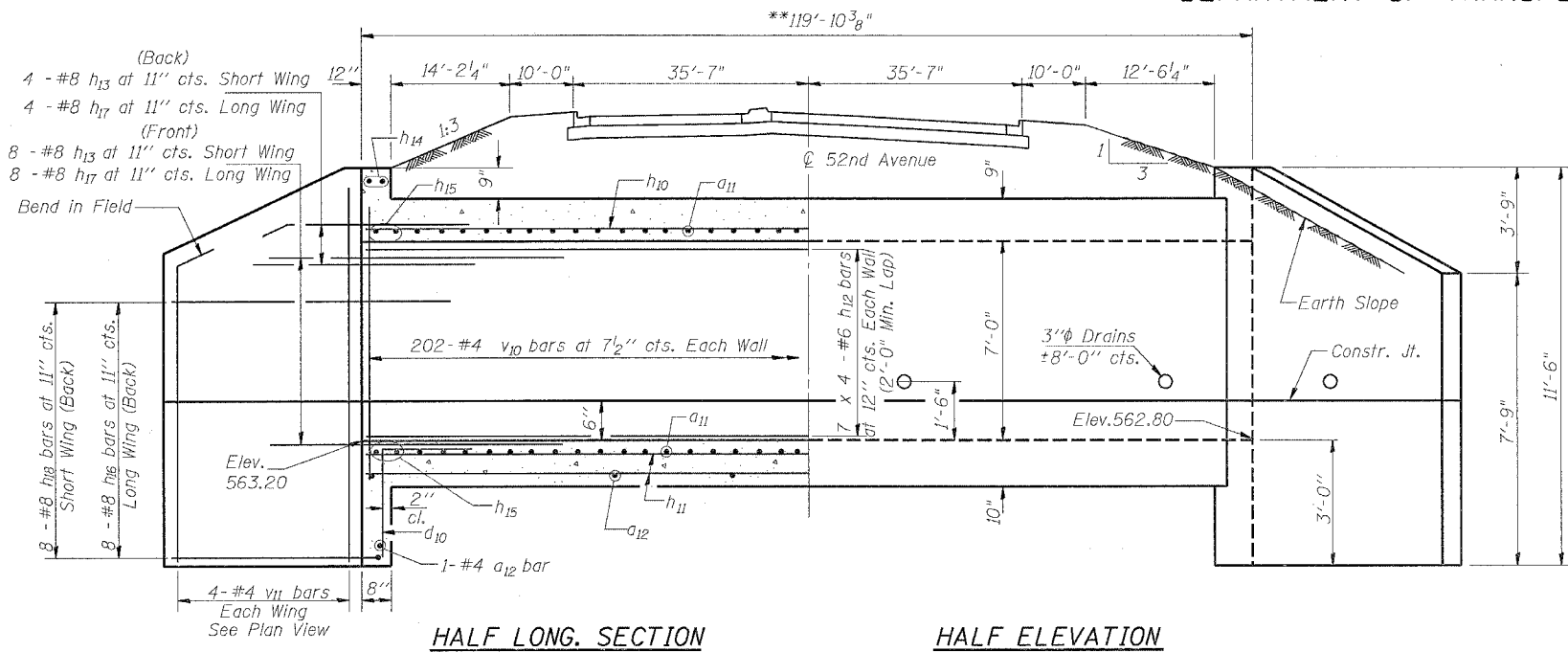


STATE OF ILLINOIS
DEPARTMENT OF TRANSPORTATION

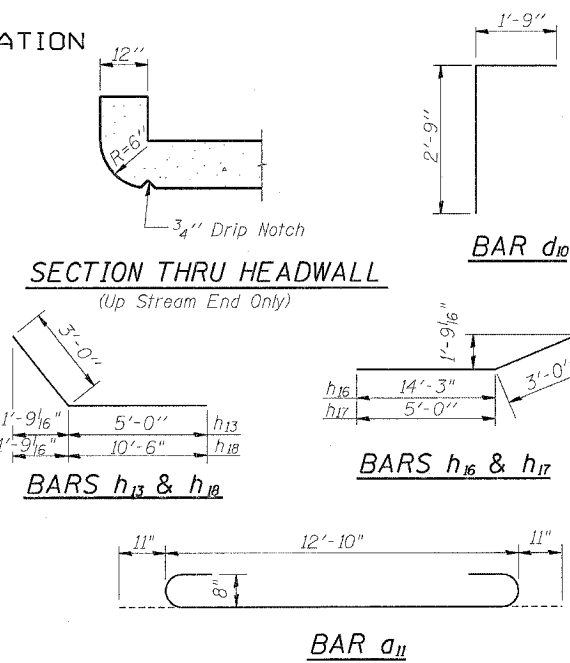
ROUTE NO.	SECTION	COUNTY	STATION	SHEET NO.	SHEET NO. 1
F.A.P. 595	I-3-K	Rock Island	476	286	1 SHEETS
FED. ROAD DIST. NO. 7	ILLINOIS	FED. AID PROJECT-			



HALF LONG SECTION

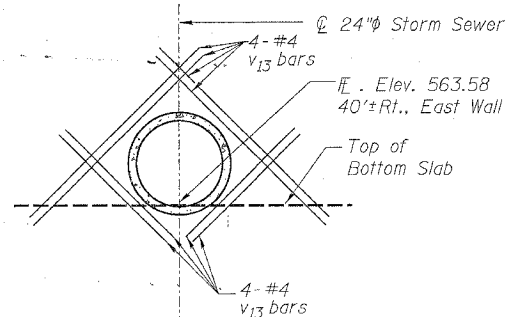
HALF ELEVATION

** Dimensions at Rt. L's to the Tangent
to \odot of 52nd Avenue \odot Sta. 1169+81.51

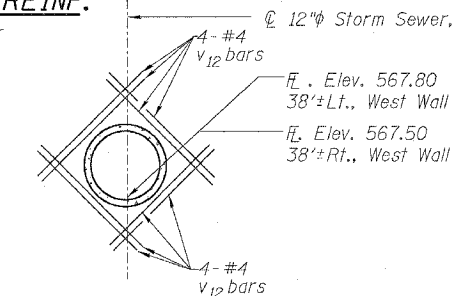


SECTION THRU HEADWALL
(Up Stream End Only)

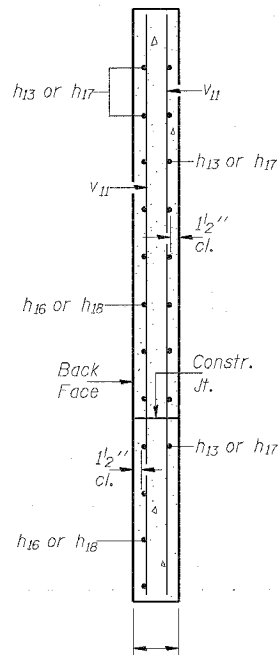
SECTION THRU BARREL



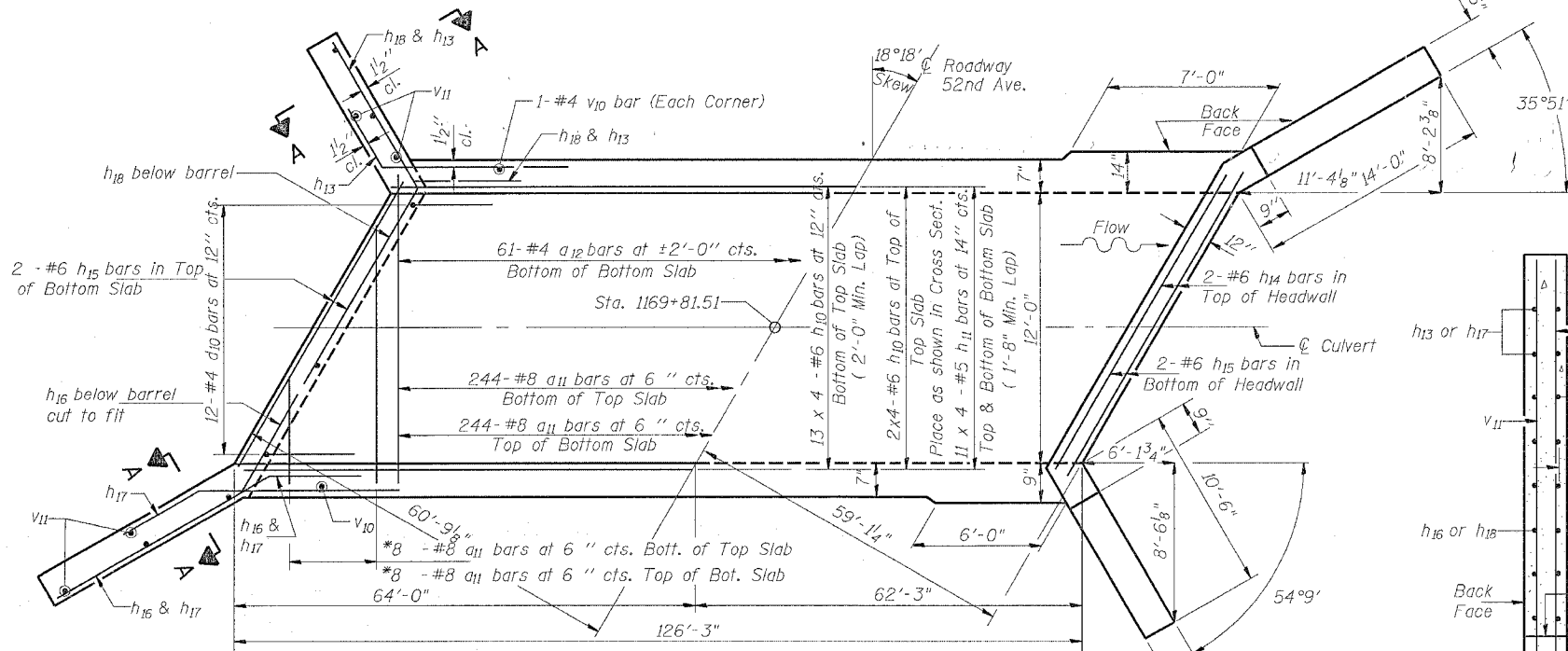
WALL OPENING REINF.
24" Storm Sewer



WALL OPENING REINF.
12" Storm Sewer



SECTION A-A



SHOWING REINFORCEMENT

SHOWING OUTLINES

PLAN

* a bars in skew portion of slab shall be ordered full length & cut to fit. Balance of bar to be used in opposite end of culvert.

WATERWAY INFORMATION

Drainage Area = 183 Acres		Low Grade Elev. 571.50 \odot Sta. 1172+00				
Flood	Freq. Yr.	Q C.F.S.	Opening Sq. Ft.	Nat. H.W.E.	Head - Ft.	Headwater El.
			Exist. Prop.	Exist. Prop.	Exist. Prop.	Exist. Prop.
Design	50	282	52.6	565.16	2.42	567.58
Base	100	314	56.5	565.30	2.61	567.91
Overtopping	-	-	-	-	-	-
Max. Calc.	500	N/A	-	-	-	-

DESIGNED	BDF
CHECKED	BDF
DRAWN	RAP
CHECKED	BDF

SSB-H-R 6-1-2000

BILL OF MATERIAL

Bar	No.	Size	Length	Shape
a11	504	#8	14'-8"	
a12	63	#4	12'-3"	
d10	24	#4	4'-6"	
h10	60	#6	33'-3"	
h11	88	#5	33'-0"	
h12	56	#6	33'-3"	
h13	24	#8	8'-0"	
h14	4	#6	13'-6"	
h15	8	#6	13'-6"	
h16	16	#8	17'-3"	
h17	24	#8	8'-0"	
h18	16	#8	13'-6"	
v10	408	#4	8'-3"	
v11	16	#4	11'-2"	
v12	16	#4	3'-3"	
v13	8	#4	3'-9"	
Concrete Box Culverts	Cu. Yd.		162.1	
Reinforcement Bars	Pound		34,160	

NOTES

A distance of half the length of the wingwall but not less than six feet of the barrel shall be poured monolithically with the wingwalls.
Reinforcement Bars shall conform to the requirements of AASHTO M-31, M-42 or M-53, Grade 60.
Bars indicated thus 12 x 4-#5 etc. indicates 12 lines of bars with 4 lengths per line.
All construction joints shall be bonded.
Precast culvert alternate is not allowed.

DESIGN STRESSES

$f_y = 60,000$ psi
 $f'_c = 3,500$ psi

LOADING HS 20-44 & ALT.

12'-0" x 7'-0" R.C. BOX CULVERT
52nd AVENUE

FA ROUTE 595 SECTION I-3-K
ROCK ISLAND COUNTY
STATION 1169+81.51