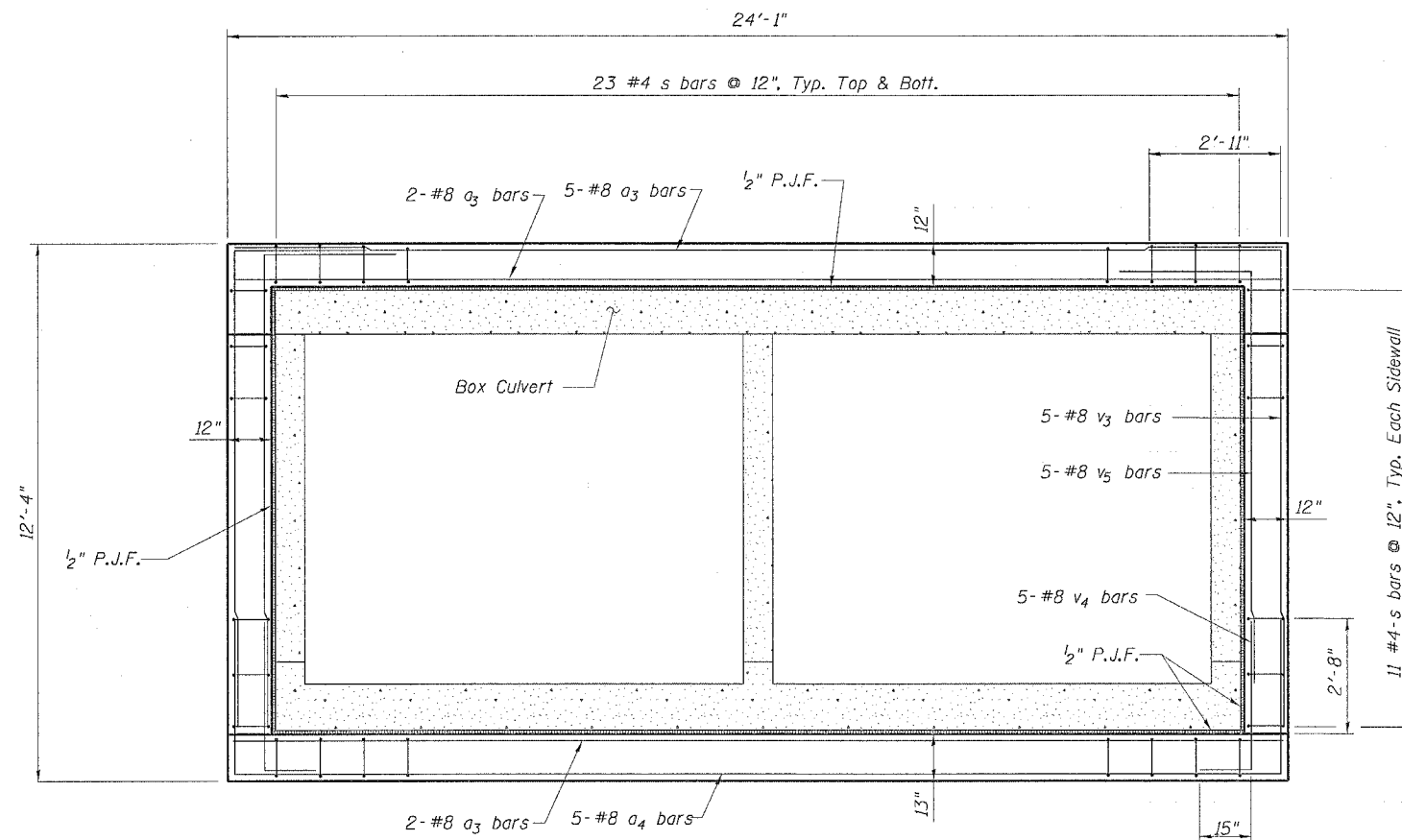
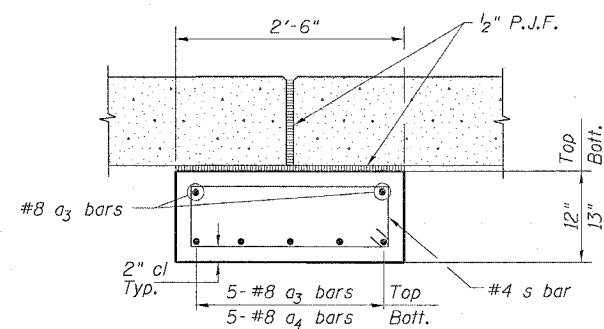


STATE OF ILLINOIS  
DEPARTMENT OF TRANSPORTATION

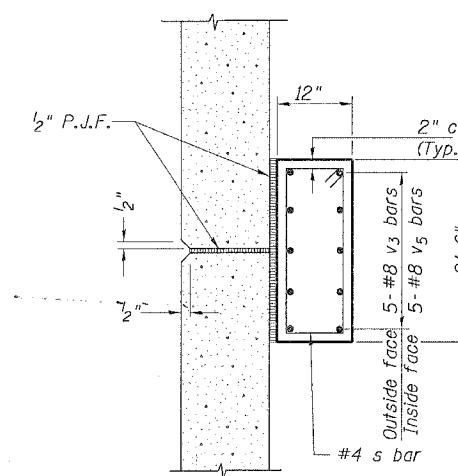
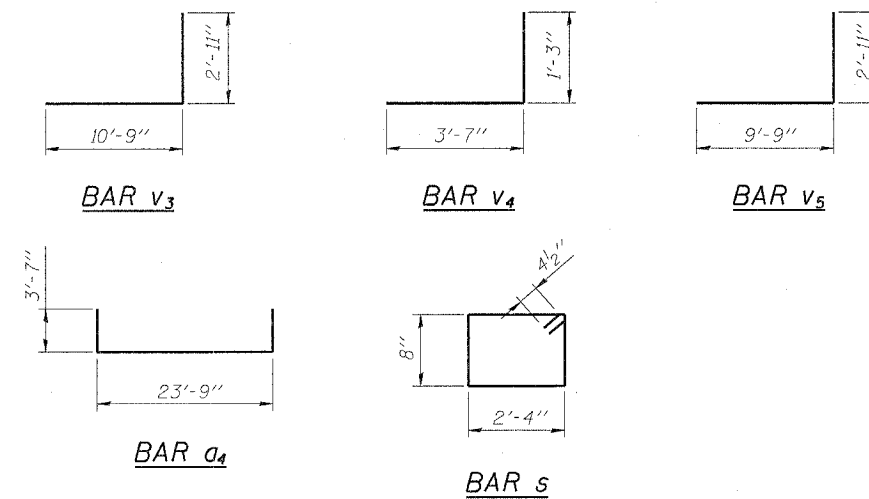
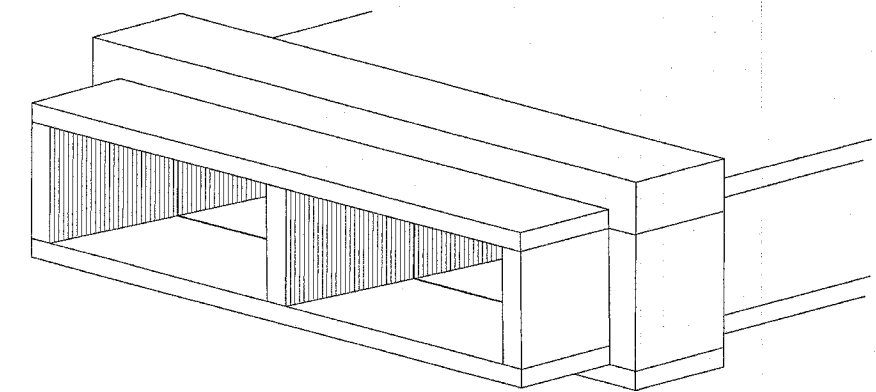
ROUTE NO. F.A.P. 595	SECTION 1-3-K	COUNTY Rock Island	SHEET 476	SHEET 278	SHEET NO. 5 7 SHEETS
FED. ROAD DIST. NO. 7		ILLINOIS FED. AID PROJECT-			



SECTION THRU BOX AT COLLAR



SECTION THRU TOP & BOTTOM SLAB



SECTION THRU SIDEWALL

BILL OF MATERIAL  
TWO SETTLEMENT COLLARS

Bar	No.	Size	Length	Shape
a <sub>3</sub>	18	#8	23'-9"	—
a <sub>4</sub>	10	#8	30'-11"	⌊
s	136	#4	6'-9"	⌊
v <sub>3</sub>	20	#8	13'-8"	—
v <sub>4</sub>	20	#8	4'-10"	—
v <sub>5</sub>	20	#8	12'-8"	—
Concrete Box Culverts			Cu. Yd.	13.0
Reinforcement Bars			Pound	4,260

SETTLEMENT COLLAR DETAILS

52ND AVENUE EXTENSION  
OVER AN UNNAMED STREAM  
FAU ROUTE 5822 SECTION 1-3  
ROCK ISLAND COUNTY  
STATION 1155+00  
STRUCTURE NO. 081-2035

DESIGNED	JDC
CHECKED	BDF
DRAWN	RAP
CHECKED	BDF