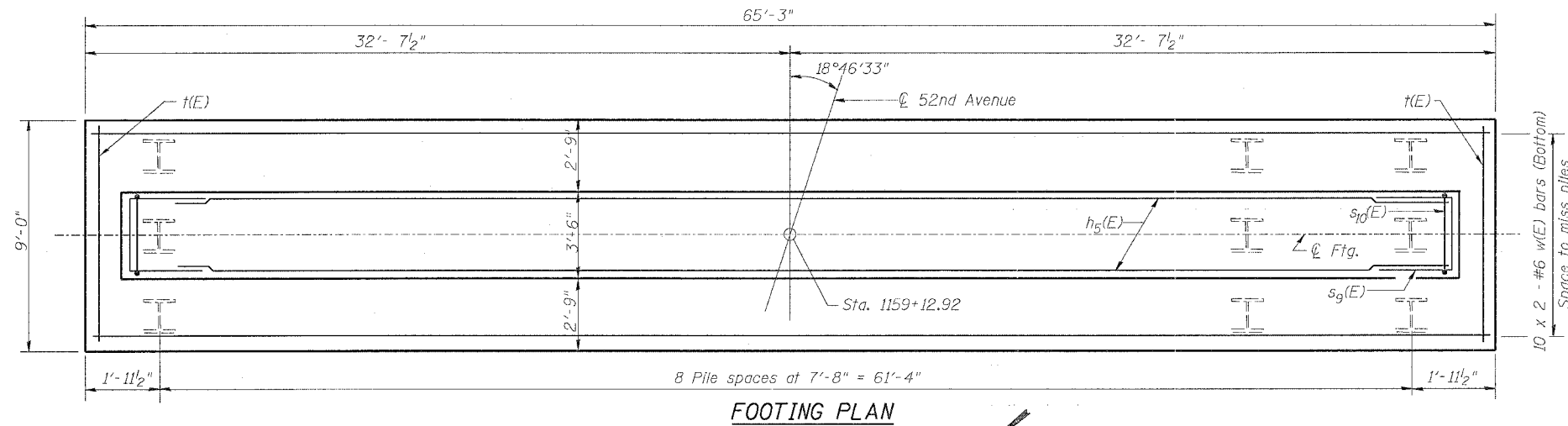
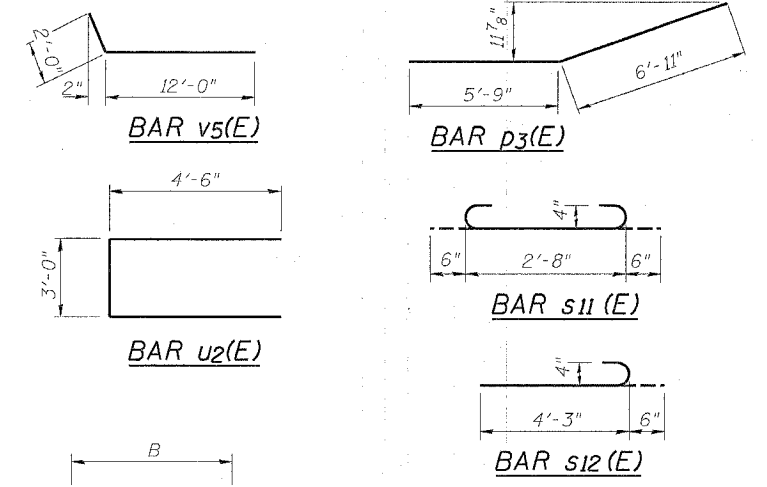


STATE OF ILLINOIS
DEPARTMENT OF TRANSPORTATION

ROUTE NO.	SECTION	COUNTY	SHEETS	SHEET	SHEET NO.
F.A.P. 595	I-3-K	Rock Island	476	270	22 SHEETS
FED. ROAD DIST. NO. 7	ELLIPSES	FED. AID PROJECT-			



FOOTING PLAN

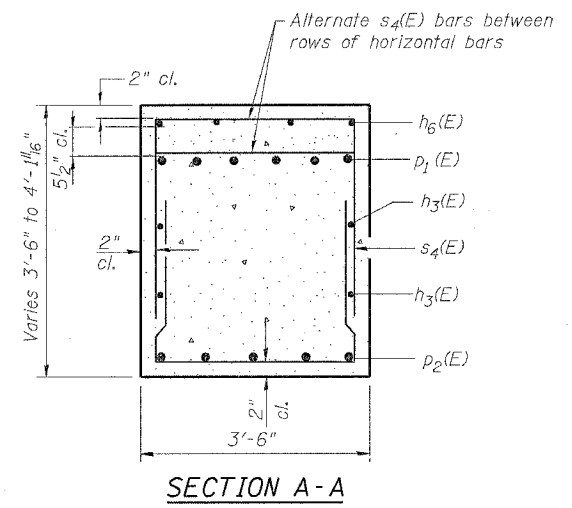


BARS
s₄(E) thru s₁₀(E)
A & B DIMENSIONS

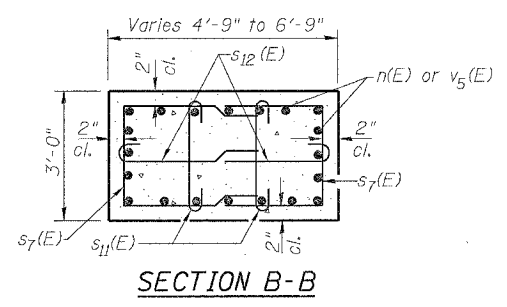
Bar	A	B
s ₄ (E)	3'-0"	3'-2"
s ₅ (E)	2'-2"	3'-2"
s ₆ (E)	2'-8"	3'-2"
s ₇ (E)	4'-5"	2'-8"
s ₈ (E)	4'-0"	3'-2"
s ₉ (E)	4'-6"	3'-2"
s ₁₀ (E)	4'-10"	3'-2"

BILL OF MATERIAL

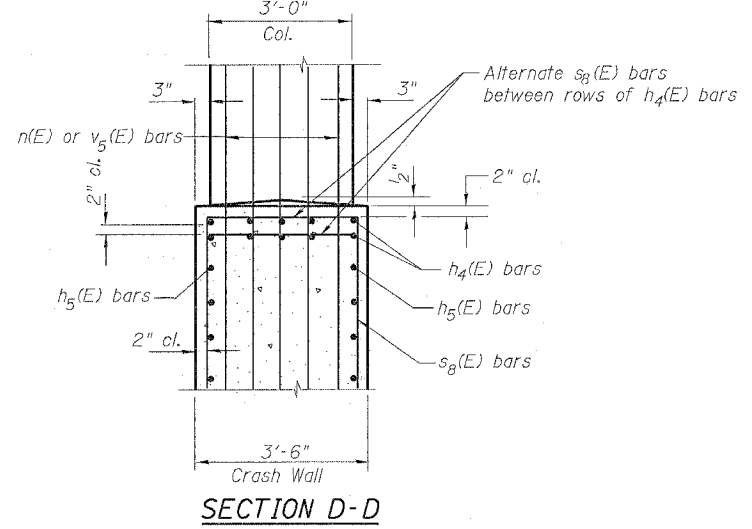
Bar	No.	Size	Length	Shape
h ₃ (E)	8	#5	39'-7"	—
h ₄ (E)	20	#9	34'-4"	—
h ₅ (E)	20	#6	32'-9"	—
h ₆ (E)	4	#5	26'-1"	—
n (E)	100	#11	14'-7"	—
p ₁ (E)	12	#11	42'-11"	—
p ₂ (E)	10	#9	34'-4"	—
p ₃ (E)	10	#9	12'-8"	—
p ₄ (E)	12	#11	19'-10"	—
s ₄ (E)	218	#6	9'-2"	□
s ₅ (E)	28	#6	7'-6"	□
s ₆ (E)	28	#6	8'-6"	□
s ₇ (E)	130	#5	11'-6"	□
s ₈ (E)	64	#6	11'-2"	□
s ₉ (E)	12	#5	12'-2"	□
s ₁₀ (E)	64	#6	12'-10"	□
s ₁₁ (E)	130	#4	3'-8"	—
s ₁₂ (E)	130	#4	4'-9"	—
t (E)	100	#7	8'-8"	—
u ₂ (E)	6	#6	12'-0"	—
v ₅ (E)	100	#11	14'-0"	—
w (E)	20	#6	33'-9"	—
Structure Excavation		Cu. Yd.	100	
Concrete Structures		Cu. Yd.	161.5	
Reinforcement Bars, Epoxy Coated		Pound	35,860	
Furnishing Steel Piles HP 10x57		Foot	806	
Driving Steel Piles		Foot	806	
Metal Shoes		Each	26	
Test Pile Steel HP 10x57		Each	1	



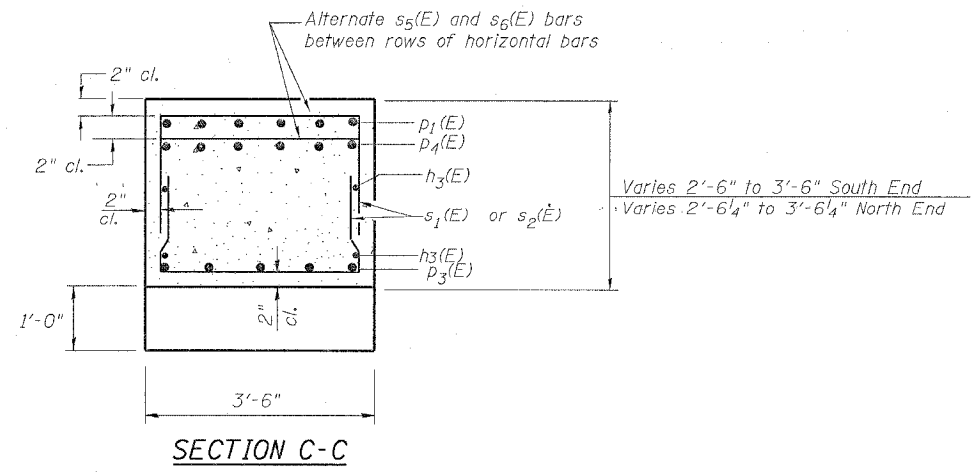
SECTION A-A



SECTION B-B



SECTION D-D



SECTION C-C

DESIGNED	JDC
CHECKED	JBF
DRAWN	RAP
CHECKED	JBF

Reinforcement Bars designated (E) shall be epoxy coated.

PIER DETAILS

52nd AVE. OVER MILAN BELTWAY
FAU ROUTE 5822 SECTION I-3
ROCK ISLAND COUNTY
STATION 1159+12.92
STRUCTURE NO. 081-0156