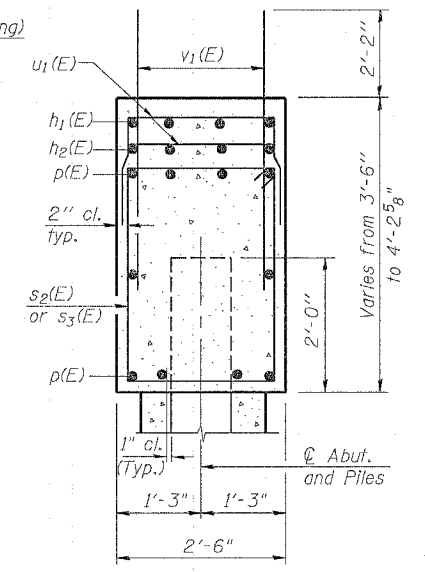
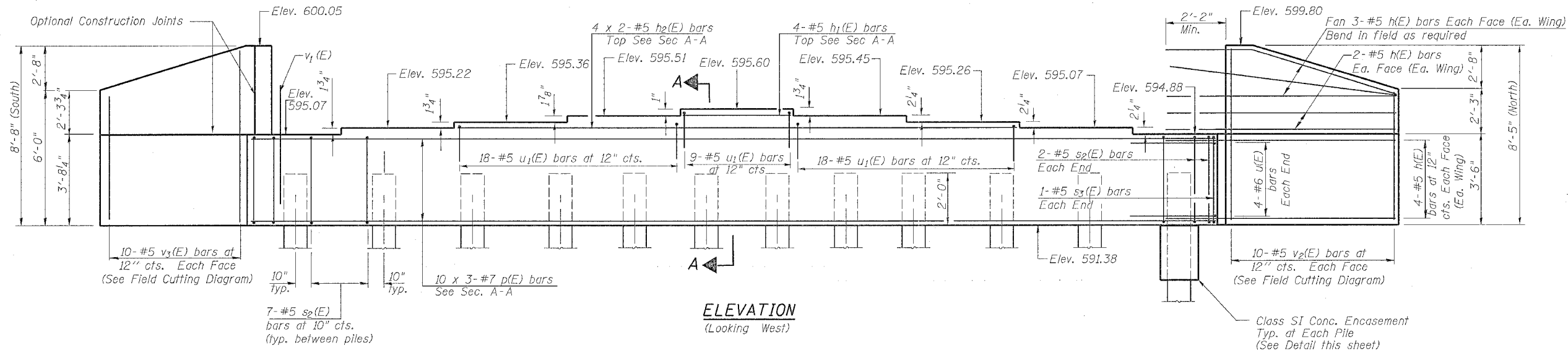


STATE OF ILLINOIS
DEPARTMENT OF TRANSPORTATION

ROUTE NO.	SECTION	COUNTY	SHEET NO.	SHEET NO.
F.A.P. 595	I-3-K	Rock Island	476	267
FED. ROAD DIST. NO. 7		ILLINOIS	FED. AID PROJECT-	

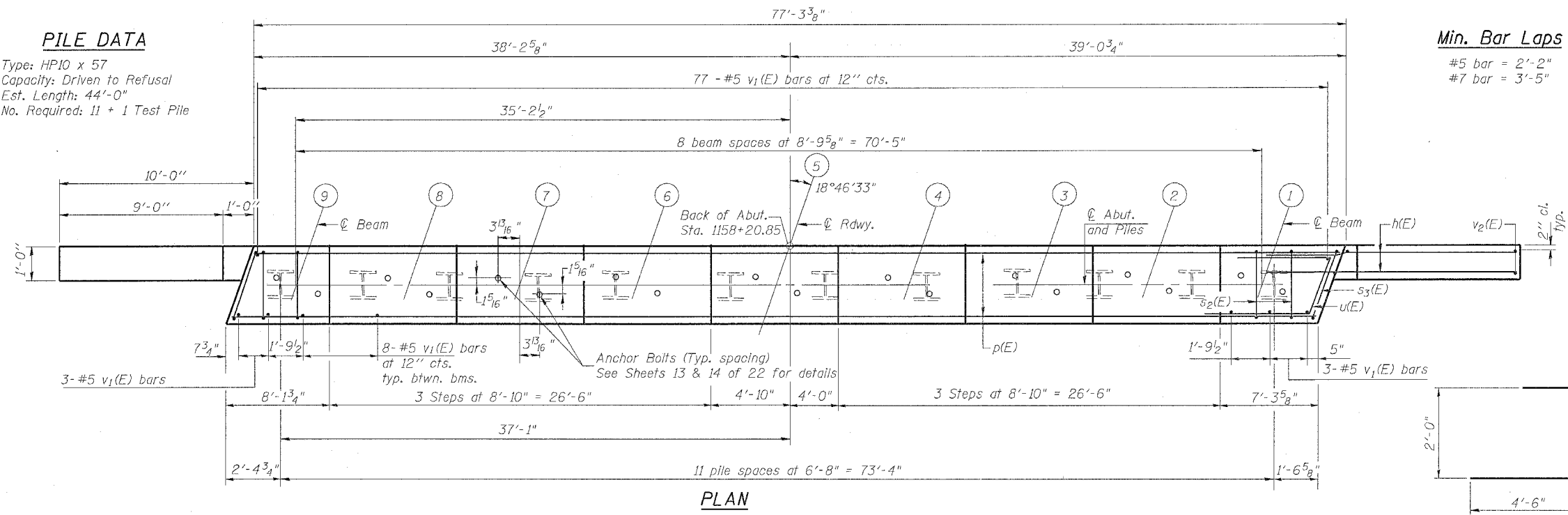
SHEET NO. 16
22 SHEETS

Notes: Pour steps monolithically with cap.
Reinforcement bars designated (E)
shall be epoxy coated.
Bars designated thus 10 x 3-#7 indicates
10 lines of #7 bars with 3 lengths
per line.



PILE DATA

Type: HP10 x 57
Capacity: Driven to Refusal
Est. Length: 44'-0"
No. Required: 11 + 1 Test Pile

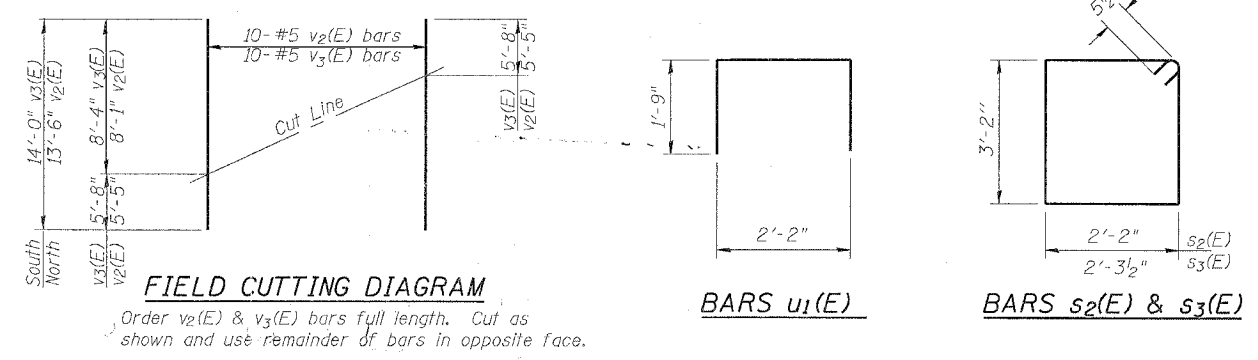
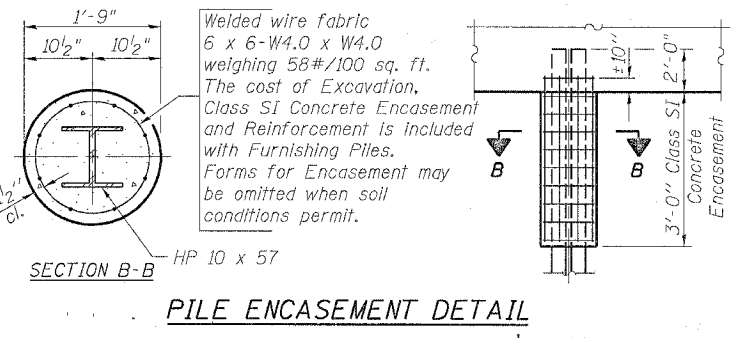


Min. Bar Laps

#5 bar = 2'-2"
#7 bar = 3'-5"

BILL OF MATERIAL

Bar	No.	Size	Length	Shape
h(E)	36	#5	12'-7"	—
h1(E)	4	#5	8'-6"	—
h2(E)	8	#5	23'-0"	—
p(E)	30	#7	28'-0"	—
s2(E)	81	#5	11'-7"	□
s3(E)	2	#5	11'-10"	□
u(E)	8	#6	11'-1"	┌
u1(E)	45	#5	5'-8"	┌
v1(E)	147	#5	4'-4"	—
v2(E)	10	#5	13'-6"	—
v3(E)	10	#5	14'-0"	—
Concrete Structures	Cu. Yd.		33.4	
Reinforcement Bars, Epoxy Coated	Pound		4,770	
Furnishing Steel Piles HP10x57	Foot		484	
Driving Steel Piles	Foot		484	
Test Pile Steel HP10x57	Each		1	
Structure Excavation	Cu. Yd.		174	
Metal Shoes	Each		11	



DESIGNED	JBF
CHECKED	JBF
DRAWN	RAP
CHECKED	JBF

AI-R 9-01-03

WEST ABUTMENT DETAILS

52nd AVE. OVER MILAN BELTWAY
FAU ROUTE 5822 SECTION I-3
ROCK ISLAND COUNTY
STATION 1159+12.92
STRUCTURE NO. 081-0156