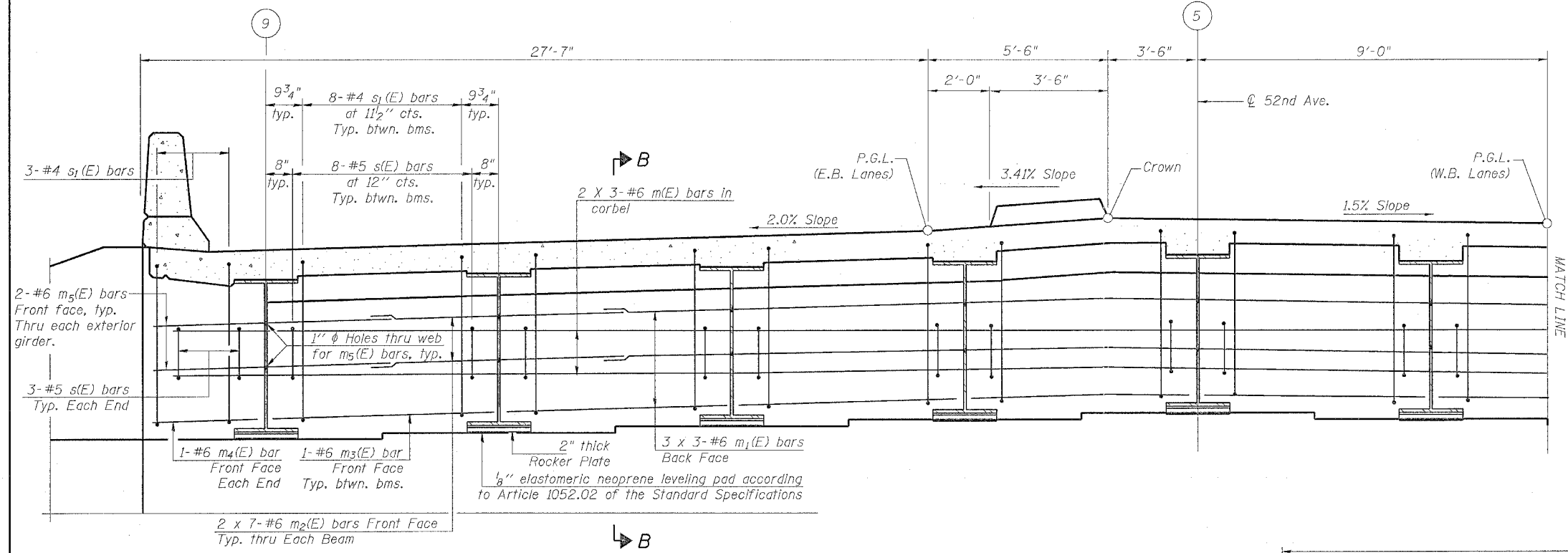


STATE OF ILLINOIS  
DEPARTMENT OF TRANSPORTATION

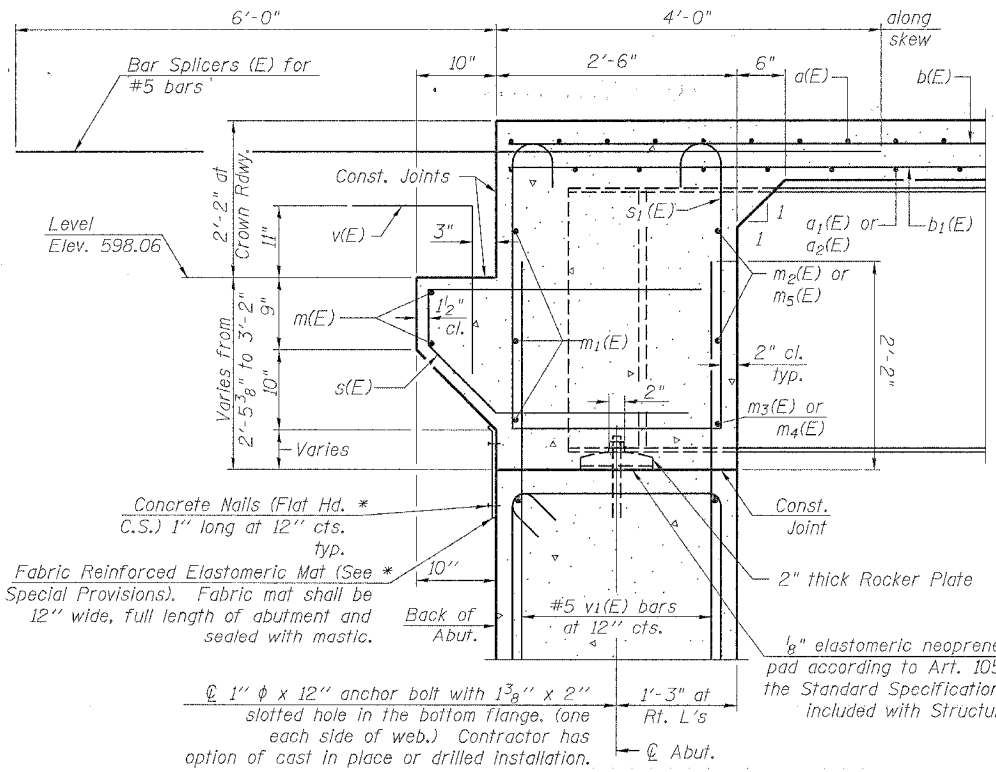
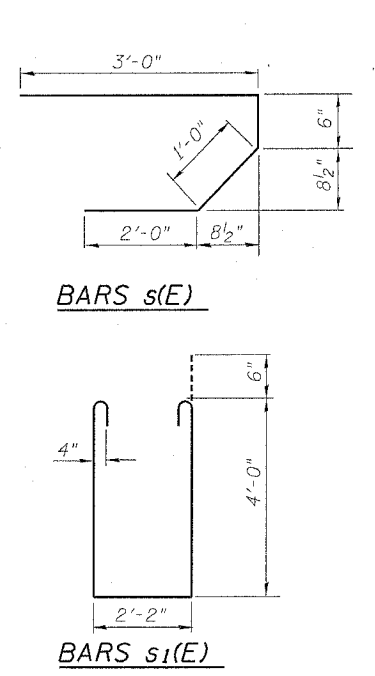
ROUTE NO.	SECTION	COUNTY	SHEET	SHEET	SHEET NO.
F.A.P. 595	1-3-K	Rock Island	476	260	22 SHEETS
FED. ROAD DIST. NO. 7	ILLINOIS	FED. AID PROJECT-			



**PARTIAL DIAPHRAGM ELEVATION AT ABUTMENT**  
(Looking West)  
(Dimensions are @ Rt. L's @ 52nd Ave.)

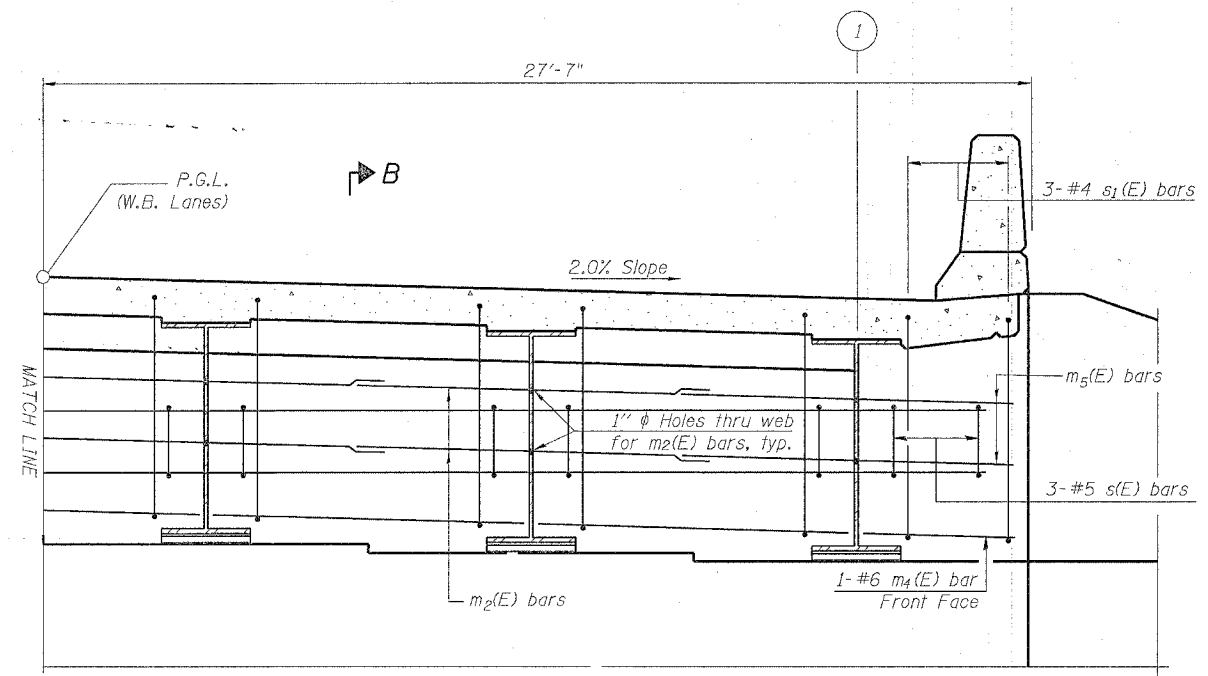
Notes:  
Reinforcement bars in diaphragm are billed with superstructure on sheet 8 of 22.  
Concrete in diaphragm is included with Concrete Superstructure on sheet 8 of 22.  
For details of bars s(E) & s1(E) see this sheet.  
For details of bar v(E) see sheet 8 of 22.  
The s(E) and s1(E) bars shall be placed parallel to the beams. Spacing for these bars shall be at right angles to the beams.  
For anchor bolt details see sheet 14 of 22.

**MIN. BAR LAP**  
#6 bar = 2'-9"



**SECTION B-B**

Dimensions at right angles to abutment, except as shown.  
\*Cost included with Concrete Superstructure.



**PARTIAL DIAPHRAGM ELEVATION AT ABUTMENT**  
(Looking West)  
(Dimensions are @ Rt. L's @ 52nd Ave.)

**DIAPHRAGM DETAILS AT WEST ABUTMENT**

52nd AVE. OVER MILAN BELTWAY  
FAU ROUTE 5822 SECTION 1-3  
ROCK ISLAND COUNTY  
STATION 1159+12.92  
STRUCTURE NO. 081-0156

DESIGNED	JBF
CHECKED	JBF
DRAWN	RAP
CHECKED	JBF