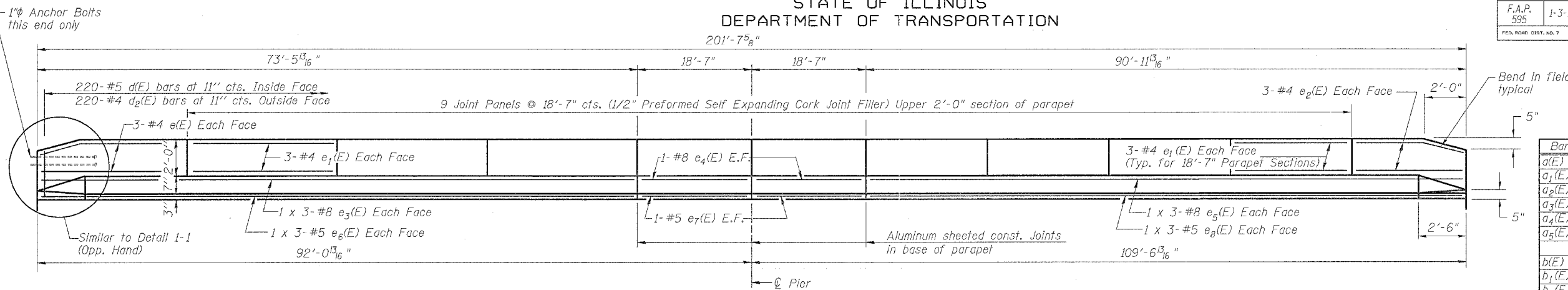
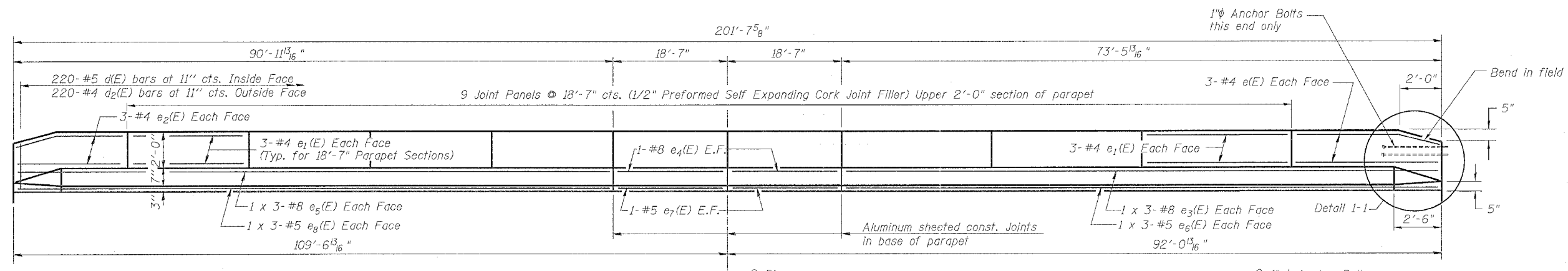


STATE OF ILLINOIS  
DEPARTMENT OF TRANSPORTATION

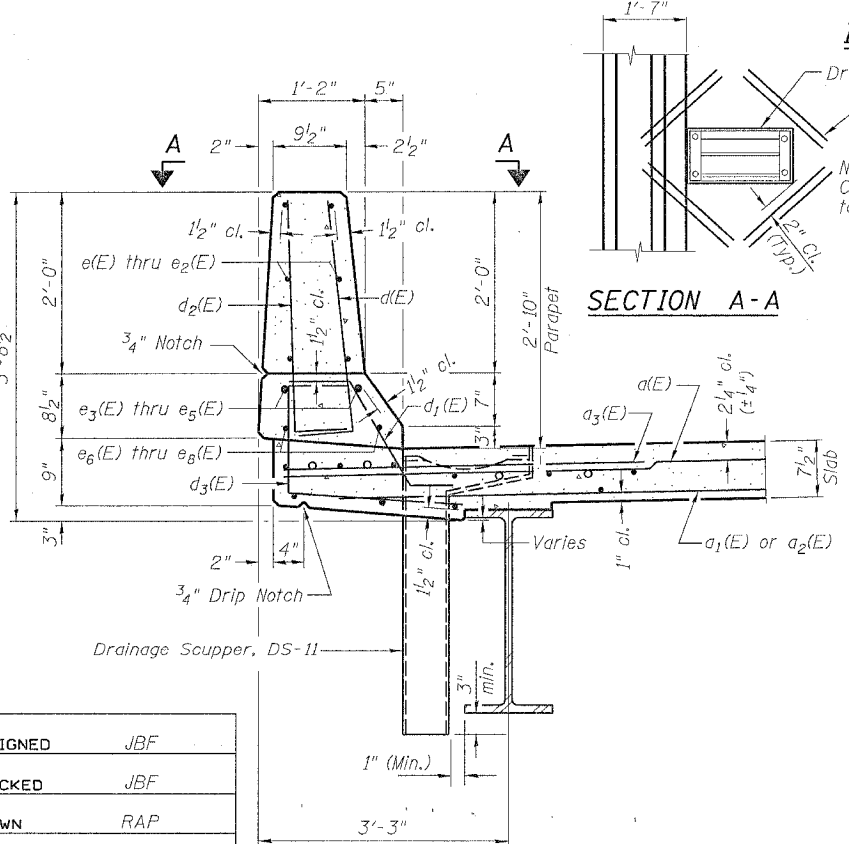
ROUTE NO.	SECTION	COUNTY	SHEETS	SHEET NO.
F.A.P. 595	I-3-K	Rock Island	476	259
FED. ROAD DIST. NO. 7		ILLINOIS	FED. AID PROJECT	22 SHEETS



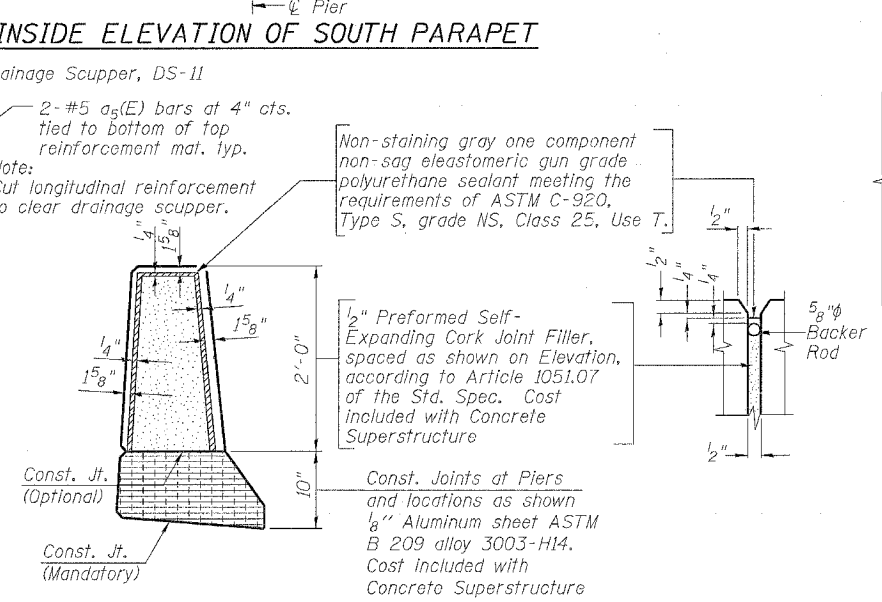
INSIDE ELEVATION OF NORTH PARAPET



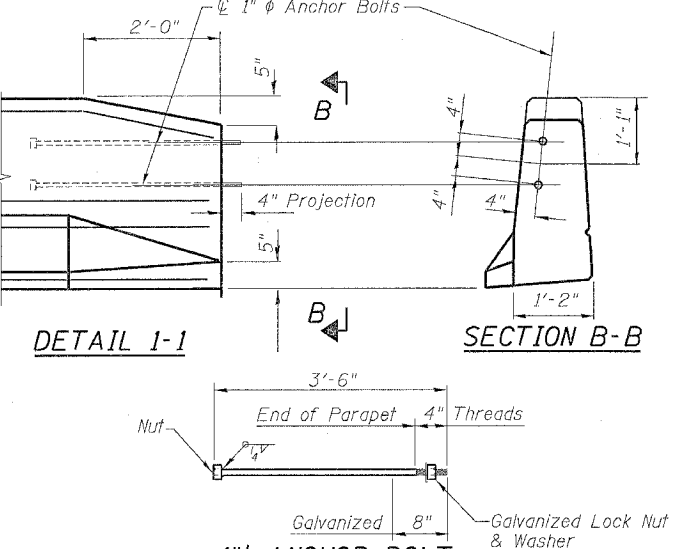
INSIDE ELEVATION OF SOUTH PARAPET



SECTION THRU PARAPET

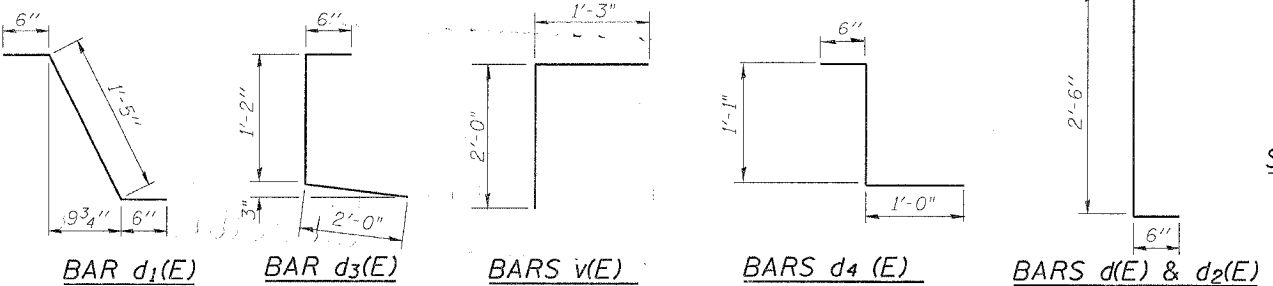


PARAPET JOINT DETAILS



DETAIL 1-1

SECTION B-B



SUPERSTRUCTURE  
BILL OF MATERIAL

Bar	No.	Size	Length	Shape
a(E)	878	#5	37'-1"	—
a1(E)	322	#5	40'-0"	—
a2(E)	322	#5	33'-5"	—
a3(E)	436	#6	4'-6"	—
a4(E)	8	#5	39'-2"	—
a5(E)	48	#5	1'-6"	—
b(E)	456	#5	35'-0"	—
b1(E)	146	#6	36'-6"	—
b2(E)	490	#5	30'-3"	—
b3(E)	28	#5	30'-3"	—
c1(E)	203	#5	3'-0"	—
c2(E)	406	#5	1'-9"	—
d(E)	440	#5	3'-0"	—
d1(E)	428	#5	2'-5"	—
d2(E)	440	#4	3'-0"	—
d3(E)	440	#4	3'-8"	—
d4(E)	12	#5	2'-7"	—
e(E)	12	#4	17'-4"	—
e1(E)	108	#4	18'-3"	—
e2(E)	12	#4	16'-4"	—
e3(E)	12	#8	26'-8"	—
e4(E)	8	#8	18'-3"	—
e5(E)	12	#8	32'-6"	—
e6(E)	12	#5	25'-6"	—
e7(E)	8	#5	18'-3"	—
e8(E)	12	#5	31'-4"	—
m(E)	12	#6	27'-6"	—
m1(E)	18	#6	27'-6"	—
m2(E)	28	#6	11'-6"	—
m3(E)	16	#6	8'-5"	—
m4(E)	4	#6	3'-0"	—
m5(E)	8	#6	9'-0"	—
s(E)	140	#5	6'-6"	—
s1(E)	140	#4	11'-2"	—
v(E)	140	#5	3'-3"	—
Reinforcement Bars, Epoxy Coated		Pound	118,240	
Concrete Superstructure		Cu. Yds.	487.6	

Reinforcement bars designated (E) shall be epoxy coated.  
Bars indicated thus 1 x 3-#5 etc. indicates 1 line of bars with 3 lengths per line.

MIN. BAR LAPS

- #4 BAR = 1'-4"
- #5 BAR = 1'-8"
- #8 BAR = 3'-5"

SUPERSTRUCTURE DETAILS

52nd AVE. OVER MILAN BELTWAY  
FAU ROUTE 5822 SECTION I-3  
ROCK ISLAND COUNTY  
STATION 1159+12.92  
STRUCTURE NO. 081-0156

DESIGNED	JBF
CHECKED	JBF
DRAWN	RAP
CHECKED	JBF