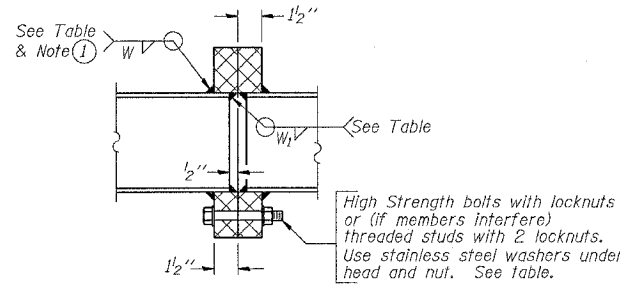


F.A.P. RTE.	SECTION	COUNTY	TOTAL SHEETS	SHEET NO.
595	I-3-K	ROCKISLAND	476	239B
STA.		TO STA.		
FED. ROAD DIST. NO.	ILLINOIS	FED. AID PROJECT		

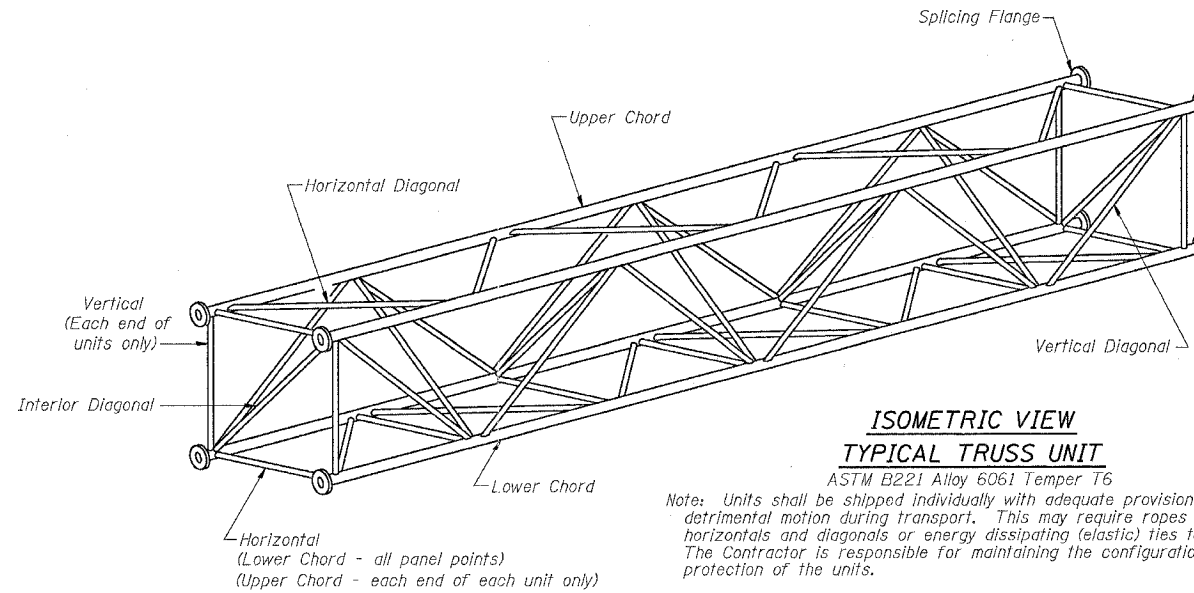
TRUSS UNIT TABLE

Structure Number	Station	Design Truss Type	Exterior Units (2)			Interior Unit			Upper & Lower Chord		Verticals, Horizontals, Vertical, Horizontal, and Interior Diagonals		Camber at Midspan	Splicing Flange						
			No. Panels per Unit	Unit Lgth.(L _u)	Panel Lgth.(P)	No. Req'd.	No. Panels per Unit	Unit Lgth.(L _i)	Panel Lgth.(P)	O.D.	Wall	O.D.		Wall	No./Splice	Weld Sizes		A	B	
																W	W ₁			
2S081NMB35900	359+00	II-A	6	34'-1 1/2"	5'-4 1/2"	1	6	33'-6"	5'-4 1/2"	6"	5/16"	3"	5/16"	3 1/2"	6	1"	3/8"	3/8"	10 1/4"	13 3/4"
2S081NMB38150	381+50	II-A	6	30'-9"	4'-9 3/4"	2	6	30'-1 1/2"	4'-9 3/4"	7"	5/16"	3"	5/16"	4 1/4"	6	1"	5/16"	3/8"	11 1/2"	15"



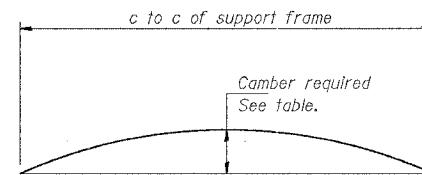
SECTION B-B

① Splicing Flanges shall be attached to each truss unit with the truss shop assembled to camber shown. Truss units shall be in proper alignment and flange surfaces shall be shop bolted into full contact before welding. Sufficient external welds or tacks shall be made to secure flanges until remaining welds are made after disassembly. Adjacent flanges shall be "match marked" to insure proper field assembly.



ISOMETRIC VIEW TYPICAL TRUSS UNIT

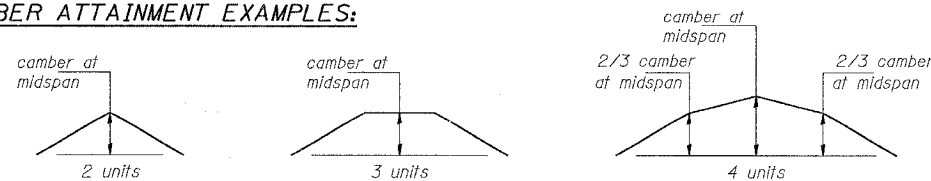
Note: Units shall be shipped individually with adequate provision to prevent detrimental motion during transport. This may require ropes between horizontals and diagonals or energy dissipating (elastic) ties to the vehicle. The Contractor is responsible for maintaining the configuration and protection of the units.



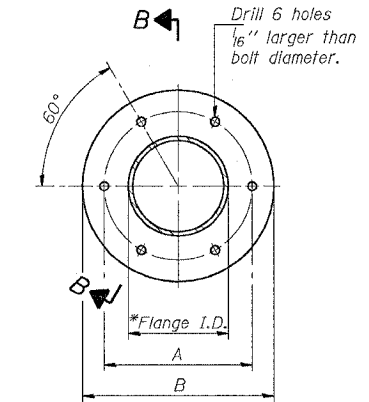
CAMBER DIAGRAM

Camber curve shown is theoretical. Actual camber attained by slope changes at splices between units.

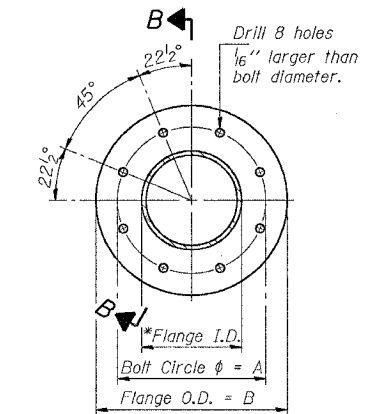
CAMBER ATTAINMENT EXAMPLES:



Camber shown is for fabrication only, measured with truss fully supported. (No-load condition)



TRUSS TYPES I-A, II-A, & III-A



TRUSS TYPES II-A & III-A

SPLICING FLANGES

ASTM B221, Alloy 6061-T6 or ASTM B209, Alloy 6061-T651
*To fit O.D. of Chord with maximum gap of 1/16".

NUMBER	REVISION	DATE

OVERHEAD SIGN STRUCTURES ALUMINUM TRUSS DETAILS FOR TRUSS TYPES I-A, II-A and III-A

REVISIONS		ILLINOIS DEPARTMENT OF TRANSPORTATION
NAME	DATE	

SCALE: VERT. DATE
HORIZ. CHECKED BY
DRAWN BY

PLOT DATE = Wed Jan 26 07:32:16 2005
FILE NAME = C:\p1\proj\11-1\truss.dgn
PLOT SCALE = 20.00000 / IN.
REFERENCE = REF#