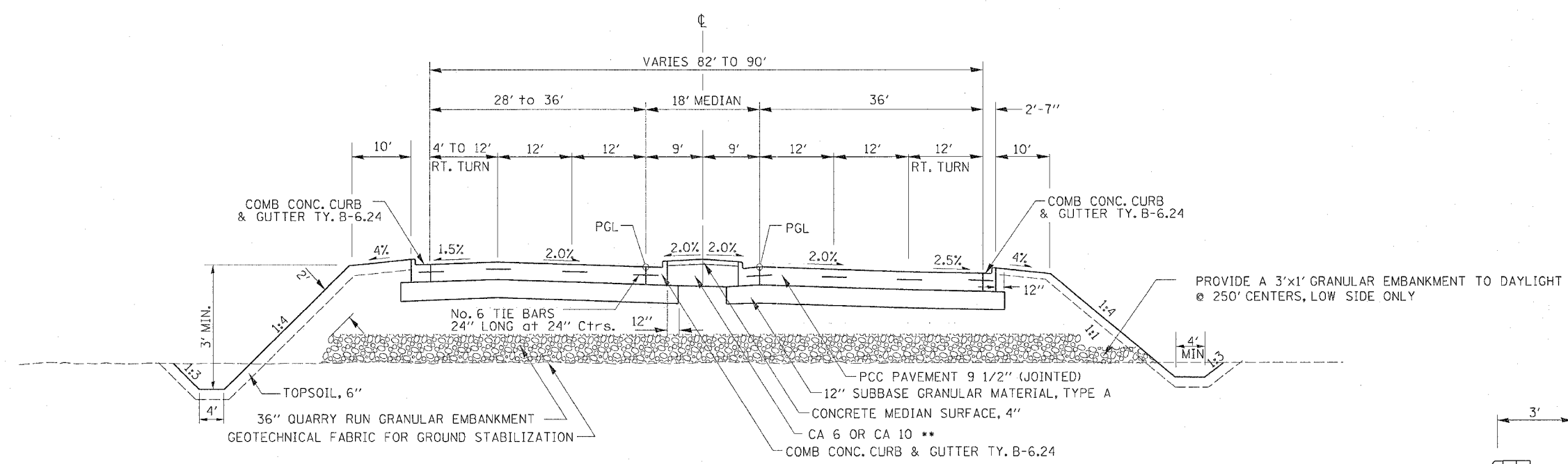


F.A.P. RTE.	SECTION	COUNTY	TOTAL SHEETS	SHEET NO.
595	1-3-K	ROCK ISLAND	476	25
STA.		TO STA.		
FED. ROAD DIST. NO.		ILLINOIS FED. AID PROJECT		

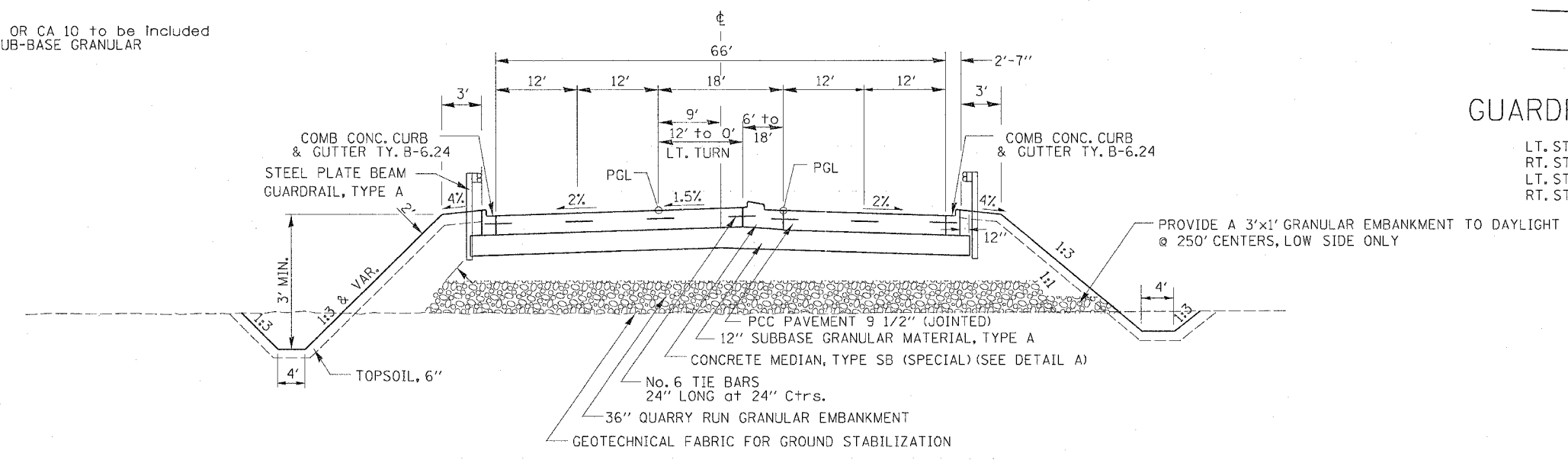
TYPICAL SECTIONS



SUPERELEVATION ATTAINED BY ROTATING ABOUT PGL.

BLACKHAWK ROAD
STA. 1152+50.00 - 1156+87.63

**The cost of CA 6 OR CA 10 to be included in the cost of SUB-BASE GRANULAR MATERIAL, TYPE A



GUARDRAIL SECTIONS

LT. STA. 1157+07 - 1157+80
RT. STA. 1157+15 - 1158+03
LT. STA. 1160+40 - 1163+91
RT. STA. 1160+65 - 1162+00

BLACKHAWK ROAD
STA. 1156+87.63 - 1157+00.00

52ND AVENUE
STA. 1157+00.00 - 1157+90.86
STA. 1160+52.50 - 1161+66.13