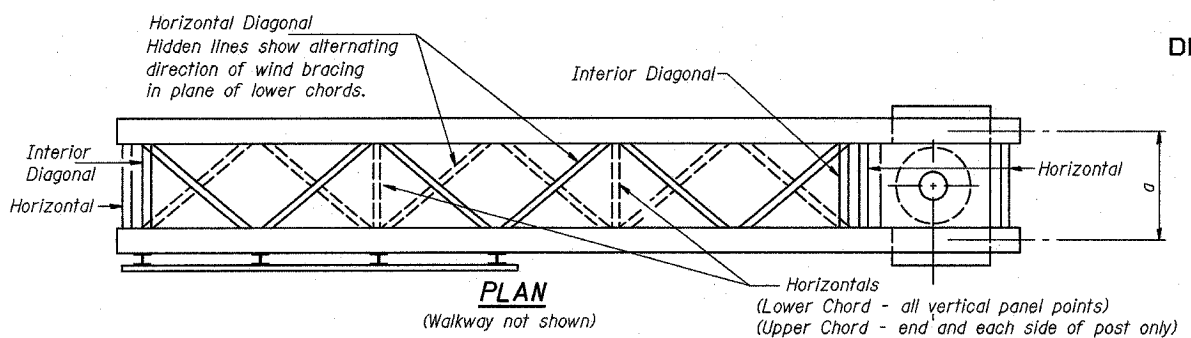


STATE OF ILLINOIS
DEPARTMENT OF TRANSPORTATION

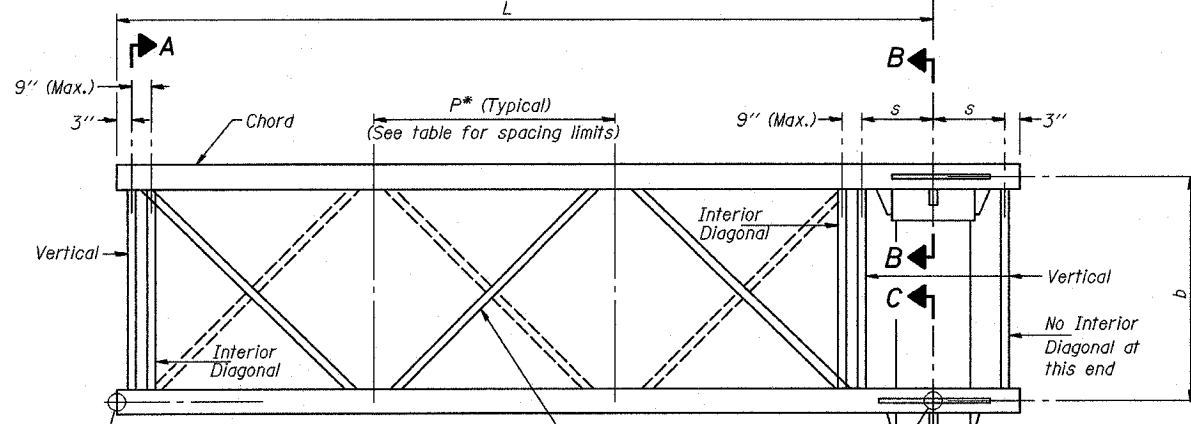
ROUTE NO.	SECTION	QUANTITY	DATE	PROJECT
55	2002-022 K	WILL	17Z	12D
FED. ROAD DIST. NO. 1		ILLINOIS	FED. AID PROJECT	



PLAN

(Walkway not shown)

Horizontals
(Lower Chord - all vertical panel points)
(Upper Chord - end and each side of post only)



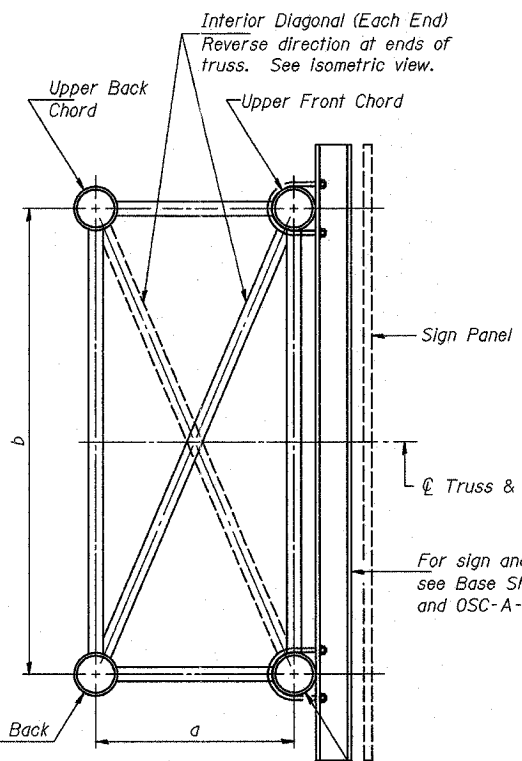
ELEVATION

(Sign and walkway omitted for clarity)

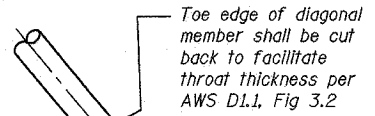
TYPICAL TRUSS UNIT

For Section B-B and Section C-C, see Base Sheet OSC-A-3.

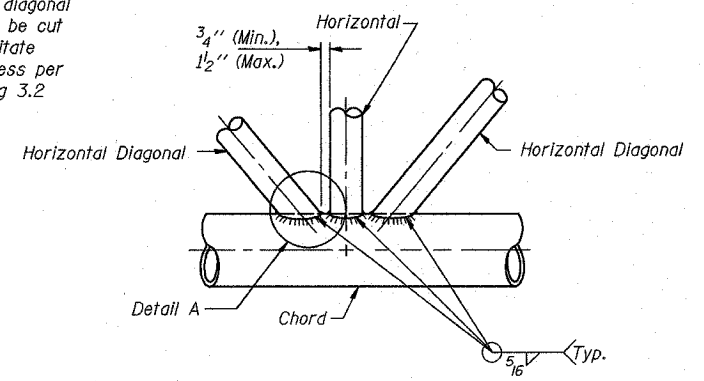
Note: There are twice as many horizontal diagonals as there are vertical diagonals.



SECTION A-A

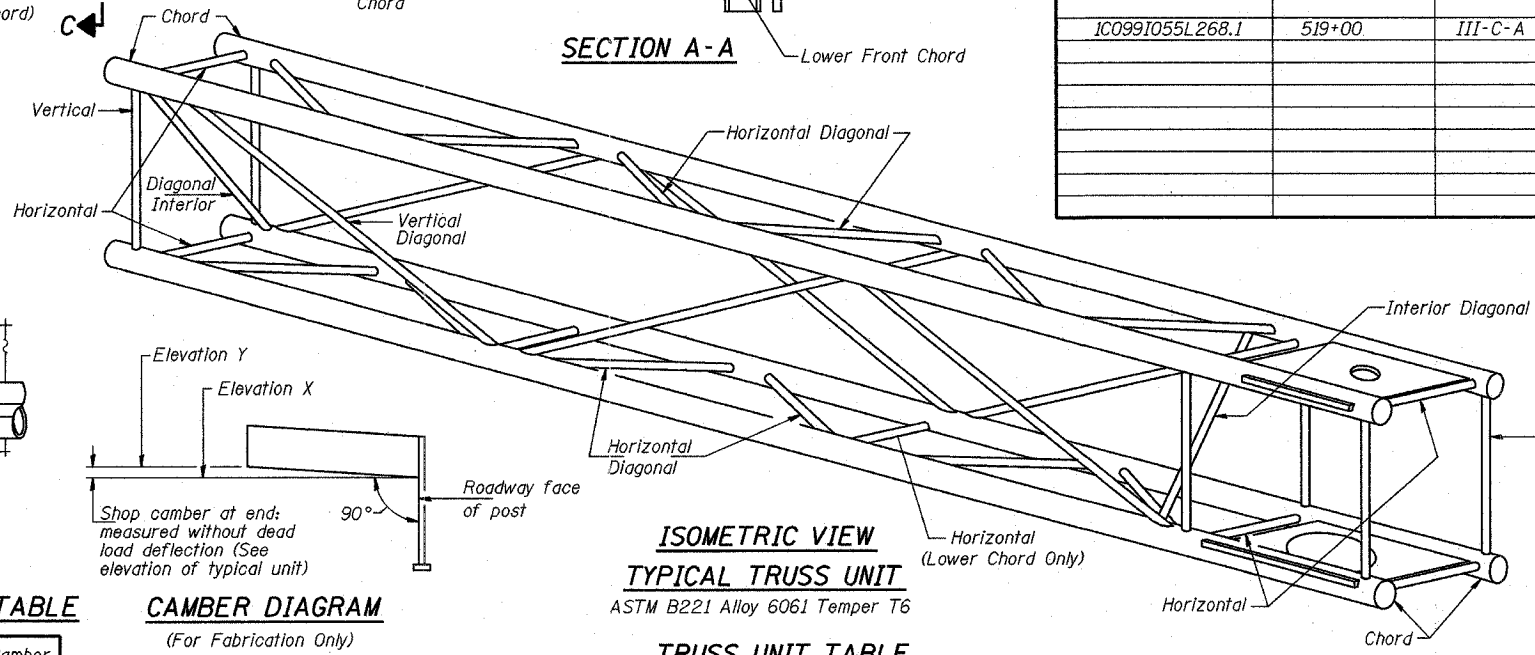


DETAIL A



TRUSS INTERIOR JOINT DETAIL

Structure Number	Station	Truss Type	Design Length (L)	Number of Panels Per Unit	Panel Length (P)*
IC099I055L267.7	494+61.3	III-C-A	29'-6"	6	4'-7"
IC099I055L268.1	519+00	III-C-A	40'-0"	8	4'-9"



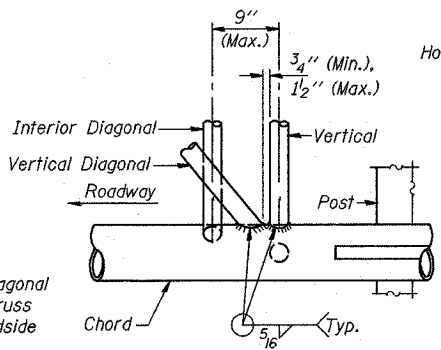
**ISOMETRIC VIEW
TYPICAL TRUSS UNIT**

ASTM B221 Alloy 6061 Temper T6

TRUSS UNIT TABLE

Truss Type	Dimension "a"	Dimension "b"	Dimension "s"	Limits for Panel Spacing (P)*	Up. & Low. Chord		Verticals; Horizontals; Vertical, Horizontal, and Interior Diagonals	
					O.D.	Wall	O.D.	Wall
I-C-A	24"	54"	16"	36" Min. to 48" Max.	5"	5/16"	2 1/2"	5/16"
II-C-A	36"	66"	21"	42" Min. to 54" Max.	6 1/2"	5/16"	3 1/4"	5/16"
III-C-A (35' Max.)	36"	84"	21"	48" Min. to 66" Max.	7"	3/8"	3 1/2"	3/8"
III-C-A (>35' to 40')	36"	84"	21"	48" Min. to 66" Max.	8"	3/8"	3 1/2"	3/8"

*P = (L-s-3") / # Panels



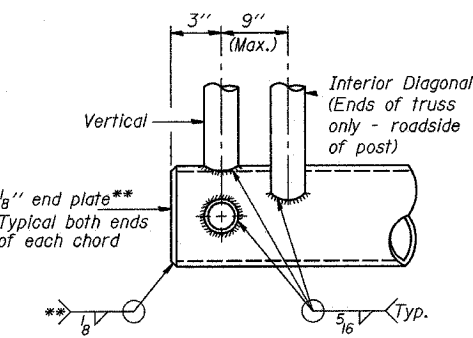
POST END JOINT DETAIL

SHOP CAMBER TABLE

Unit Length (L)	Shop Camber at End
15'	1 1/2"
16'-17'	1 3/4"
18'-20'	2"
21'-22'	2 1/4"
23'-25'	2 1/2"
26'-27'	2 3/4"
28'-30'	3"
31'-32'	3 1/4"
33'-35'	3 1/2"
36'-37'	4"
38'-40'	4 1/2"

CAMBER DIAGRAM

(For Fabrication Only)



CANTILEVER END JOINT DETAIL

**Contractor may alternatively use standard aluminum drive-fit cap to close ends.

DESIGNED	SL
CHECKED	AS
DRAWN	MD
CHECKED	SL

EXAMINED	ENGINEER OF STRUCTURAL SERVICES
PASSED	ENGINEER OF BRIDGES AND STRUCTURES

NUMBER	REVISION	DATE

**CANTILEVER SIGN STRUCTURES
TRUSS DETAILS
ALUMINUM TRUSS & STEEL POST**

ILLINOIS DEPARTMENT OF TRANSPORTATION
I-55 (STEVENSON EXPY.) AT ILL. RTE. 53

OVERHEAD SIGN STRUCTURES CANTILEVER