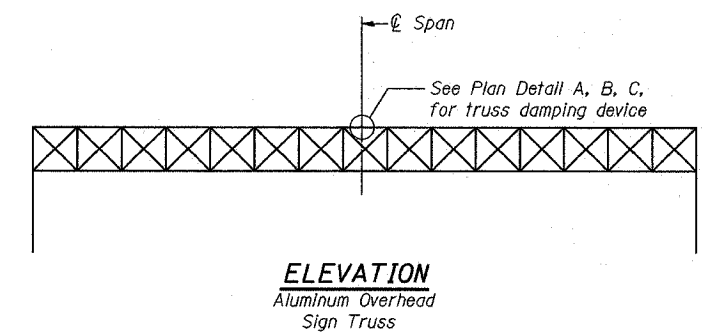
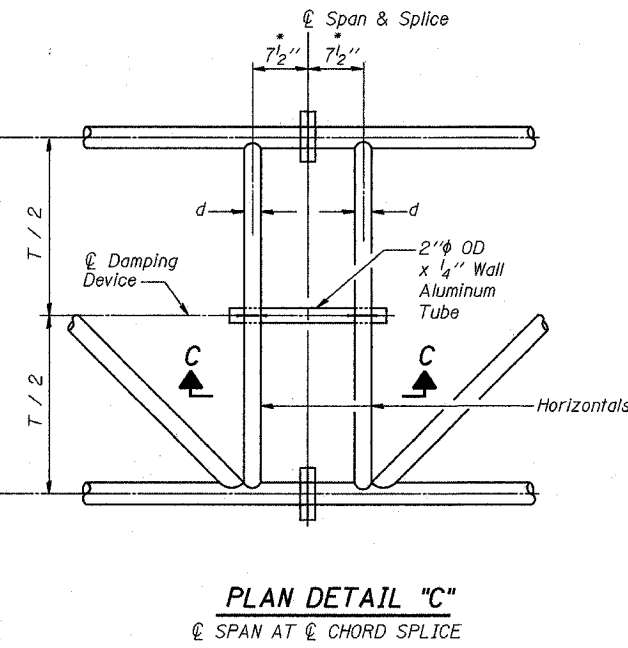
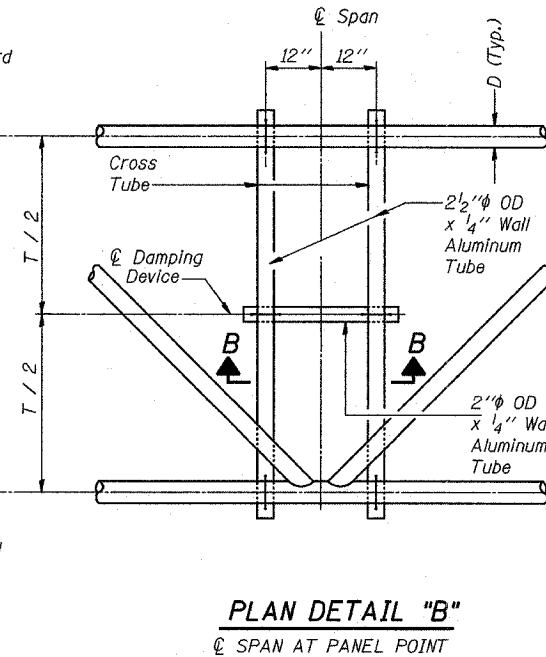
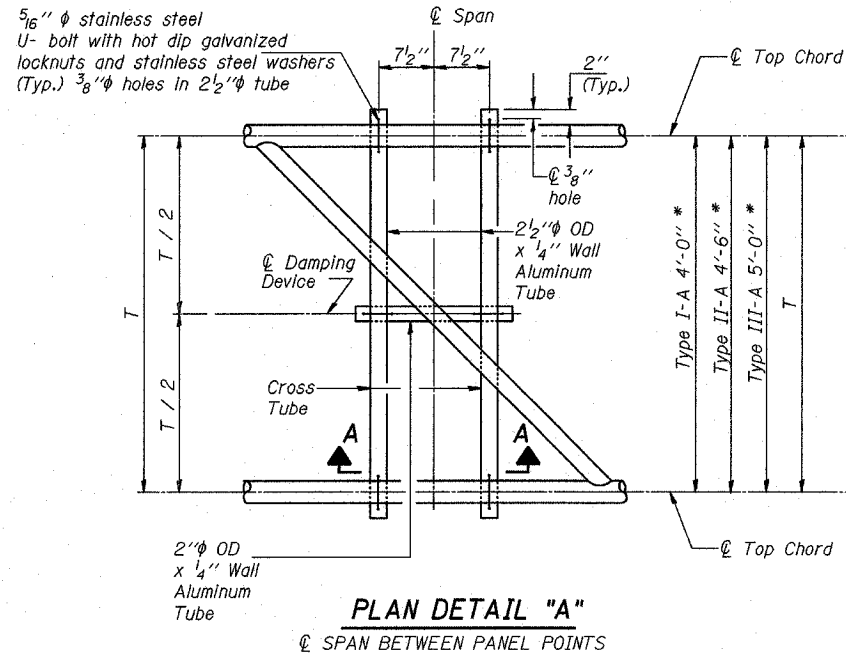


STATE OF ILLINOIS
DEPARTMENT OF TRANSPORTATION

* Center of horizontal to center of splice dimension may vary. Verify before drilling holes in mounting tube.

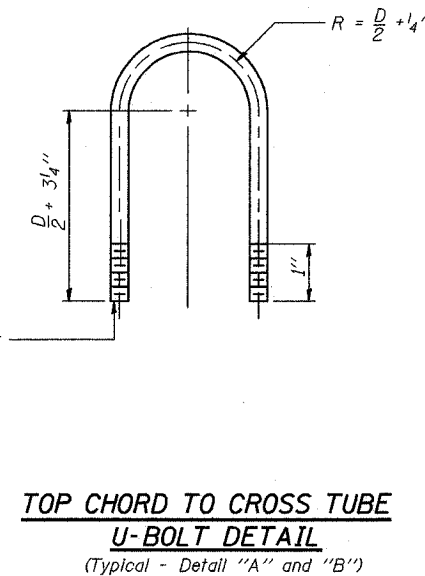
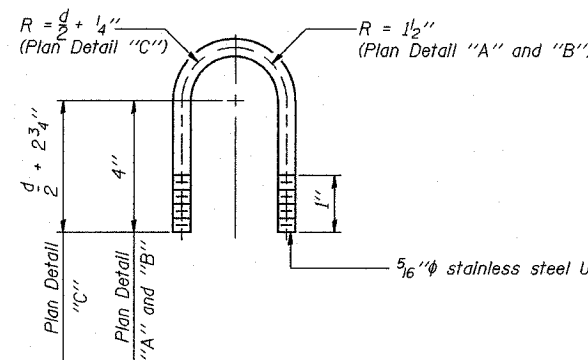
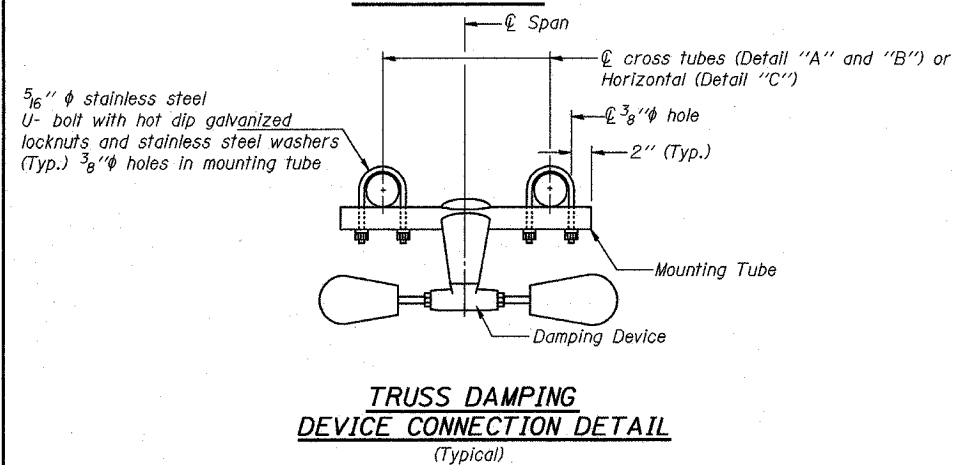
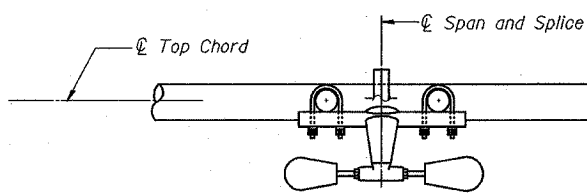
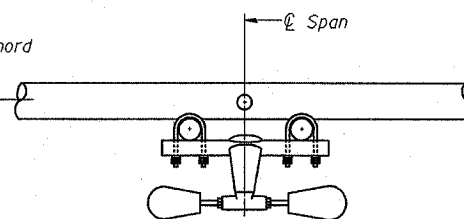
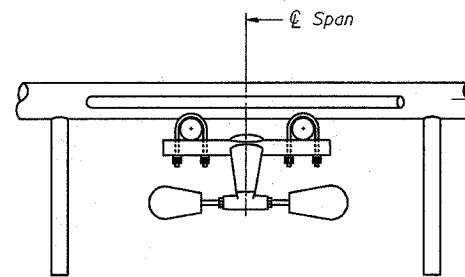
ROUTE NO.	SECTION	COUNTY	SHEET NO.	SHEET TOTAL
55	2002-022 K	WILL	172	111
FED. ROAD DIST. NO. 1		ILLINOIS	FED. AID PROJECT-	



NOTES

Damper: One damper per truss.
(31 lbs. Stockbridge-Type Aluminum)
Cost included in "Overhead Sign Structure..."

Materials: Aluminum tubes shall be ASTM B221 alloy 6061 temper T6. Cost included in "Overhead Sign Structure..."



DESIGNED	SL	20
CHECKED	AS	EXAMINED
DRAWN	MD	PASSED
CHECKED	SL	ENGINEER OF BRIDGES AND STRUCTURES

OS-A-D 11/1/2002

SGN-10

OVERHEAD SIGN STRUCTURE DAMPING DEVICE

ILLINOIS DEPARTMENT OF TRANSPORTATION
I-55 (STEVENS ON EXPY.) AT ILL. RTE. 53

OVERHEAD SIGN STRUCTURES