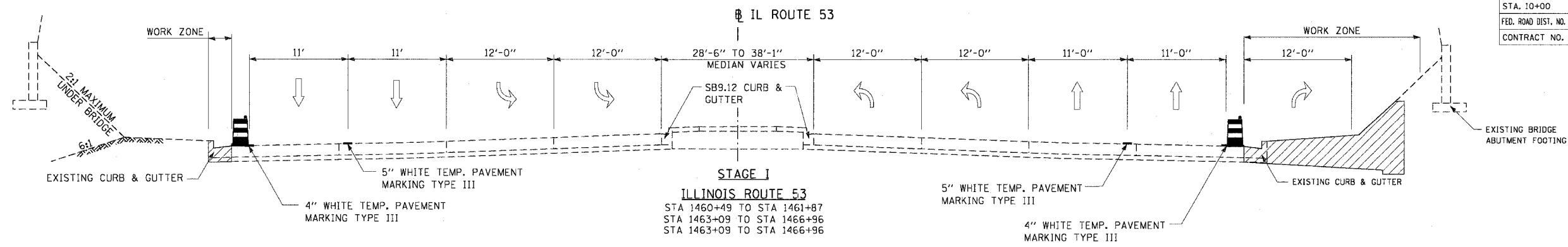
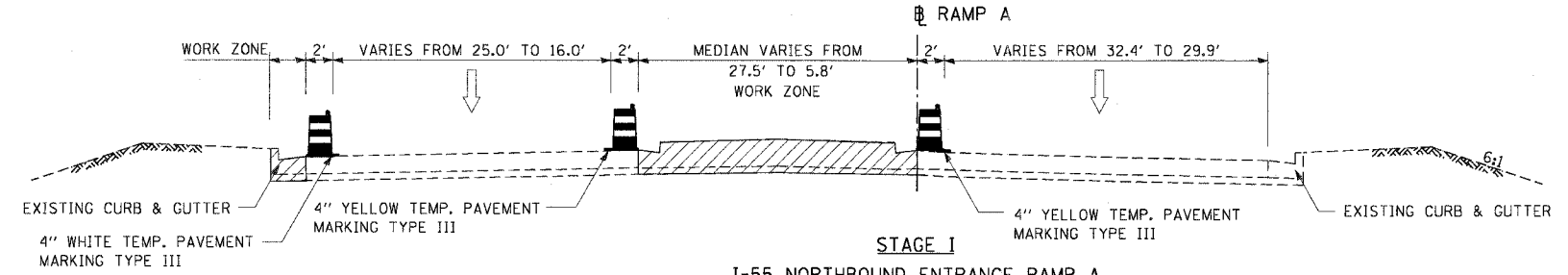


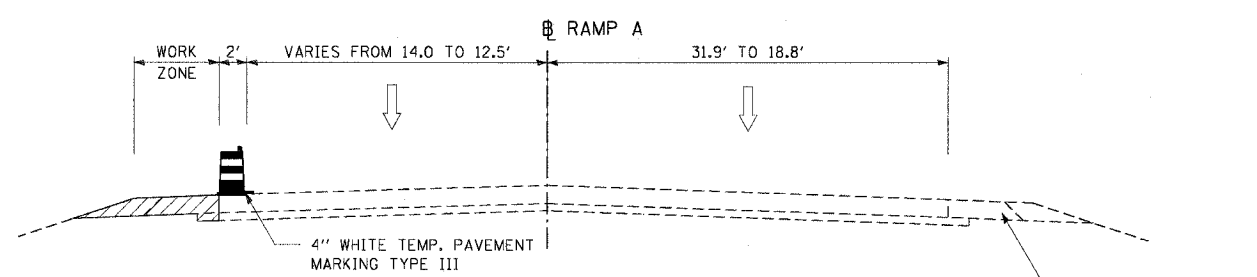
F.A.I. RTE.	SECTION	COUNTY	TOTAL SHEETS	SHEET NO.
55	2002-022 K	WILL	17	25
STA. 10+00		TO STA. 22+96.05		
FED. ROAD DIST. NO.		ILLINOIS FED. AID PROJECT		
CONTRACT NO. 62389				



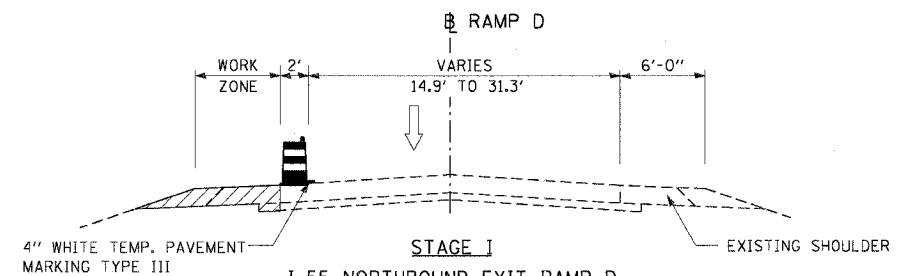
STAGE I
ILLINOIS ROUTE 53
 STA 1460+49 TO STA 1461+87
 STA 1463+09 TO STA 1466+96
 STA 1463+09 TO STA 1466+96



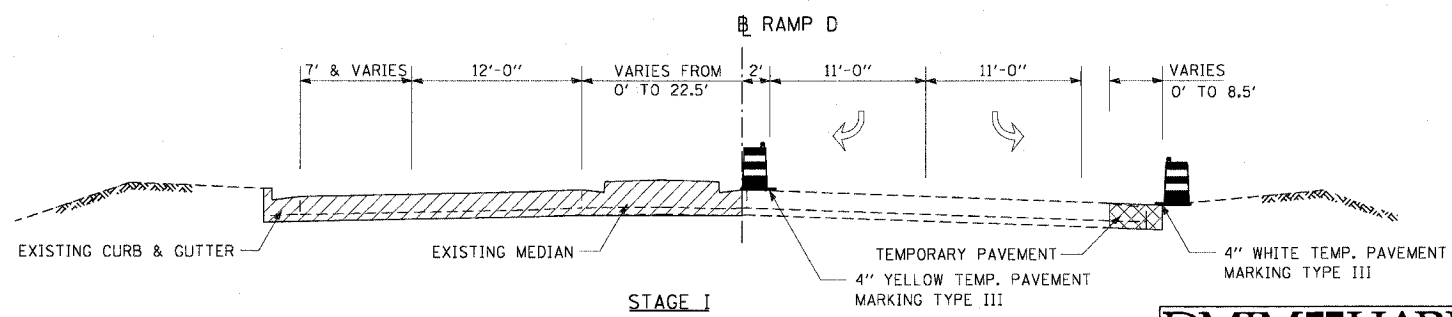
STAGE I
I-55 NORTHBOUND ENTRANCE RAMP A
 STA 300+56.83 TO STA 301+48.27



STAGE I
I-55 NORTHBOUND ENTRANCE RAMP A
 STA 301+48.27 TO STA 303+61



STAGE I
I-55 NORTHBOUND EXIT RAMP D
 STA 105+44.60 TO STA 110+50



STAGE I
I-55 NORTHBOUND EXIT RAMP D
 STA 110+50 TO STA 111+87.91

SEQUENCE OF STAGING


1. FOR DETAILS NOT SHOWN, SEE IDOT HIGHWAY STANDARDS IN THE PLANS.

STAGE 1

STAGE 1A
 PLACE TRAFFIC CONTROL AS SHOWN. SHIFT TRAFFIC LANES ON NB IL-53 INTO 2-11' LANES. SHIFT I-55 SB TRAFFIC FROM WORK AREA. SHIFT I-55 SB EXIT RAMP B TO SOUTH TWO LANES ON RAMP. MAINTAIN NORTHBOUND TURN LANE ON RAMP. CONSTRUCT IL-53 NB ADD-LANE AND RAMP B AUXILIARY LANE.

STAGE 1B
 SUBSTAGE CONSTRUCTION OF THE CORNER OF RAMP B TO ALLOW CONSTRUCTION OF NB TURN LANES. REMOVE EXISTING ISLAND AND CONSTRUCT TEMPORARY PAVEMENT IN ISLANDS AS SHOWN. CONSTRUCT CURB & GUTTER ON SB IL 53, WIDENING ON NW FRONTAGE ROAD, AND NB EXIT RAMP D.

LEGEND:

 PLASTIC DRUMS AS PER DISTRICT STANDARD

PLAN	DATE	BY
NO.		
NOTE BOOK		
NO.		
DATE		
BY		
DATE		
BY		
DATE		
BY		
DATE		

PROFILE	DATE	BY
NO.		
NOTE BOOK		
NO.		
DATE		
BY		
DATE		
BY		
DATE		
BY		
DATE		

REVISIONS	
NAME	DATE

ILLINOIS DEPARTMENT OF TRANSPORTATION
 SUGGESTED CONSTRUCTION STAGING
 TYPICAL CROSS SECTIONS
 RAMP A, RAMP D, AND ILLINOIS ROUTE 53
 STAGE 1

SCALE: N.T.S.
 DATE: 11/8/2004

DRAWN BY: CC
 CHECKED BY: RJ

DMJM HARRIS
 303 East Wacker Drive, Suite 600
 Chicago, Illinois, 60601 Phone: 312.321.6101 Fax: 312.396.2392

MOT-5