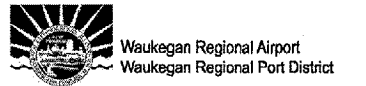




HANSON PROFESSIONAL SERVICES INC.

815 Commerce Drive, Suite 200
Oak Brook, Illinois 60523
Telephone: 630.990.3800
Fax: 630.990.3801

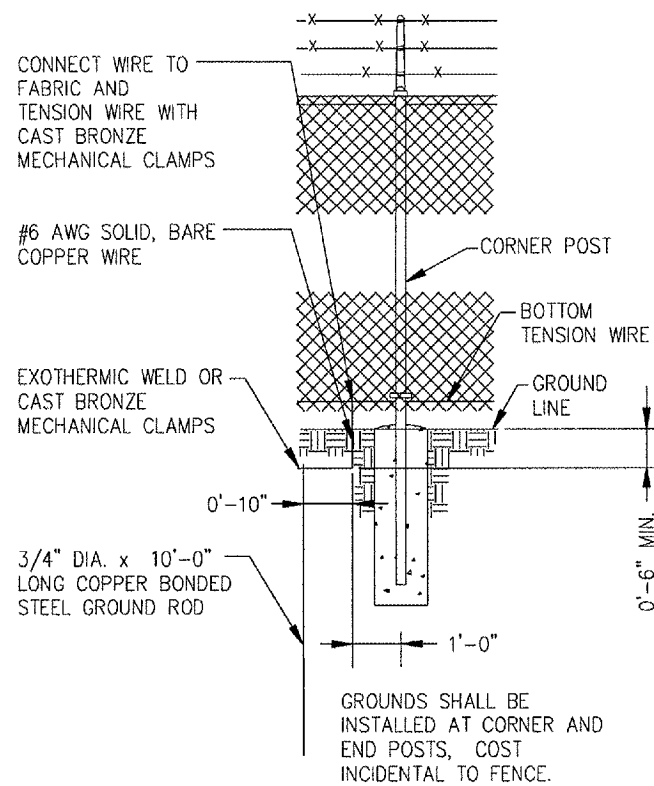


3580 North McAra Road
Waukegan, Illinois 60087
Phone: 847.244.0055
Fax: 847.244.3813

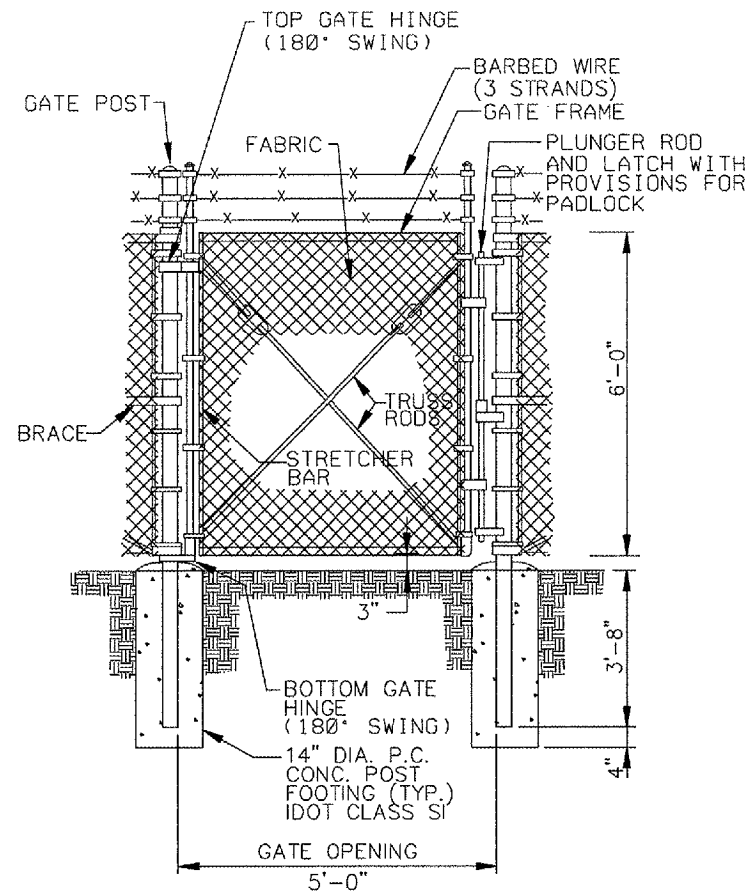
WAUKEGAN REGIONAL AIRPORT

CONSTRUCT NEW T-HANGAR APRONS, TAXIWAYS AND AUTO ACCESS

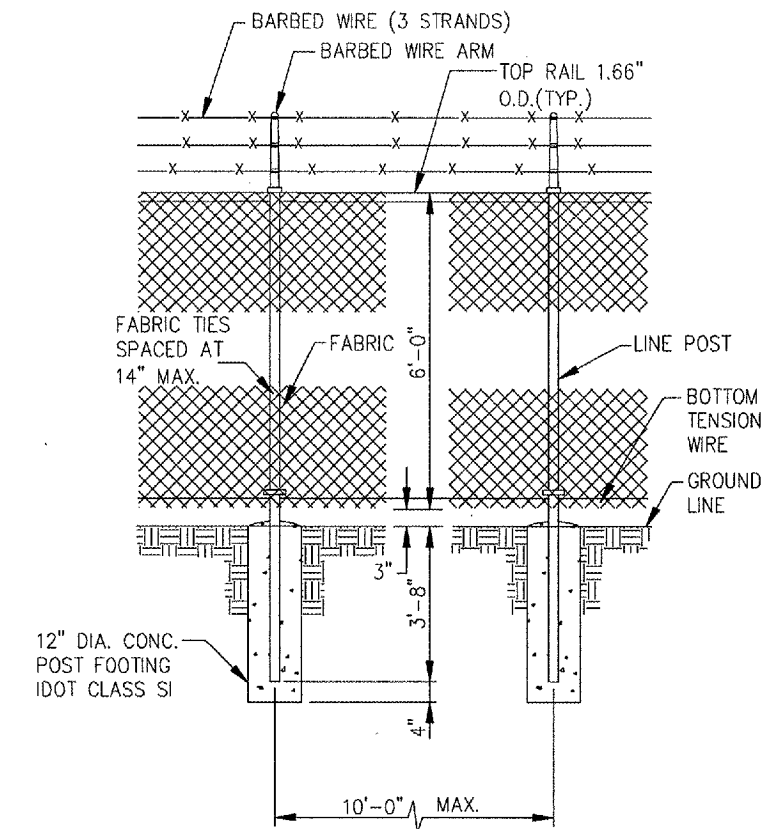
IDA PROJECT NO. UGN-3499



PROTECTIVE ELECTRICAL GROUND



PEDESTRIAN GATE, 5 FOOT



LINE POST

LINE POST	
SECTION (O.D.)	LBS./FT.
PIPE TYPE A 1.90"	2.72
PIPE TYPE B 1.90"	2.28
PIPE TYPE C 1.90"	2.26

TERMINAL POST	
SECTION (O.D.)	LBS./FT.
PIPE TYPE A 2.375"	3.65
PIPE TYPE B 2.375"	3.11
PIPE TYPE C 2.375"	3.09

HORIZONTAL BRACES	
SECTION (O.D.)	LBS./FT.
PIPE TYPE A 1.66"	2.27
PIPE TYPE B 1.66"	1.83
PIPE TYPE C 1.66"	1.82

GATE FRAMES	
SECTION (O.D.)	LBS./FT.
PIPE TYPE A 1.66"	2.27
PIPE TYPE B 1.66"	1.83
PIPE TYPE C 1.66"	1.82

GATE POSTS					
GATE OPENING (FT.)		PIPE TYPE A		PIPE TYPE B	
SINGLE	DOUBLE	SIZE (O.D.)	(LBS./FT.)	SIZE (O.D.)	(LBS./FT.)
UP TO 4	UP TO 8	2.375"	3.65	2.375"	3.11
OVER 4 TO 8	OVER 8 TO 16	2.875"	5.79	2.875"	4.64
OVER 8 TO 14	OVER 16 TO 28	3.5"	7.58	3.5"	5.707

DETAILS SHOWN ARE NOT TO SCALE

No.	Drawing Issue Description	Date	By

Date
JANUARY 27, 2006
Sheet Title

FENCE DETAILS

831-04TXD
Project Number
AAP 11/15/05
Layout By Date
AAP 11/15/05
Designed By Date
KLK/RMH 01/23/06
Reviewed By Date
KLK AAP
Drawn By Sheet No.

01/23/2006 08:27 AM I:\04\ch05\05193\04TXD_REV\Civil\Sheet\48 Fence Plan & Details_02.dgn