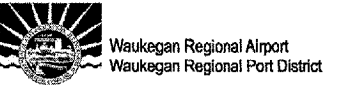




HANSON PROFESSIONAL SERVICES INC.

815 Commerce Drive, Suite 200
Oak Brook, Illinois 60523
Telephone: 630.990.3800
Fax: 630.990.3801

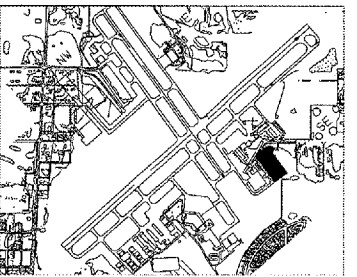


3580 North McAree Road
Waukegan, Illinois 60087
Phone: 847.244.0055
Fax: 847.244.3813

WAUKEGAN REGIONAL AIRPORT

CONSTRUCT NEW T-HANGAR APRONS, TAXIWAYS AND AUTO ACCESS

IDA PROJECT NO. UGN-3499



KEY MAP

No.	Drawing Issue Description	Date	By

Date
JANUARY 27, 2006
Sheet Title

ELECTRICAL PLAN AND DETAILS

831-04TXD
Project Number

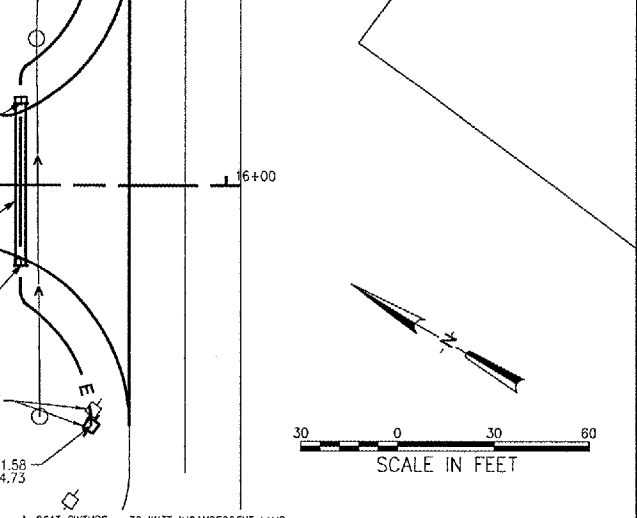
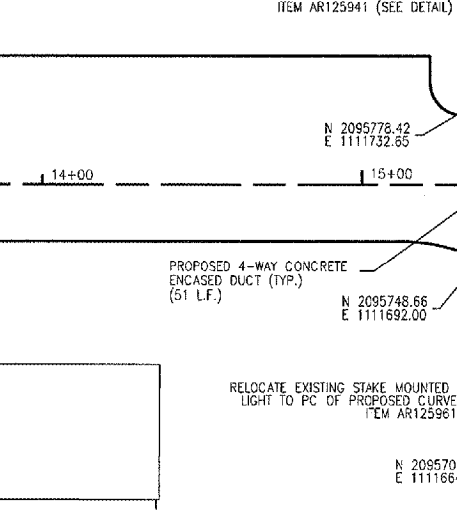
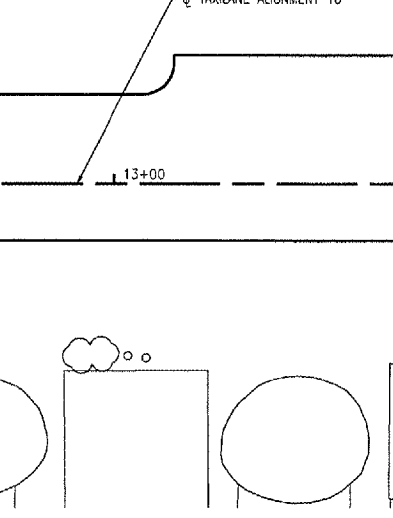
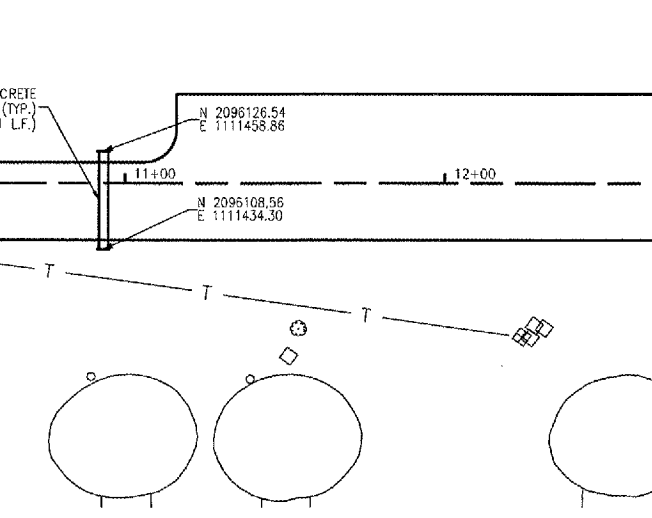
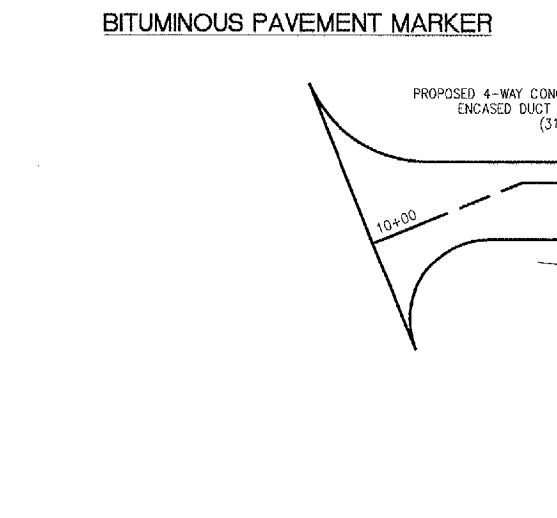
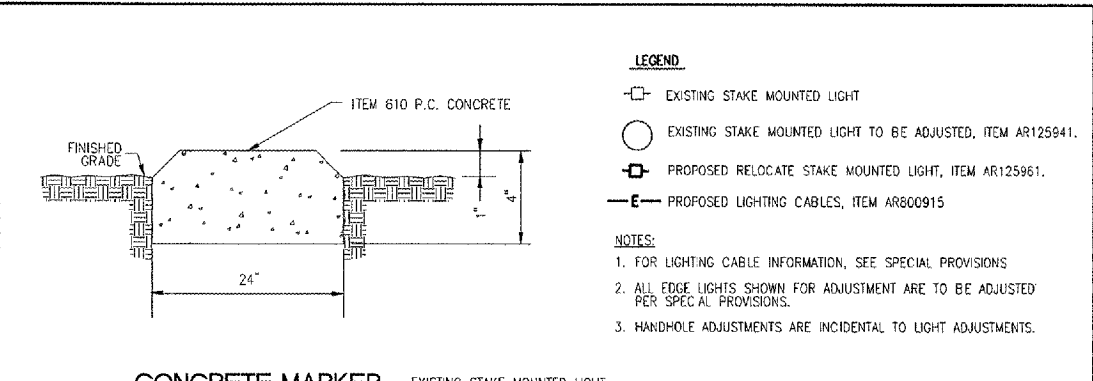
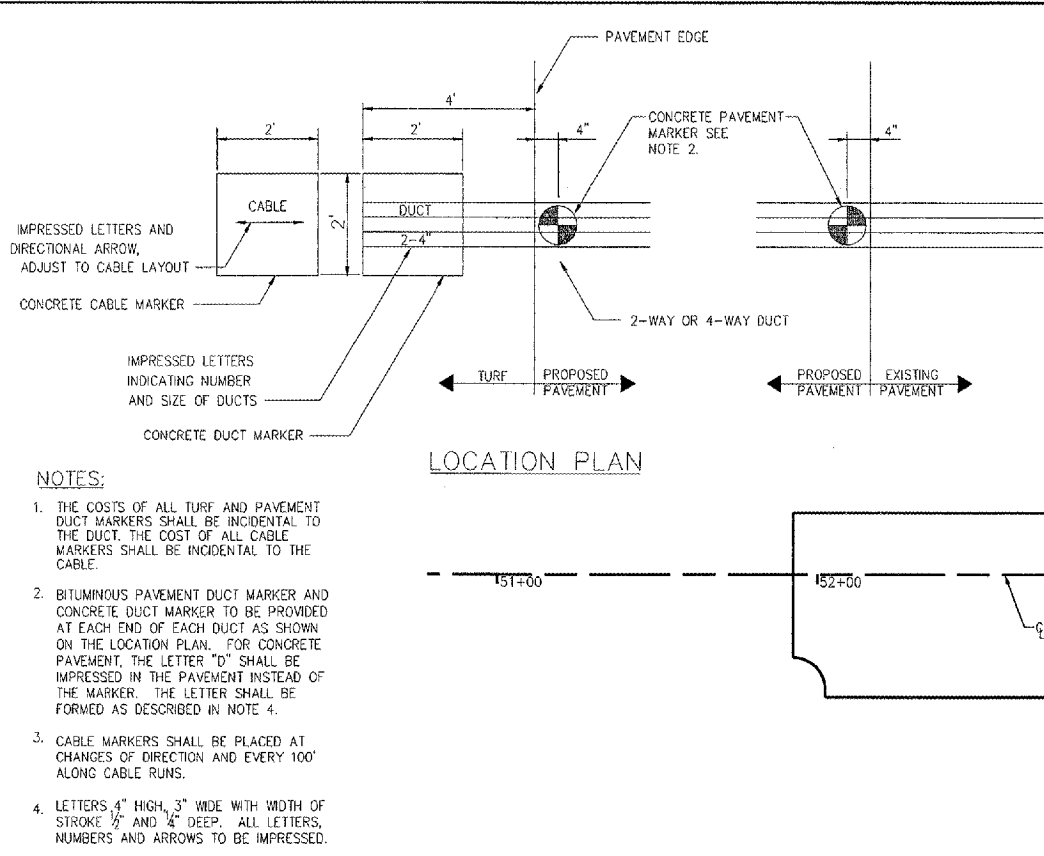
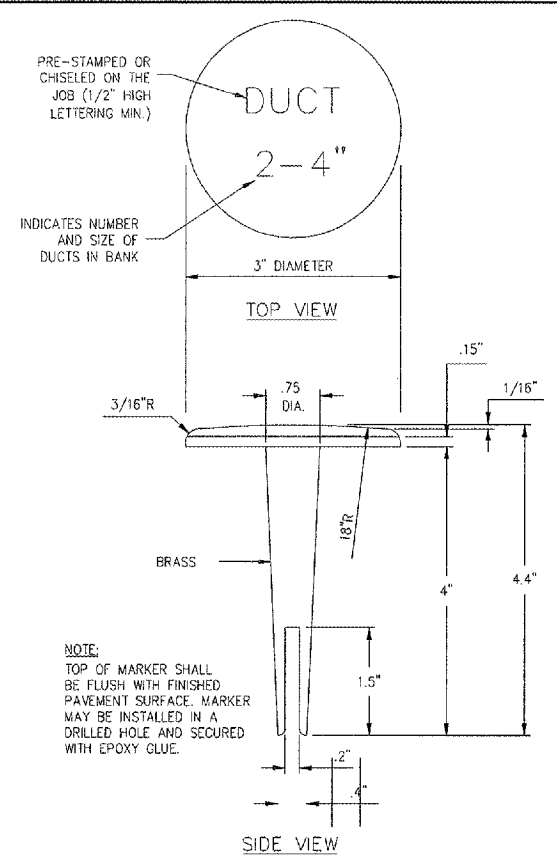
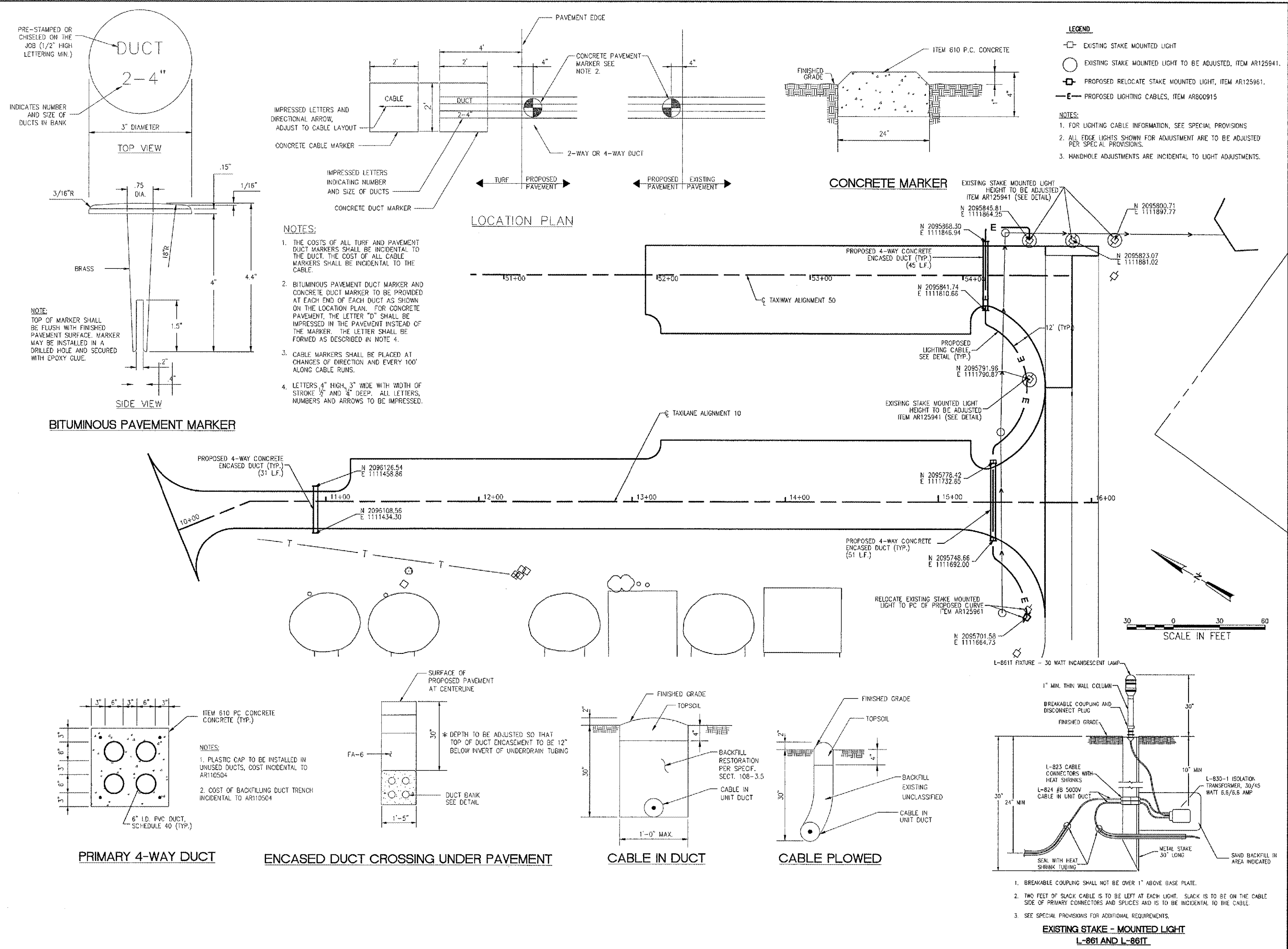
AAP	11/15/05	Date
AAP	11/15/05	Date
KLK/RMH	01/23/06	Designed By
KLK	AAP	Reviewed By

831-04TXD
Project Number

AAP	11/15/05	Date
KLK/RMH	01/23/06	Designed By
KLK	AAP	Reviewed By

831-04TXD
Project Number

AAP	11/15/05	Date
KLK/RMH	01/23/06	Designed By
KLK	AAP	Reviewed By



01/24/2006, 08:24 AM H:\04\04\03\104TXD_REV\04\03\104TXD_Lighting_Adjustment_Plan.dgn AAP