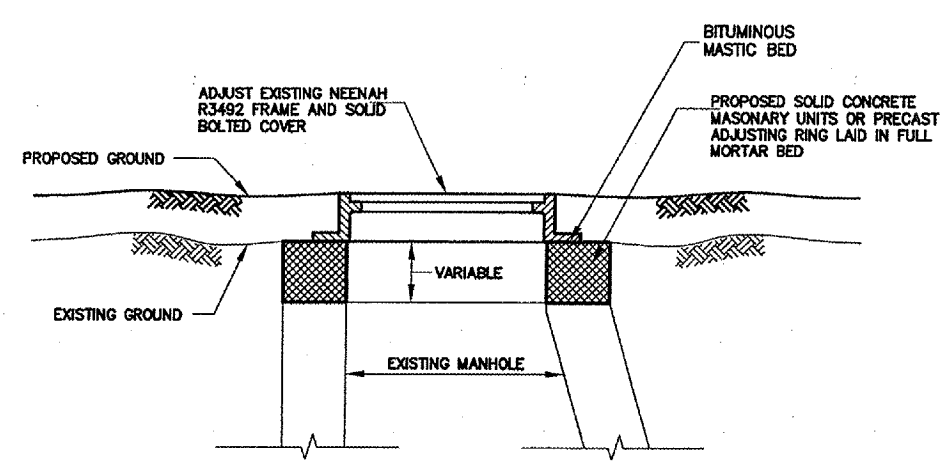
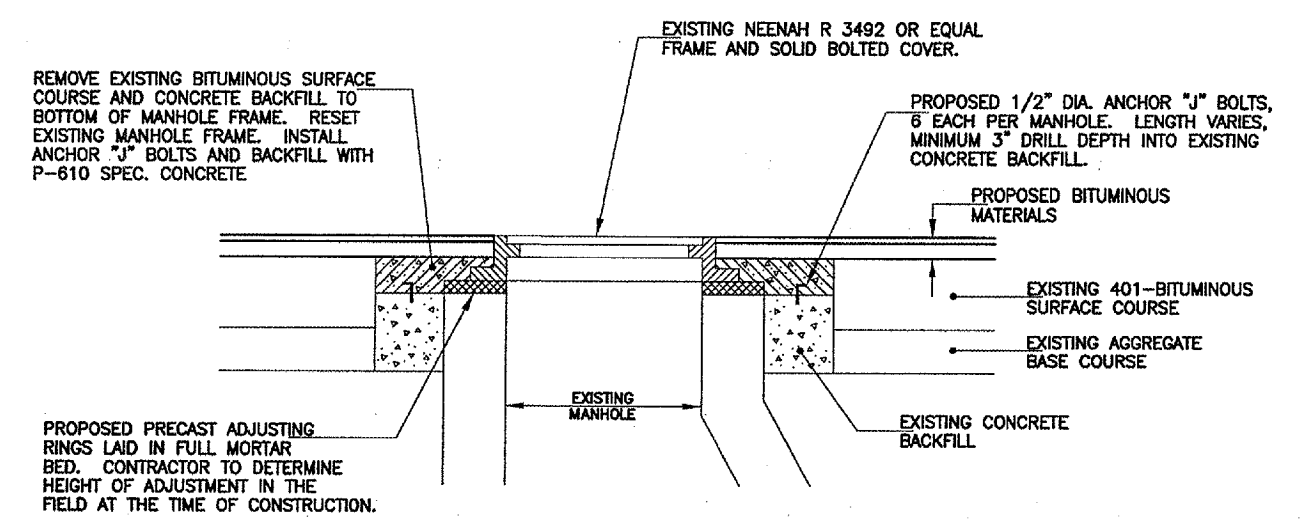


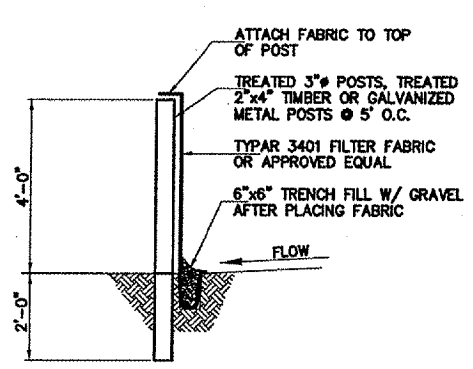
TEMPORARY SEDIMENT TRAP
 AT ALL INLET STRUCTURES



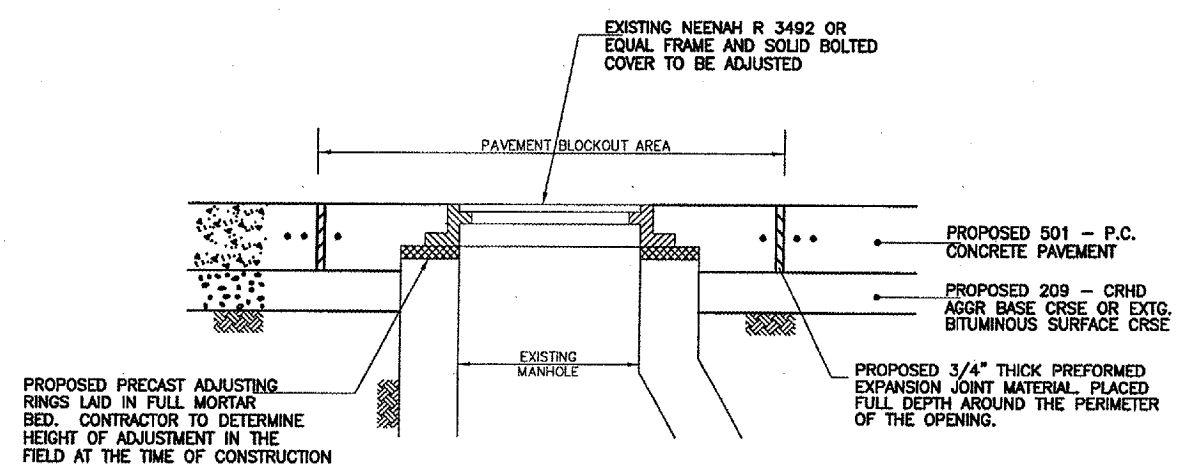
TYPICAL DETAIL - MANHOLE
 ADJUST - IN TURF



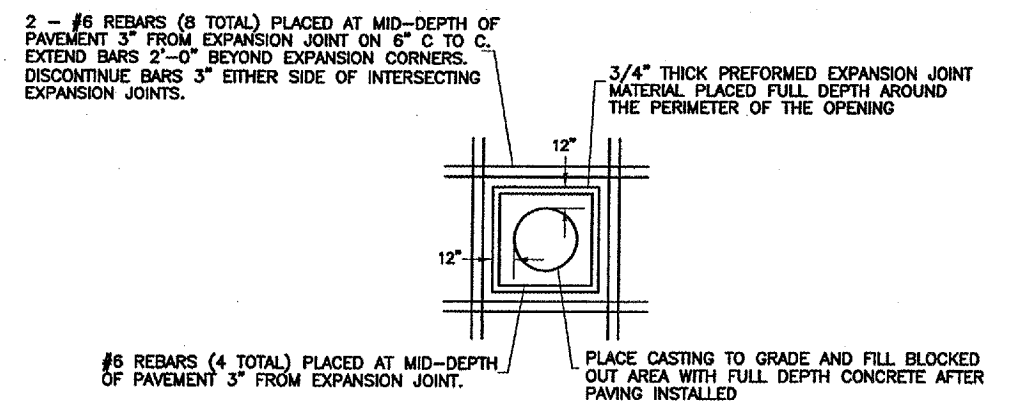
TYPICAL DETAIL - MANHOLE
 ADJUSTMENT IN BIT. PAVEMENT



SECTION A-A
 SILT FENCE DETAIL
 NOT TO SCALE



TYPICAL DETAIL - MANHOLE
 ADJUSTMENT IN P.C. PAVEMENT
 NO SCALE



PAVEMENT SQUARE BLOCKOUT
 FOR CIRCULAR CASTING
 NO SCALE

I:\airport\A05T026\MISC.dwg, 1/23/2006 11:28:12 AM, jefm