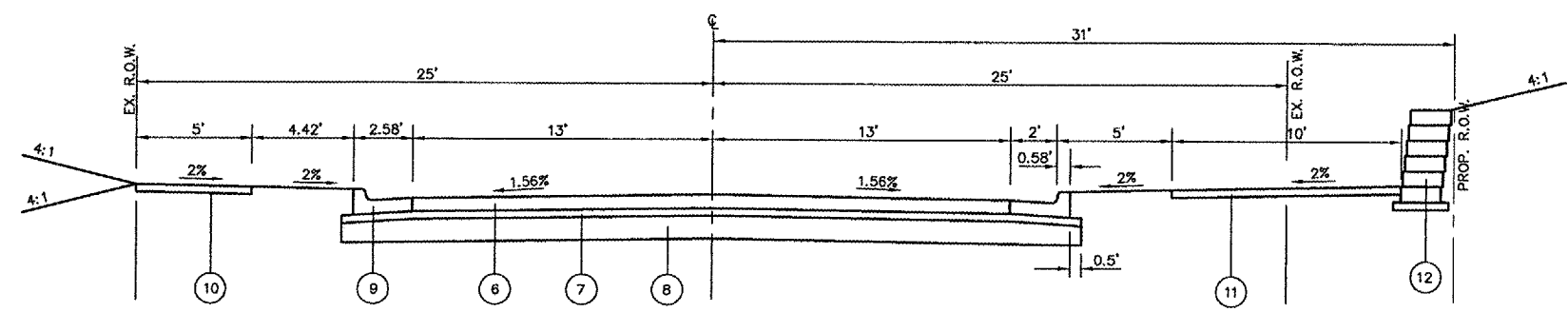
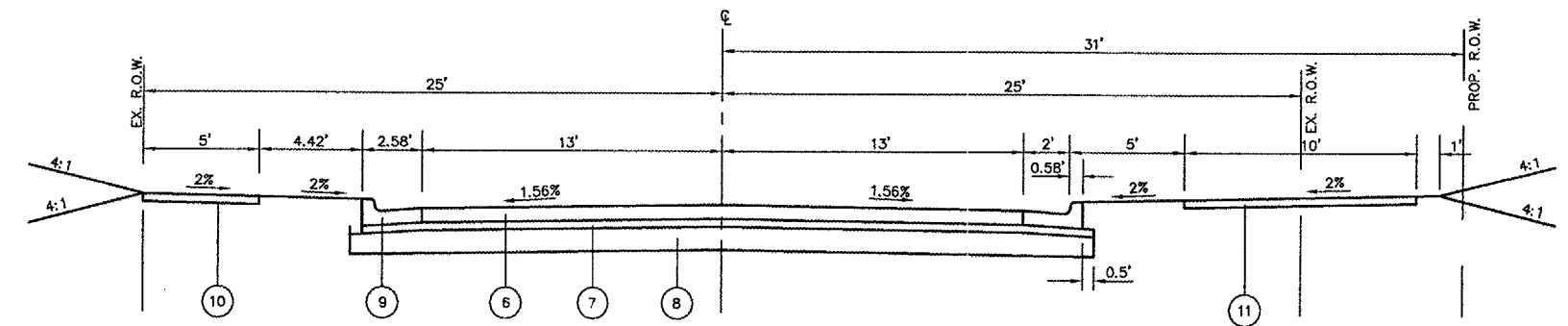


PN	SECTION	COUNTY	TOTAL SHEETS	SHEET NO.
9397	01-00022-00-RP	MADISON	72	11

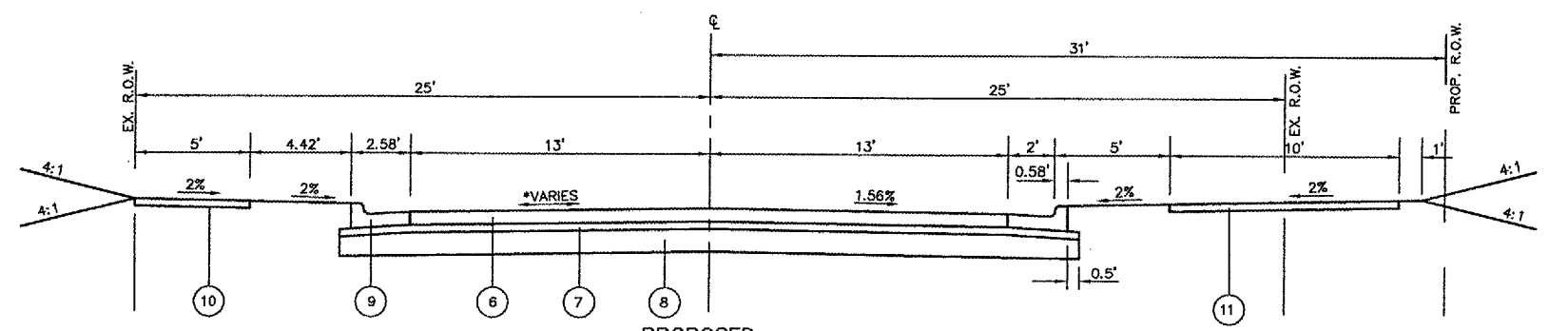
CONTRACT NO. 97289



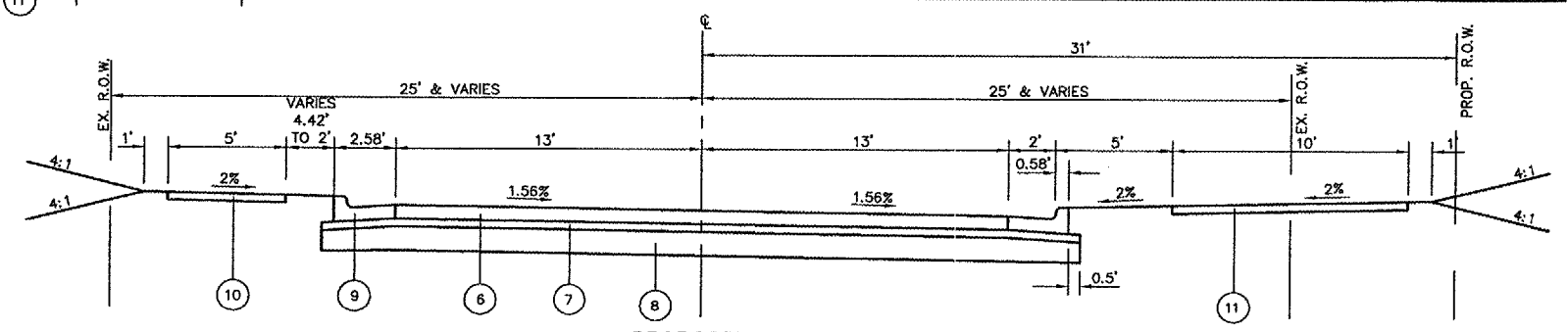
PROPOSED
 STA. 10+19.00 TO STA. 11+08.00
 (BEGIN RET. WALL AT STA. 10+33.63)



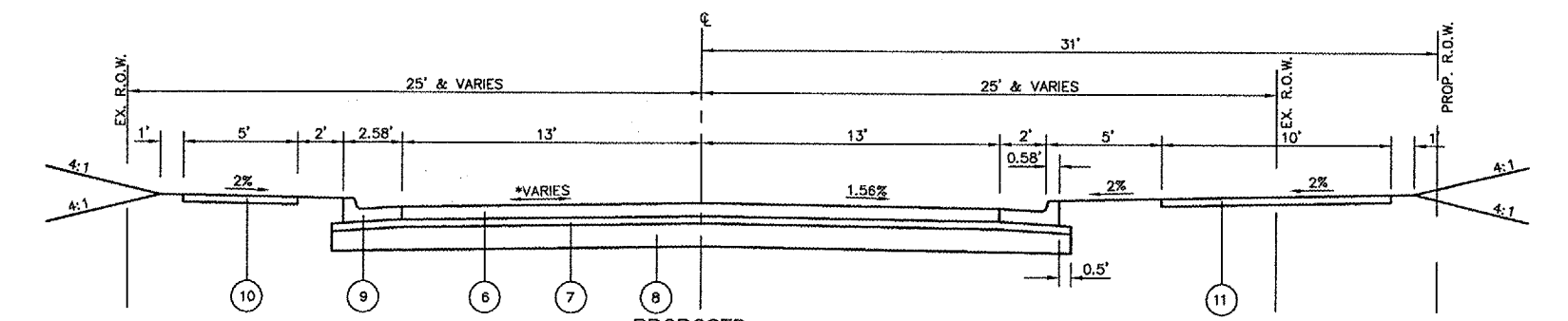
PROPOSED
 STA. 11+08.00 TO STA. 16+51.70



PROPOSED
 STA. 16+51.70 TO STA. 17+01.70
 *TRANSITION FROM -1.56% TO +1.56%



PROPOSED
 STA. 17+01.70 TO STA. 19+53.58



PROPOSED
 STA. 19+53.58 TO STA. 20+03.58
 *TRANSITION FROM +1.56% TO -1.56%

LEGEND

- ⑥ PROPOSED PCC PAVEMENT, 7"
- ⑦ PROPOSED SUBBASE GRANULAR MATERIAL, TYPE A, 4"
- ⑧ PROPOSED LIME MODIFIED SOIL, 12"
- ⑨ PROPOSED COMBINATION CONCRETE CURB & GUTTER, TYPE B-6.24
- ⑩ PROPOSED PCC SIDEWALK, 4"
- ⑪ PROPOSED SHARED-USE TRAIL (PEDESTIAN - BICYCLE), 4"
(PAID FOR AS PCC SIDEWALK, 4")
- ⑫ PROPOSED STANDARD RETAINING WALL

REVISIONS	
NAME	DATE

TYPICAL SECTIONS
 LOWER MARINE ROAD IMPROVEMENTS
 CITY OF TROY
 MADISON COUNTY, ILLINOIS