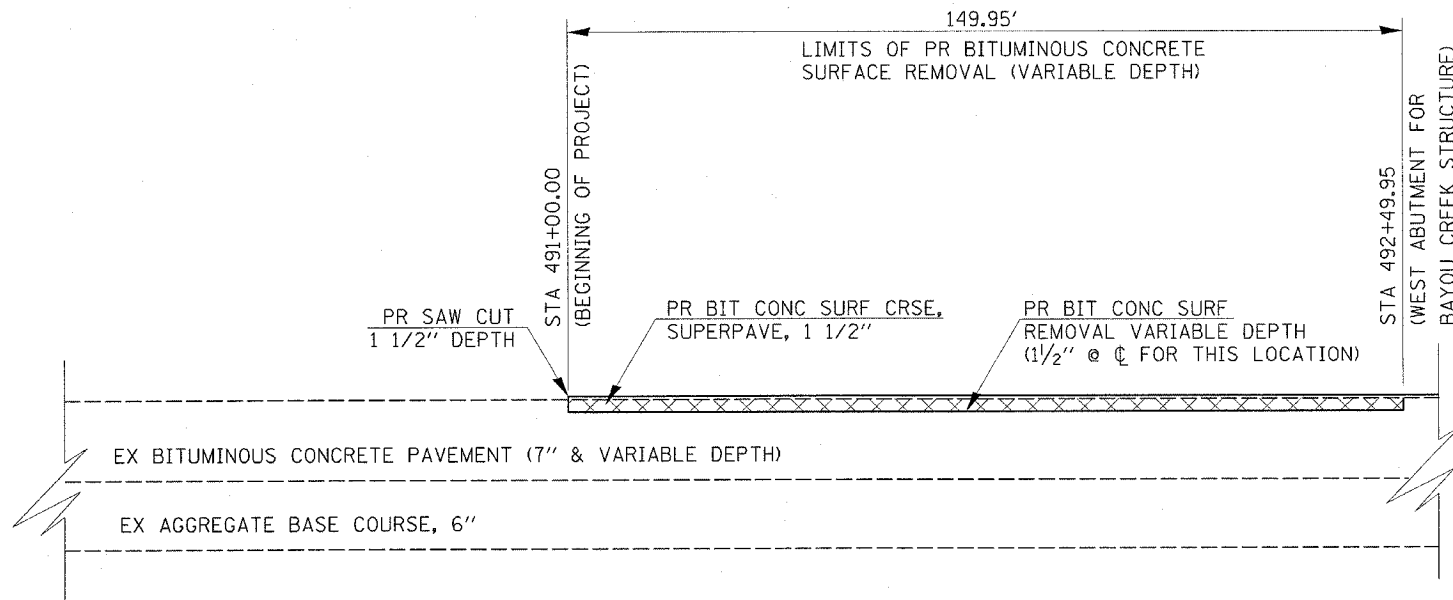
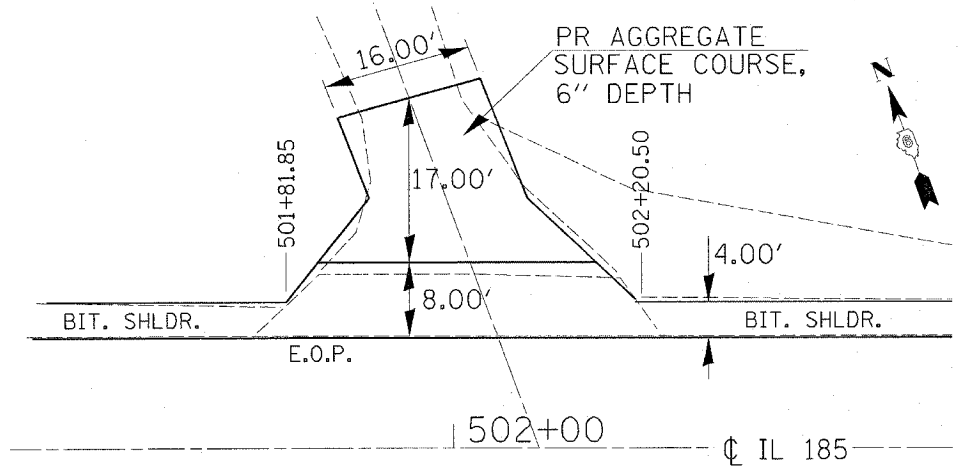
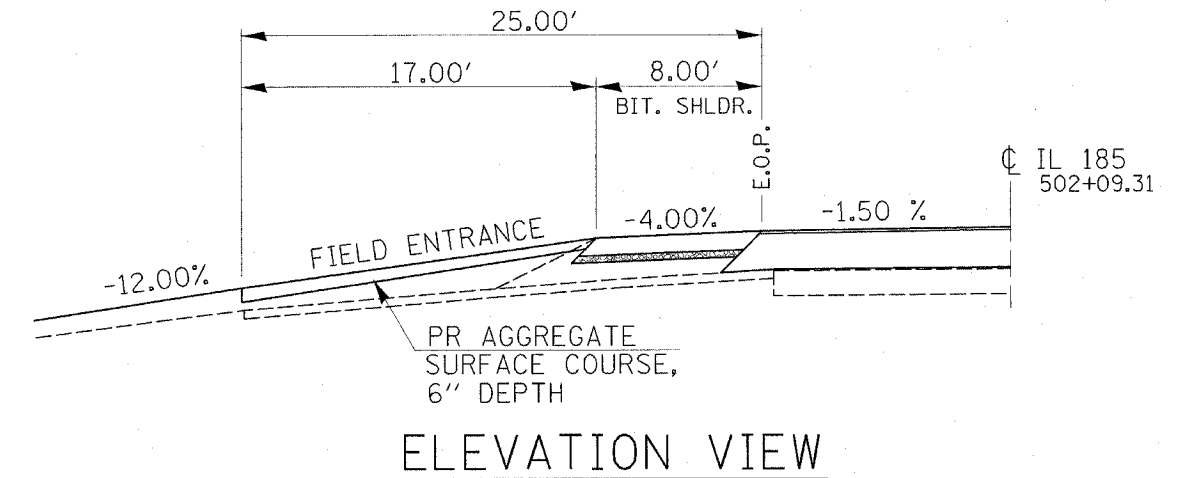


F.A.P. RTE.	SECTION	COUNTY	TOTAL SHEETS	SHEET NO.
777	10(B-1, BR-2)	MONTGOMERY	104	83
STA.		TO STA.		
FED. ROAD DIST. NO.		ILLINOIS	FED. AID PROJECT	



**PROPOSED PAVEMENT RESURFACING  
BEGINNING OF PROJECT**



**PLAN VIEW**

**PROPOSED FIELD ENTRANCE IMPROVEMENT  
STA. 502+09.31**

PLOT DATE = 1/23/2006  
 PLOT SCALE = 40' = 1\"/>

REVISIONS	
NAME	DATE

ILLINOIS DEPARTMENT OF TRANSPORTATION  
**MISCELLANEOUS DETAILS**  
 FAP 777 RTE. 185  
 SECTION 10(B-1, BR-2)  
 MONTGOMERY COUNTY  
 SCALE: VERT. \_\_\_\_\_  
 HORIZ. \_\_\_\_\_  
 DATE \_\_\_\_\_ DRAWN BY RTS  
 CHECKED BY \_\_\_\_\_