

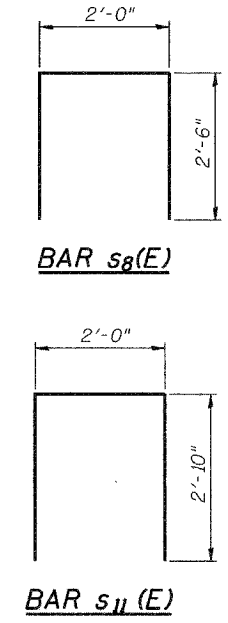
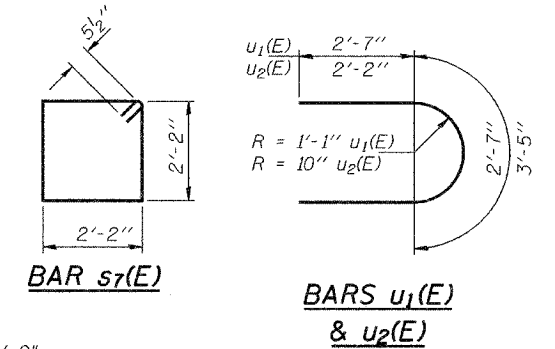
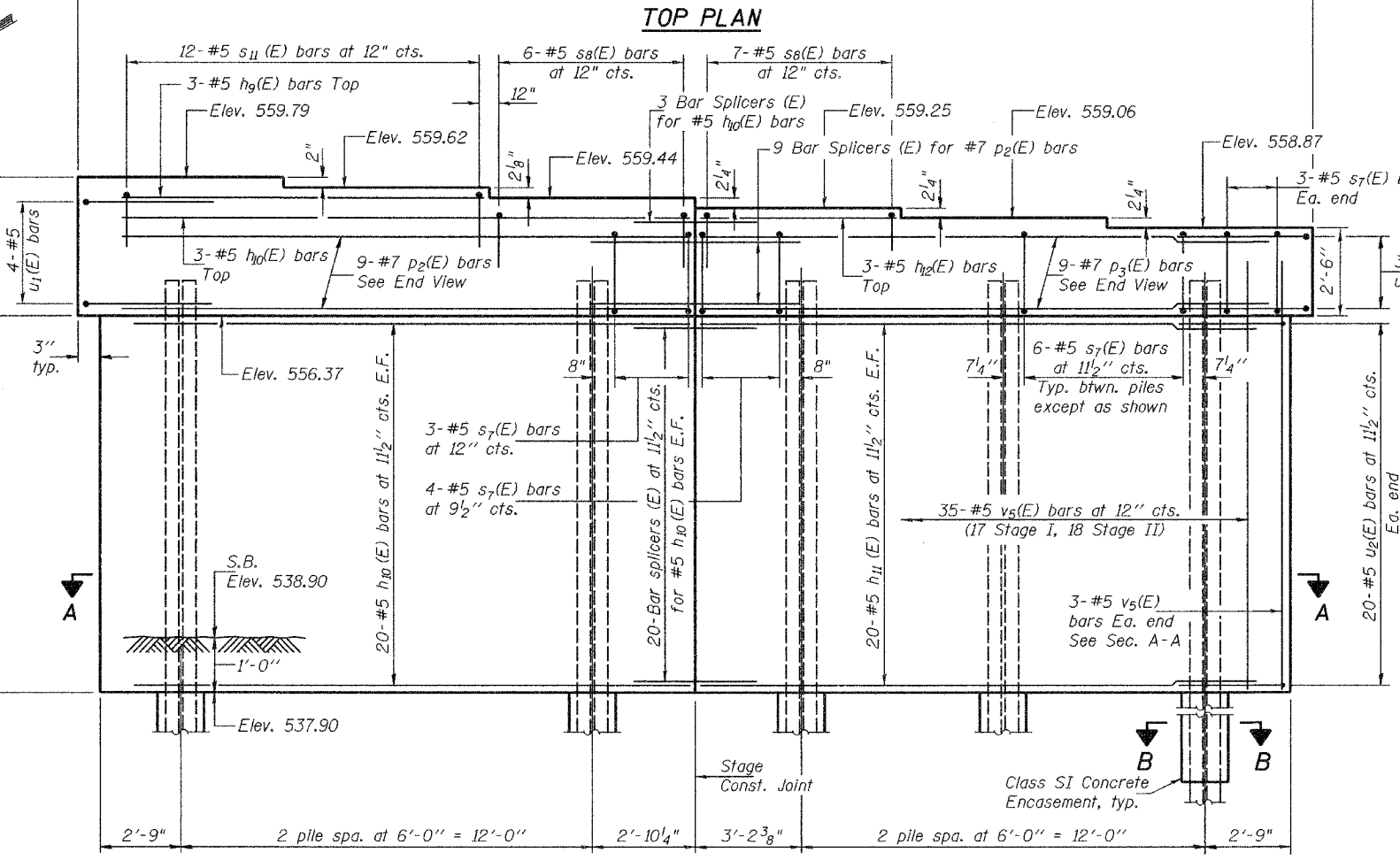
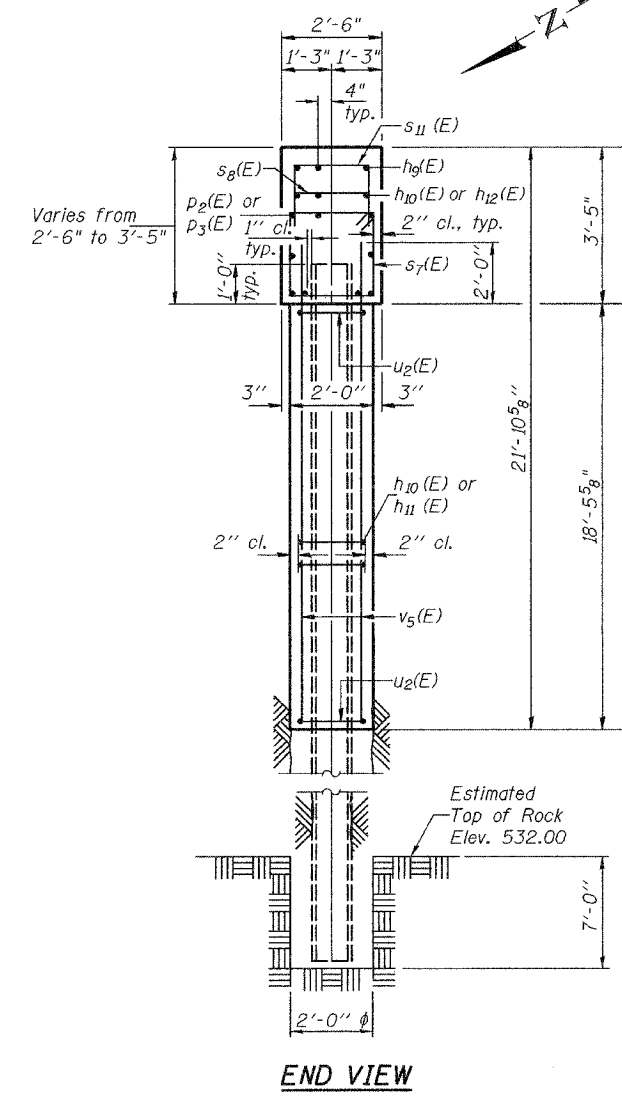
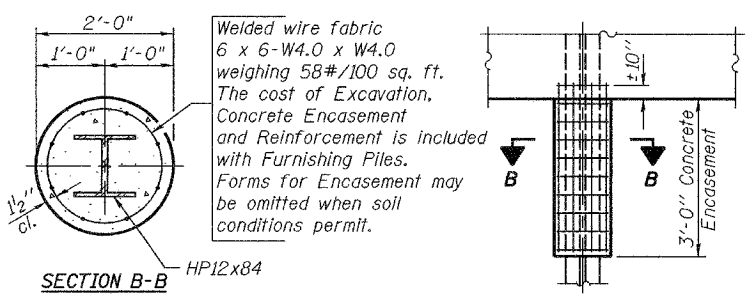
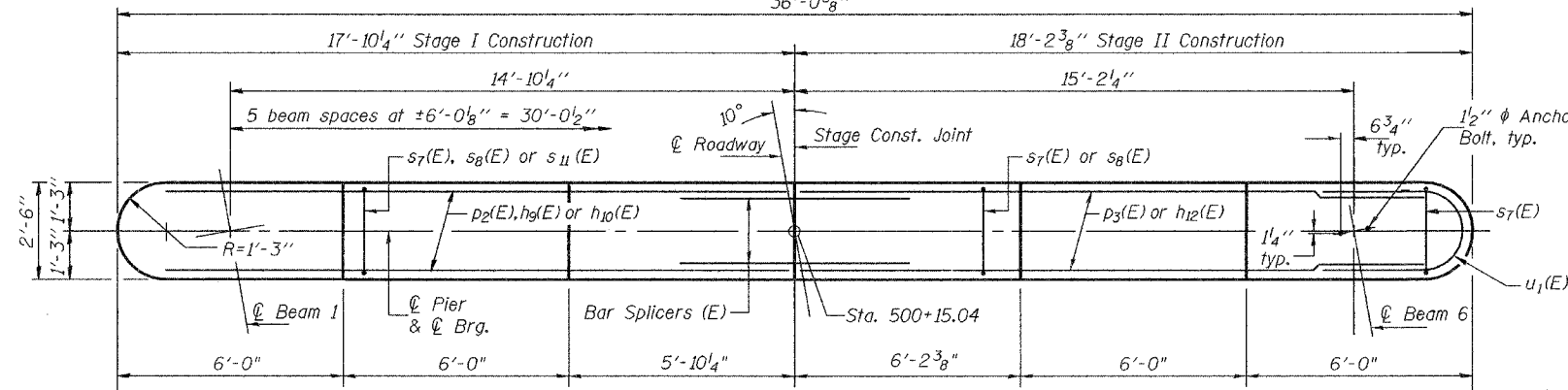
STATE OF ILLINOIS
DEPARTMENT OF TRANSPORTATION

ROUTE NO.	SECTION	COUNTY	TOTAL SHEETS	SHEET NO.
FAP 777	10B-1	MONTGOMERY	104	70
FED. ROAD DIST. NO. 7		ILLINOIS	FED. AID PROJECT-	

Contract #92667

SHEET NO. 18
23 SHEETS

Notes:
Pour steps monolithically with cap.
Reinforcement bars designated (E) shall be epoxy coated.
Space reinforcement in cap to miss anchor bolts.
For anchor bolt installation details see sheet 15 of 23.
For bar splicer details see sheet 20 of 23.



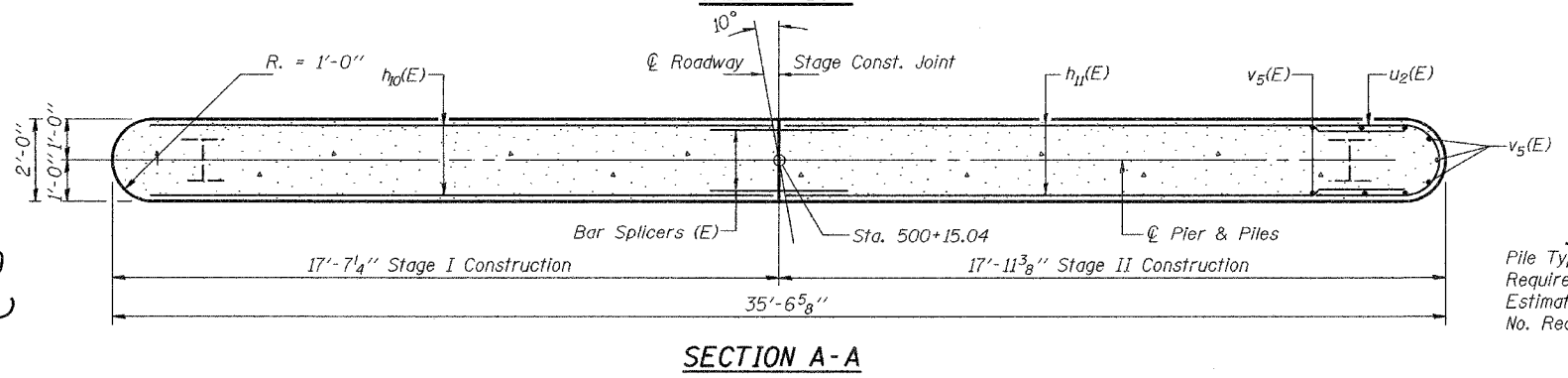
BILL OF MATERIAL

Bar	No.	Size	Length	Shape
h ₉ (E)	3	#5	10'-7"	—
h ₁₀ (E)	43	#5	16'-5"	—
h ₁₁ (E)	40	#5	16'-9"	—
h ₁₂ (E)	3	#5	5'-10"	—
p ₂ (E)	9	#7	16'-5"	—
p ₃ (E)	9	#7	16'-9"	—
s ₇ (E)	37	#5	9'-7"	□
s ₈ (E)	13	#5	7'-0"	□
s ₁₁ (E)	12	#5	7'-8"	□
u ₁ (E)	7	#6	8'-7"	U
u ₂ (E)	40	#5	6'-11"	U
v ₅ (E)	76	#5	20'-2"	—
Concrete Structures	Cu. Yd.	57.9		
Reinforcement Bars, Epoxy Coated	Pound	4630		
Furnishing Steel Piles HP12x53	Foot	204		
Structure Excavation	Cu. Yd.	8.8		
Underwater Structure Excavation Protection - Location 1	Each	1		
Setting Piles in Rock	Each	6		

DESIGNED Daniel F. Zerrusen
CHECKED Stephen M. Ryan
DRAWN R. Doty
CHECKED DFZ/SMR

EXAMINED Thomas J. Damagala
PASSED Ralph E. Anderson

Feb 3, 2006
ENGINEER OF BRIDGES AND STRUCTURES



PILE DATA

Pile Type: HP12x53
Required Bearing: Set on Rock
Estimated Length: 34'
No. Required: 6

PIER 1
F.A.P. ROUTE 777 SECTION 10B-1
MONTGOMERY COUNTY
STATION 500+44.04
STRUCTURE NO. 068-0505