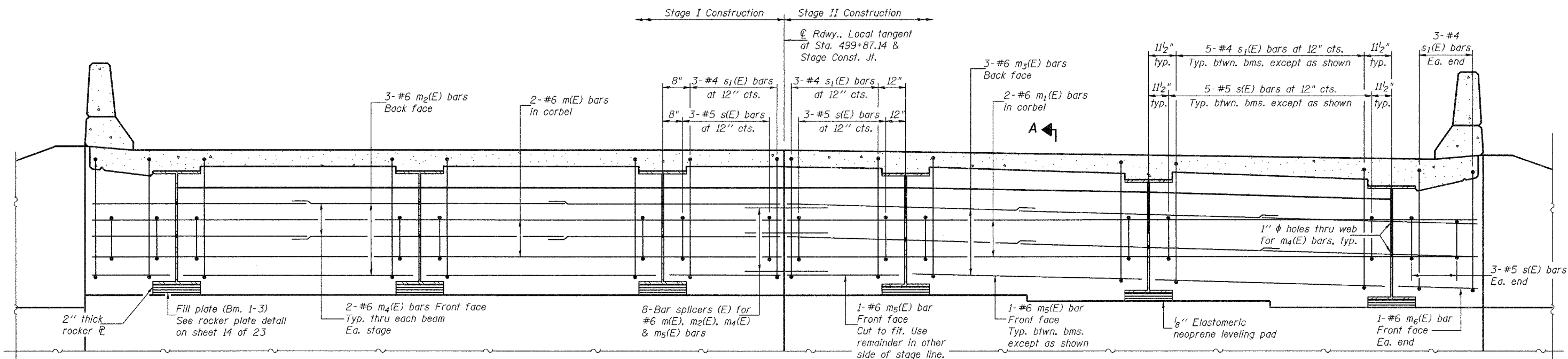


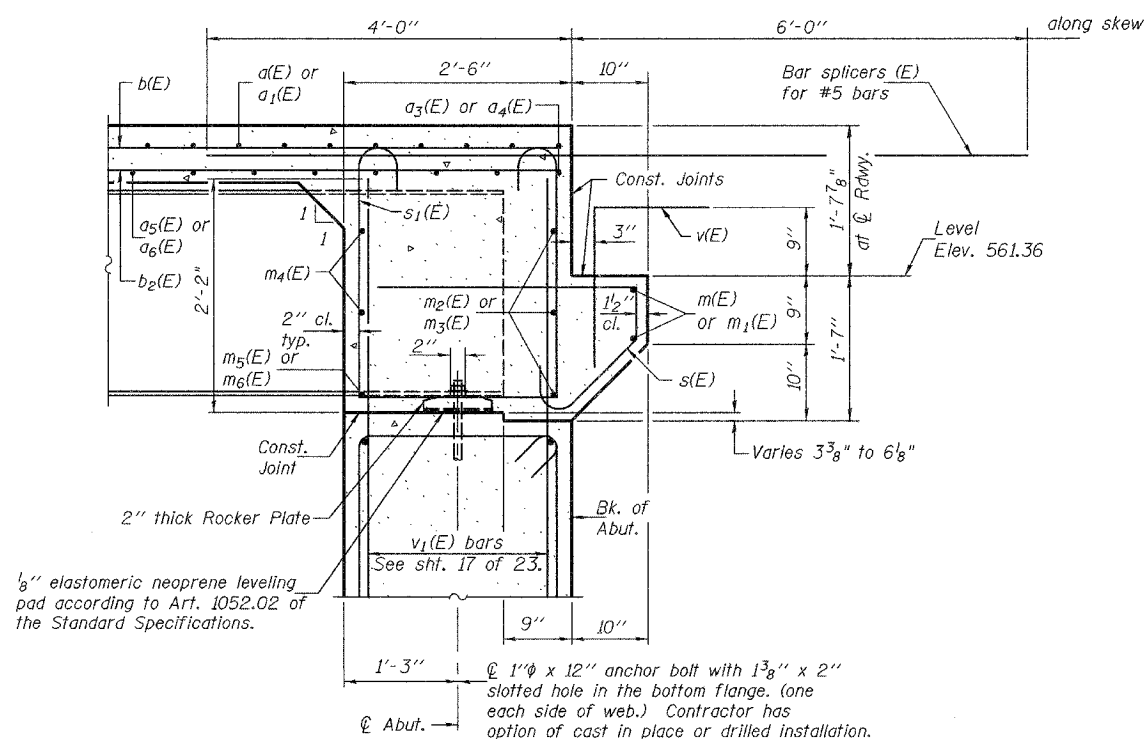
STATE OF ILLINOIS
DEPARTMENT OF TRANSPORTATION

ROUTE NO.	SECTION	COUNTY	TOTAL SHEETS	SHEET NO.	SHEET NO. 9
FAP 777	10B-1	MONTGOMERY	104	61	23 SHEETS
FED. ROAD DIST. NO. 7	ILLINOIS	FED. AID PROJECT	Contract #92667		



DIAPHRAGM ELEVATION AT E. ABUTMENT
Looking East

MIN. BAR. LAP
#6 bar = 2'-9"



Notes: Reinforcement bars in diaphragm are billed with superstructure on sheet 8 of 23.
Concrete in diaphragm is included with Concrete Superstructure on sheet 8 of 23.
For details of bars s(E) & s₁(E) see sheet 8 of 23.
The s(E) and s₁(E) bars shall be placed parallel to the beams. Spacing for these bars shall be at right angles to the beams.
For anchor bolt details see sheet 15 of 23.
For bar splicer details, see sheet 20 of 23.

SECTION A-A

Dimensions are at Rt. L's except as shown
* Cost Included with Concrete Superstructure.

DESIGNED	Daniel F. Zerrusen
CHECKED	Stephen M. Ryan
DRAWN	R. Doty h.t. duong
CHECKED	DFZ/SMR

EXAMINED	Thomas J. Domagalala ENGINEER OF BRIDGE DESIGN	Feb 3, 2006
PASSED	Ralph E. Anderson ENGINEER OF BRIDGES AND STRUCTURES	

EAST DIAPHRAGM DETAILS
F.A.P. ROUTE 777 SECTION 10B-1
MONTGOMERY COUNTY
STATION 500+44.04
STRUCTURE NO. 068-0505