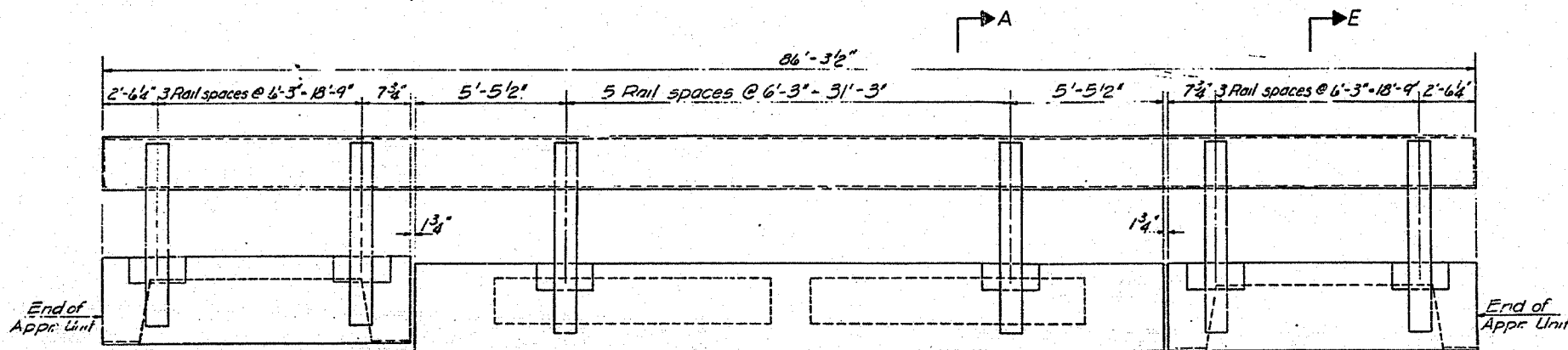


FAP RITE	SECTION	COUNTY	TOTAL SHEETS	SHEET NO.
777	10(B-1, BR-2)	MONTGOMERY	224	52
STA. _____		TO STA. _____		
FED. ROAD DIST. NO. _____		ILLINOIS FED. AID PROJECT		



Hollow structural steel tubing shall conform to the requirements of A.S.T.M. designation A-500 Grade B Structural Steel Tubing.

All other steel shapes and plates shall conform to the requirements of A.A.S.H.T.O. M-183 except posts and angles shall conform to A.A.S.H.T.O. M-223, Grade 50.

Bolts, cap screws, and nuts shall conform to the requirement of A.S.T.M. designation A-307 except for high strength bolts, nuts and washers noted which shall conform to A.A.S.H.T.O. M-164.

All bolts, nuts, cap screws, washers and lock washers shall be galvanized in accordance with A.A.S.H.T.O. M-232.

All posts, railing, rail splices, anchor devices and angles shall be galvanized after shop fabrication in accordance with A.A.S.H.T.O. M-111 and A.S.T.M. A-385. Galvanized rail shall not be painted.

Railing shall be in accordance with Section 508 of the Standard Specifications, except as noted, and shall be paid for at the contract unit price per lineal foot for Steel Railing, Type 3.

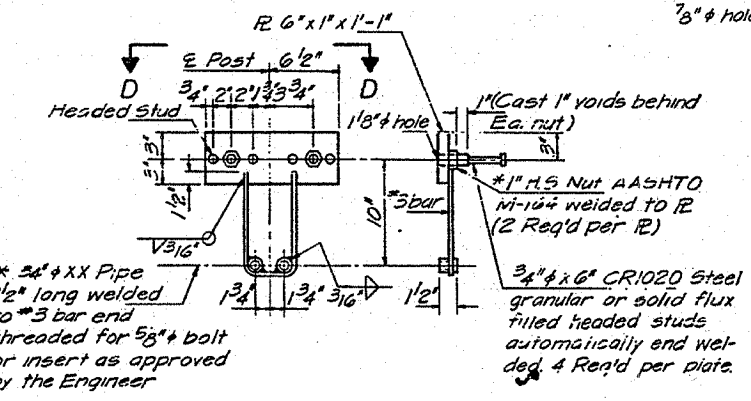
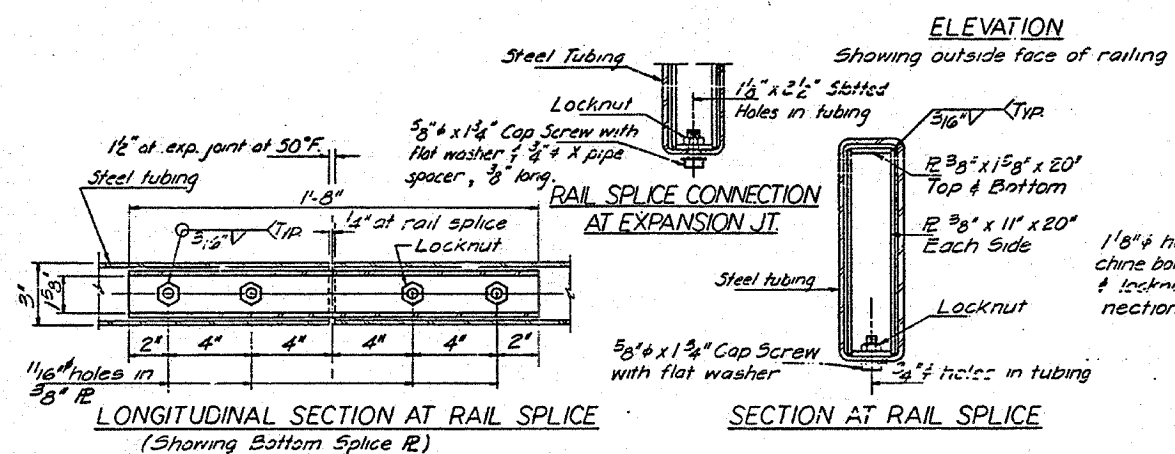
All field drilled holes shall be coated with an approved zinc rich paint before erection.

The lower portion of the post flange in contact with concrete shall receive two coats of asphalt paint conforming to Section 714.08 Type B or place 1/8\"/>

The 3/4\"/>

The 1\"/>

Provide sufficient 1/4\"/>



ANCHOR DEVICE
* Threaded areas shall be plugged or blocked off during casting of beam.

