

ROUTE NO.	SECTION	COUNTY	TOTAL SHEETS	SHEET NO.
FAU 6998	99-00209-02-PV	VERMILION	72	43
FED. ROAD DIST. NO.		ILLINOIS PROJECT		
CONTRACT NO. 91356				

NOTES

Inserts for $\frac{3}{4}$ " ϕ threaded dowel rods, when specified, are to be two strut, coil type for interior beams and single coil, flared loop type for exterior beams.

Prestressing steel shall be uncoated high strength, low relaxation 7-wire strand, Grade 270.

The nominal diameter shall be $\frac{1}{2}$ " and the nominal cross-sectional area shall be 0.153 sq. in.

Non-prestressing steel shall conform to AASHTO designation M-31 or M 322, Grade 60.

A minimum $2\frac{1}{2}$ " ϕ lifting pin shall be used to engage the lifting loops during handling.

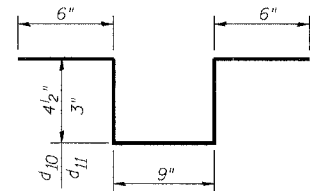
Reinforcement bars designated (E) shall be epoxy coated.

Cut G 6 bars when necessary to maintain $1\frac{1}{2}$ " clearance.

The bottom plates and studs shall be galvanized according to AASHTO M111 and ASTM A385.

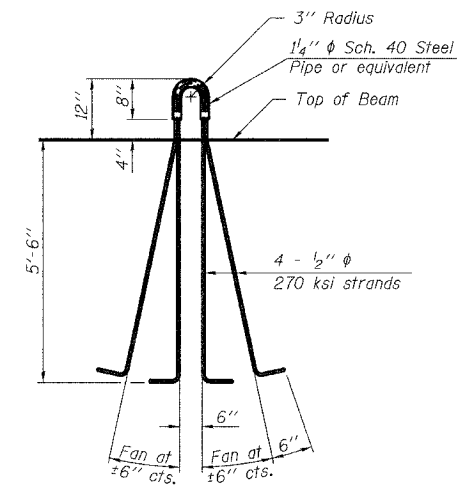
Threaded rods shall be ASTM F 1554 Grade 55.

The cut strands at each beam end shall be given two coats of zinc dust spray or paint meeting the requirements of ASTM A 780. The zinc dust spray or paint shall be applied before corrosion appears and allowed to dry according to the manufacturer's specifications prior to another coat of zinc. A concrete sealer meeting the requirements of Section 587 of the Standard Specifications shall be applied to all portions of the I-beam or Bulb-T beam, except the top surface of the top flange and the bottom surface of the bottom flange, starting at each beam end and extending out a distance of 72 inches. The sealer shall be applied after visible crack growth has subsided. This work shall be performed by the producer and included with the cost of the beam.

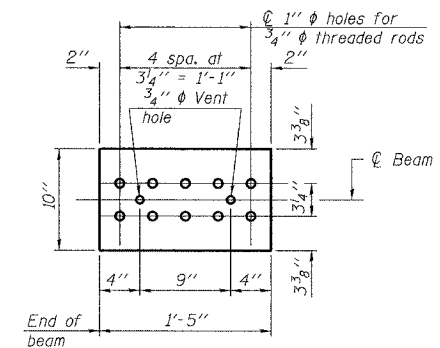


BARS $d_{10}(E)$ & $d_{11}(E)$

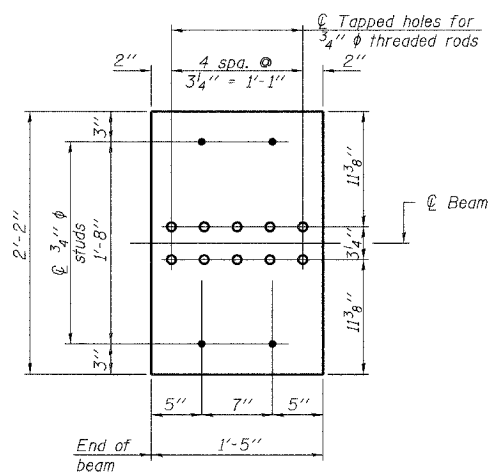
See sht. 8 of 21 for Bill of Material.
Bars $d_{10}(E)$ & $d_{11}(E)$ shall be placed in the deck & spaced as shown. Tie to the G_1 bars of the beam.



LIFTING LOOP DETAIL

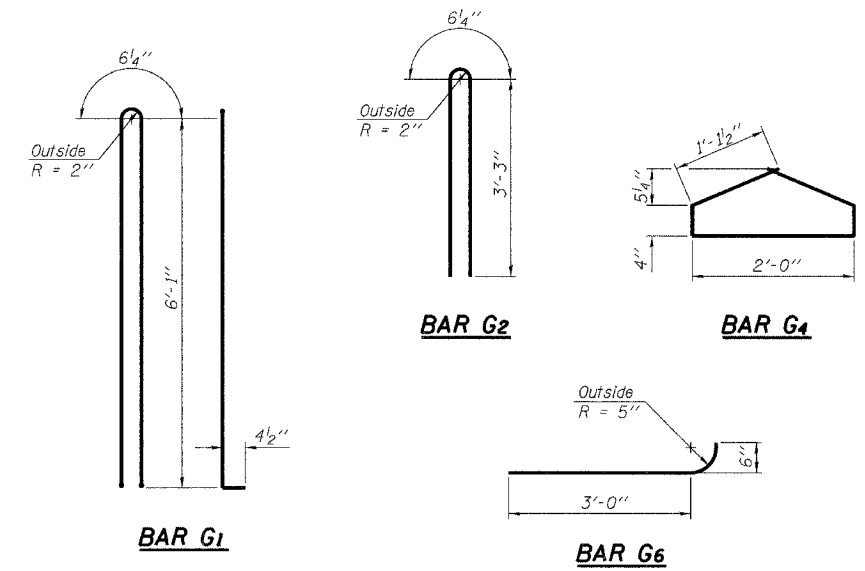


TOP PLATE



BOTTOM PLATE

See bearing details for pintle hole locations when required.



BAR G_2

BAR G_4

BAR G_1

BAR G_6

BILL OF MATERIAL

Item	Unit	Total
Furnishing and Erecting Precast Prestressed Concrete Bulb T-Beams, 72"	Ft.	632.0

PPC BULB-T BEAM DETAILS

Date	Designed ACW	WINTER AVENUE OVER STONEY CREEK SECTION 99-00209-02-PV CITY OF DANVILLE, IL VERMILION COUNTY STA. 106+34.70 PROP. STR. NO. 092-6033	Sheet No.
Revisions	Drawn BKN		12
	Checked KWB		of 21
	Approved KWB		URS Job No.
Prepared by:	URS 3040 North University Avenue Decatur, IL 62526		36430866