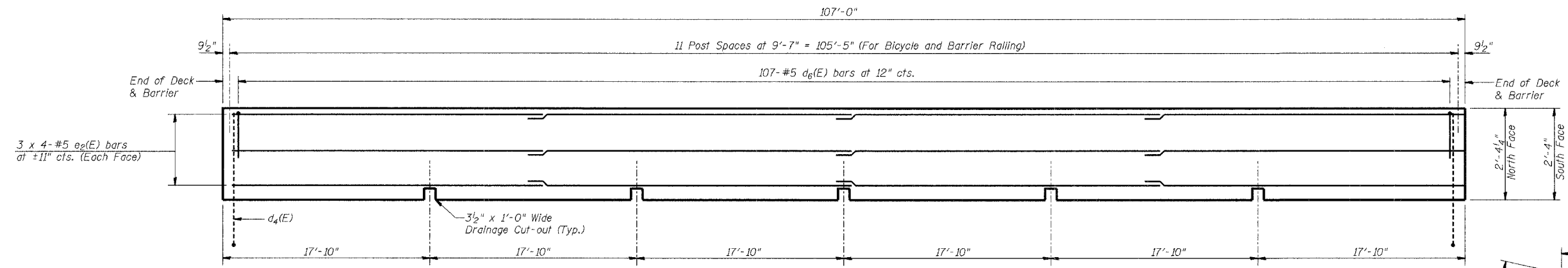


ROUTE NO. FAU 6998	SECTION 99-00209-02-PV	COUNTY VERMILION	TOTAL SHEETS 72	SHEET NO. 39
FED. ROAD DIST. NO.		ILLINOIS PROJECT		
CONTRACT NO. 91356				



**ELEVATION OF SOUTH BARRIER**  
(Looking South)

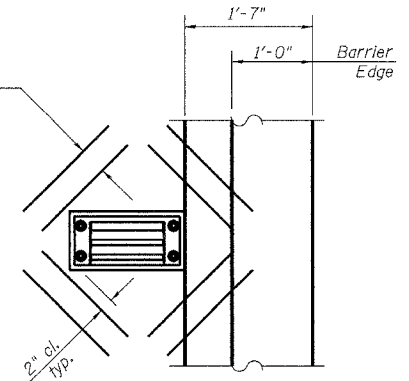
**MIN. BAR LAP**  
#4 = 1'-4"  
#5 = 1'-8"  
#8 = 3'-5"

**SUPERSTRUCTURE BILL OF MATERIAL**

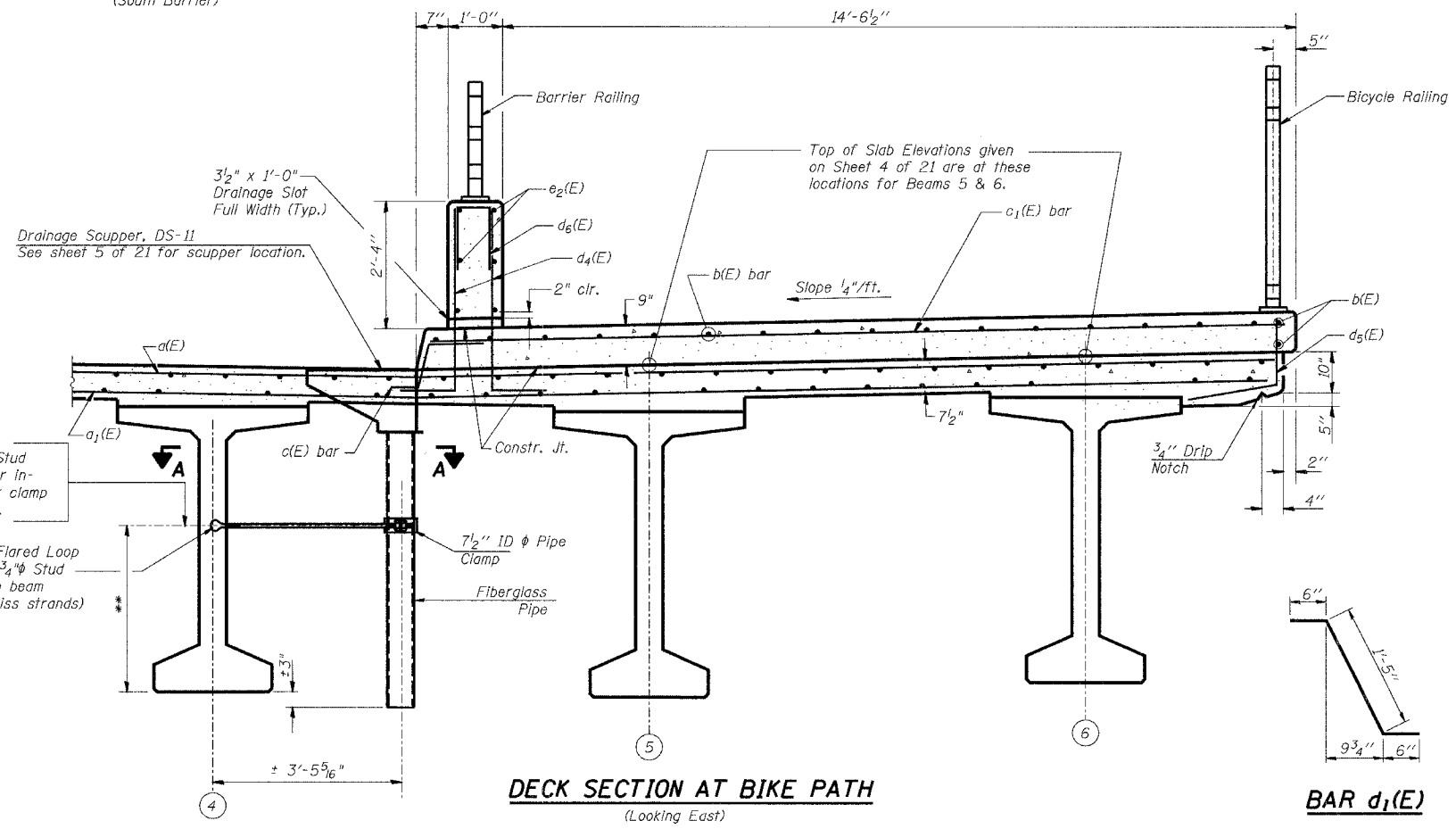
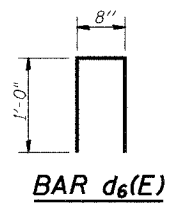
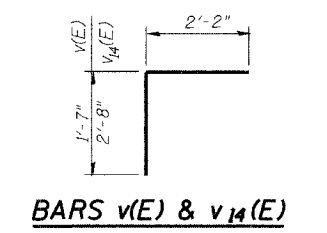
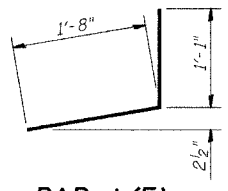
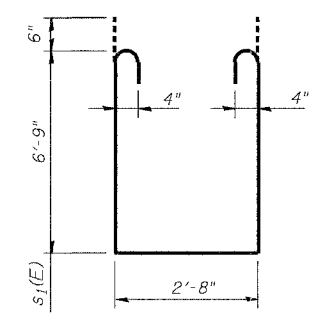
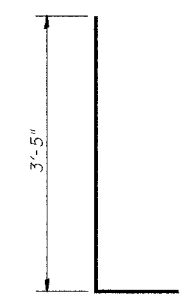
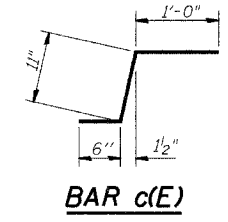
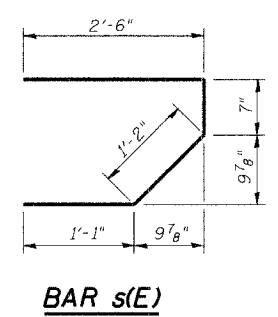
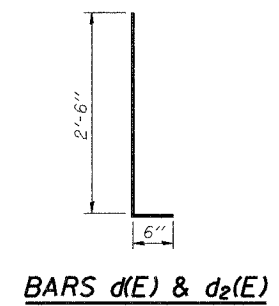
Bar	No.	Size	Length	Shape
a(E)	339	#5	24'-11"	—
a1(E)	339	#5	23'-1"	—
a2(E)	99	#6	6'-6"	—
a3(E)	16	#5	1'-6"	—
b(E)	268	#5	27'-11"	—
b1(E)	205	#5	22'-8"	—
c(E)	107	#5	2'-5"	┌
c1(E)	107	#5	15'-8"	—
d(E)	117	#5	3'-0"	┌
d1(E)	117	#5	2'-5"	┌
d2(E)	117	#4	3'-0"	┌
d3(E)	117	#4	3'-4"	┌
d4(E)	216	#5	4'-5"	┌
d5(E)	107	#5	2'-9"	┌
d6(E)	107	#5	2'-8"	┌
* d10(E)	108	#5	2'-6"	┌
* d11(E)	216	#5	2'-3"	┌
e(E)	24	#4	27'-8"	—
e1(E)	8	#8	29'-3"	—
e2(E)	32	#5	27'-11"	—
m(E)	36	#6	17'-9"	—
m1(E)	36	#6	10'-9"	—
m2(E)	10	#6	5'-2"	—
m3(E)	4	#6	2'-2"	—
s(E)	82	#5	5'-4"	┌
s1(E)	58	#4	17'-2"	┌
v(E)	62	#5	3'-9"	┌
v14(E)	32	#5	4'-10"	┌
Reinforcement Bars, Epoxy Coated		Pound	41,330	
Concrete Superstructure		Cu. Yds.	279.9	
Protective Coat		Sq. Yds.	642	
Bar Splicers		Each	94	

\* See Sht. 11 of 21 for location.

2-#5 a3(E) bars at 4" cts. (1'-6" lg.) tied to bottom of top reinforcement mat. typ.



**REINFORCEMENT PLAN AT DS-11 SCUPPERS**  
(South Barrier)



**DECK SECTION AT BIKE PATH**  
(Looking East)

\*\*For insert locations see Sht. 11 of 21.

**SUPERSTRUCTURE DETAILS**

Date	Designed ACW	<b>WINTER AVENUE OVER STONEY CREEK</b> SECTION 99-00209-02-PV CITY OF DANVILLE, IL VERMILION COUNTY STA. 106+34.70 PROP. STR. NO. 092-6033	Sheet No.
Revisions	Drawn BKN		<b>8</b>
	Checked KWB		of 21
	Approved KWB		URS Job No.
Prepared by:	<b>URS</b> 3040 North University Avenue Decatur, IL 62526		<b>36430866</b>