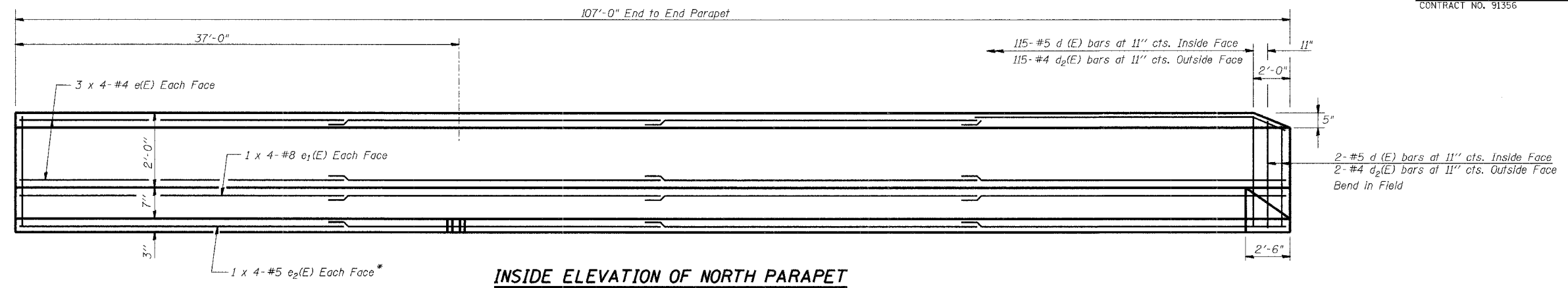
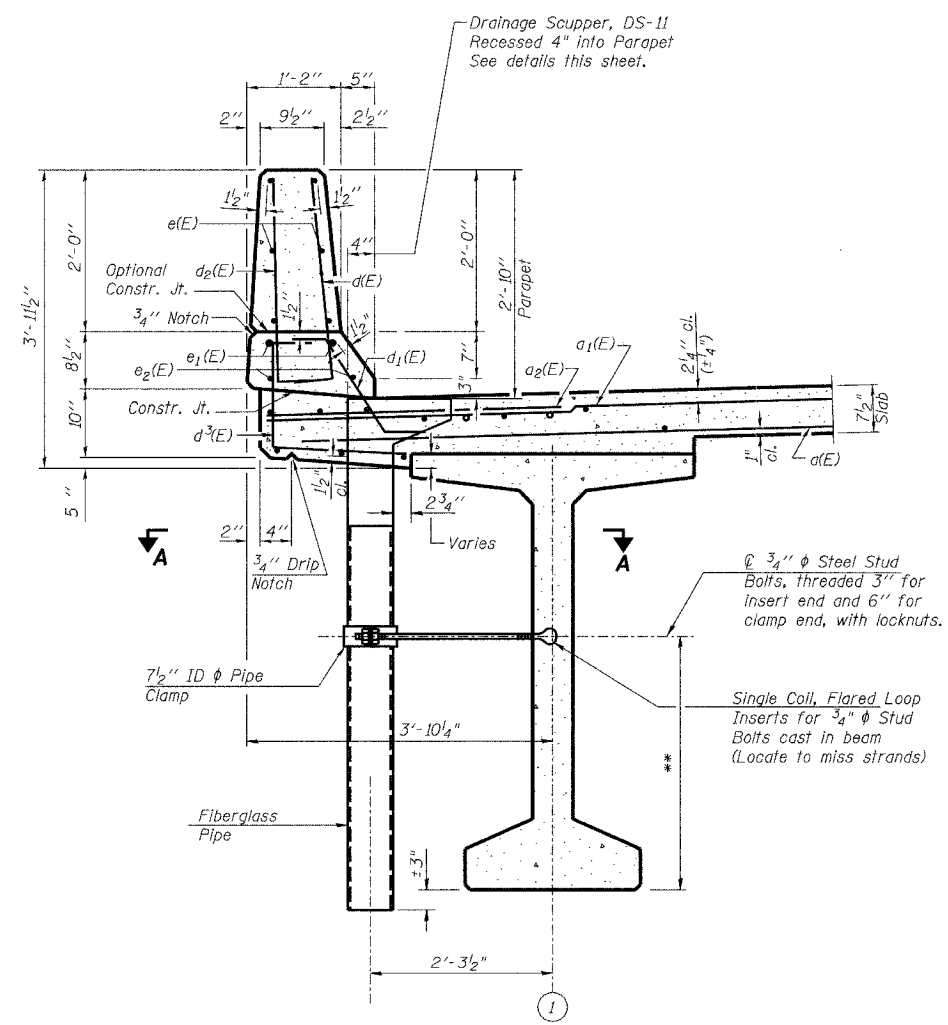


ROUTE NO.	SECTION	COUNTY	TOTAL SHEETS	SHEET NO.
FAU 6998	99-00209-02-PV	VERMILION	72	38
FED. ROAD DIST. NO.		ILLINOIS PROJECT		
CONTRACT NO. 91356				



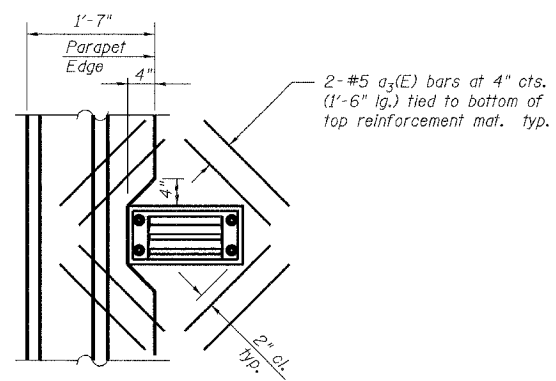
INSIDE ELEVATION OF NORTH PARAPET
(Looking North)

* Cut e₂(E) bar in Front Face at Recess



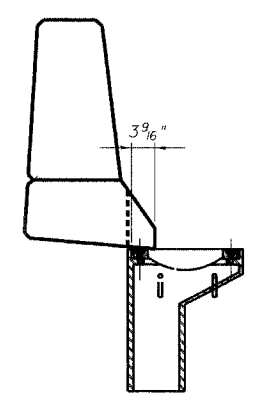
SECTION THRU PARAPET

**For insert locations see Sht. 11 of 21.



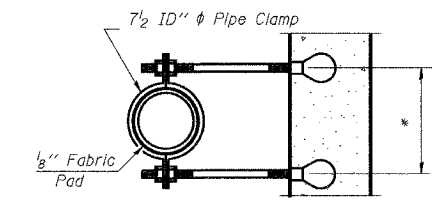
REINFORCEMENT PLAN AT DS-II SCUPPERS

(North Parapet)



SECTION THRU PARAPET AT DS-II SCUPPERS

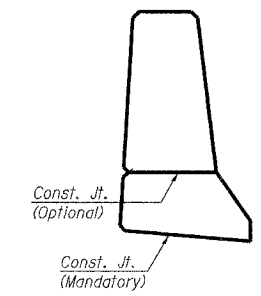
(North Parapet)



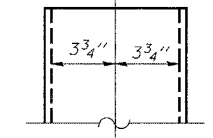
SECTION A-A

MIN. BAR LAP

- #4 = 1'-4"
- #5 = 1'-8"
- #8 = 3'-5"



PARAPET JOINT DETAIL



FIBERGLASS PIPE

Notes:

Fiberglass pipe shall conform to ASTM D2996, with short-time rupture strength hoop tensile stress of 30,000 p.s.i. minimum.
The clamping device and inserts shall be galvanized according to AASHTO M 232.

SUPERSTRUCTURE DETAILS			
Date	Designed ACW	WINTER AVENUE OVER STONEY CREEK SECTION 99-00209-02-PV CITY OF DANVILLE, IL VERMILION COUNTY STA. 106+34.70 PROP. STR. NO. 092-6033	Sheet No.
Revisions	Drawn BKN		7
	Checked KWB		of 21
	Approved KWB		URS Job No.
Prepared by:	URS 3040 North University Avenue Decatur, IL 62526		36430866