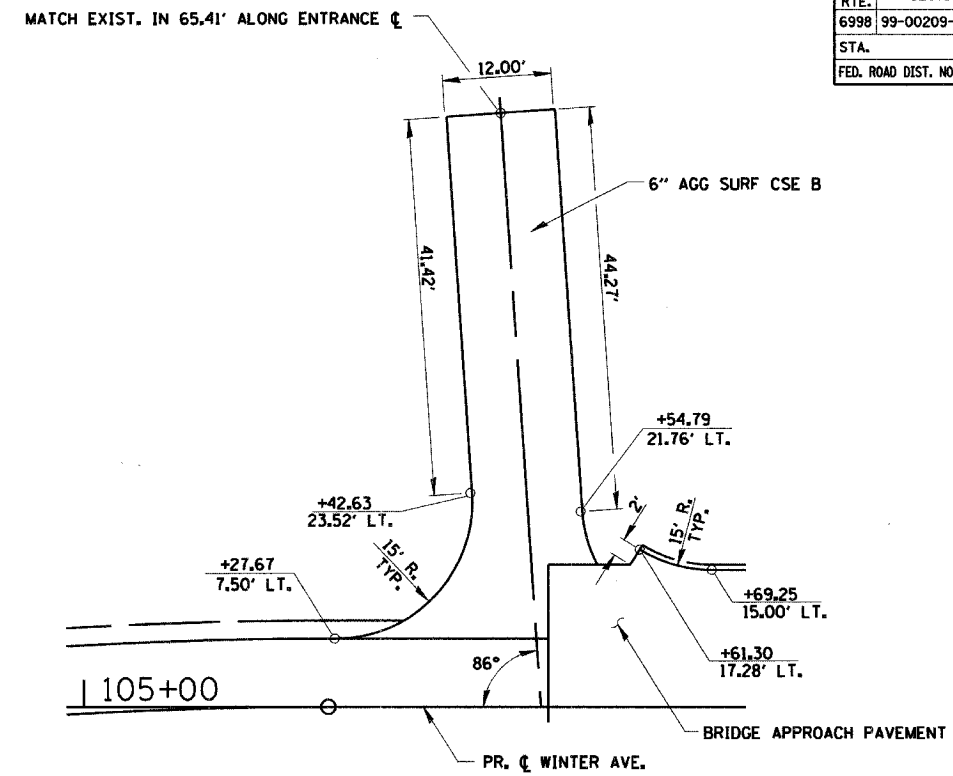
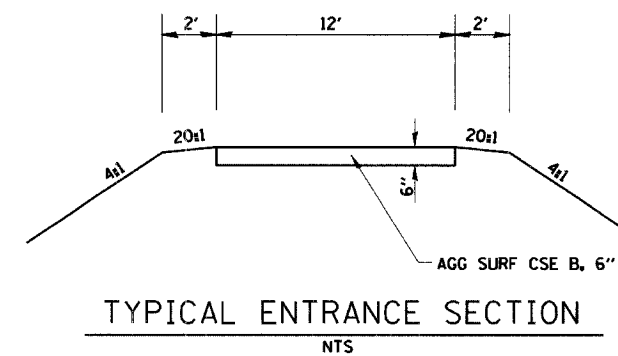


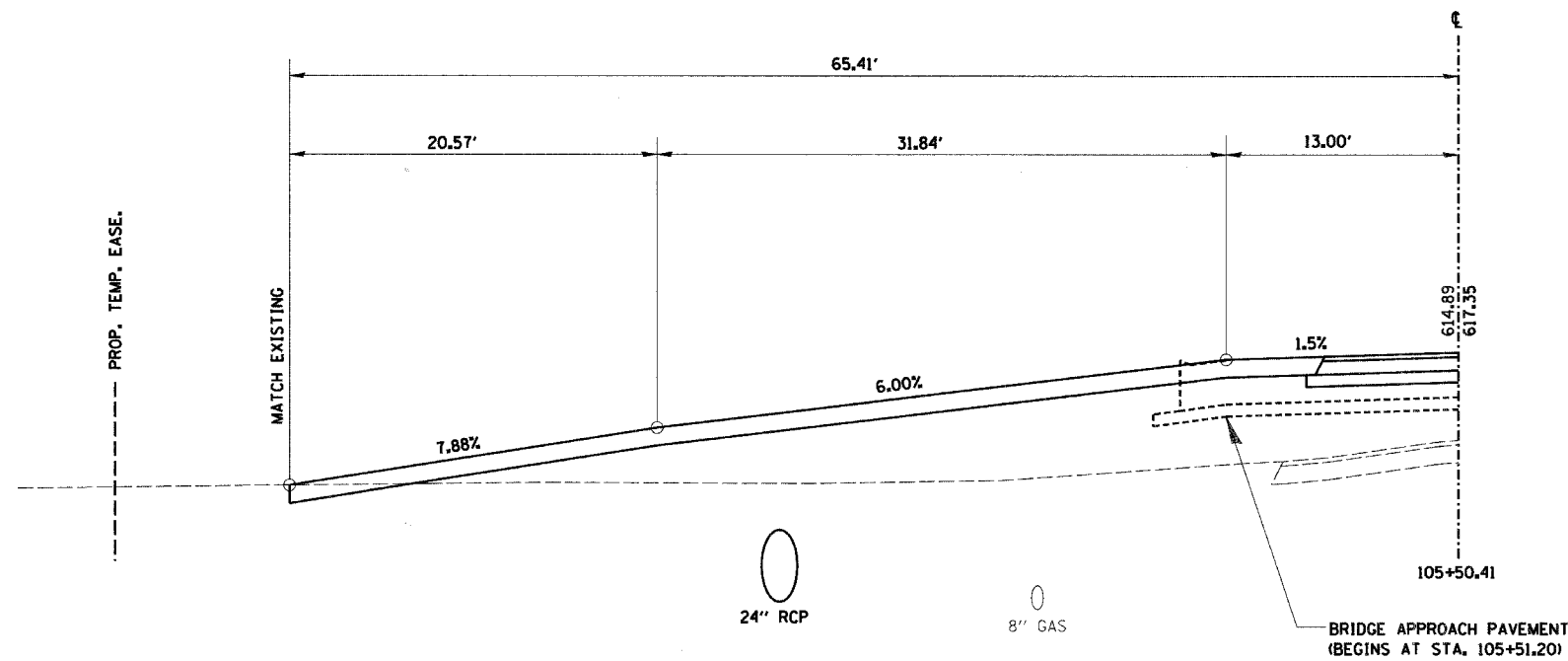
F.A.J. RTE.	SECTION	COUNTY	TOTAL SHEETS	SHEET NO.
6998	99-00209-02-PV	VERMILION	72	24
STA.	TO STA.			
FED. ROAD DIST. NO. ILLINOIS	FED. AID PROJECT-			
CONTRACT NO.: 91356				



PRIVATE ENTRANCE DETAIL
(P.E.) 105+50.41



TYPICAL ENTRANCE SECTION
NTS



ENTRANCE PROFILE DETAIL
NTS

PLAN	SURVEYED	DATE
NOTE BOOK	DESIGNED	
NO.	ALIGNED	
	BY	
	CHKD	
	DATE	
	BY	
	CHKD	
	DATE	

REVISIONS	
NAME	DATE

CITY OF DANVILLE, ILLINOIS
WINTER AVENUE RECONSTRUCTION
ENTRANCE DETAILS

SCALE: 1" = 10'
DRAWN BY: SRS

DATE: 12/30/05
CHECKED BY: MBF