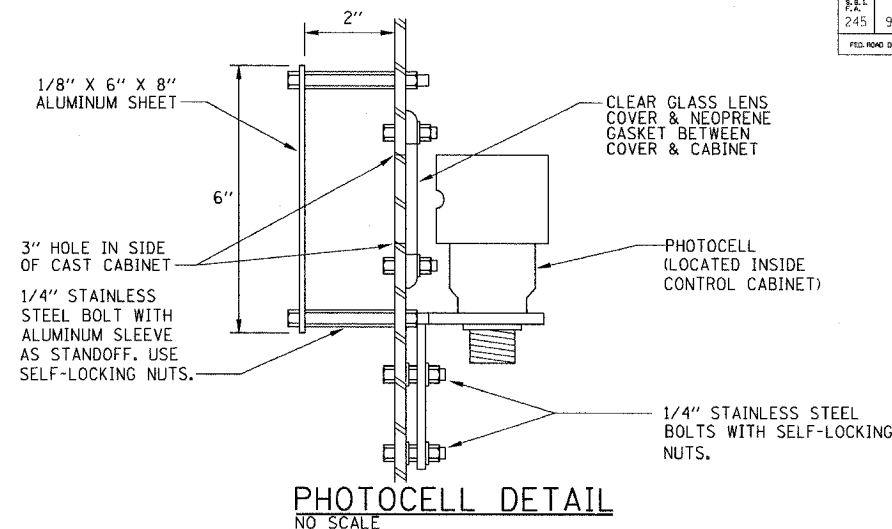
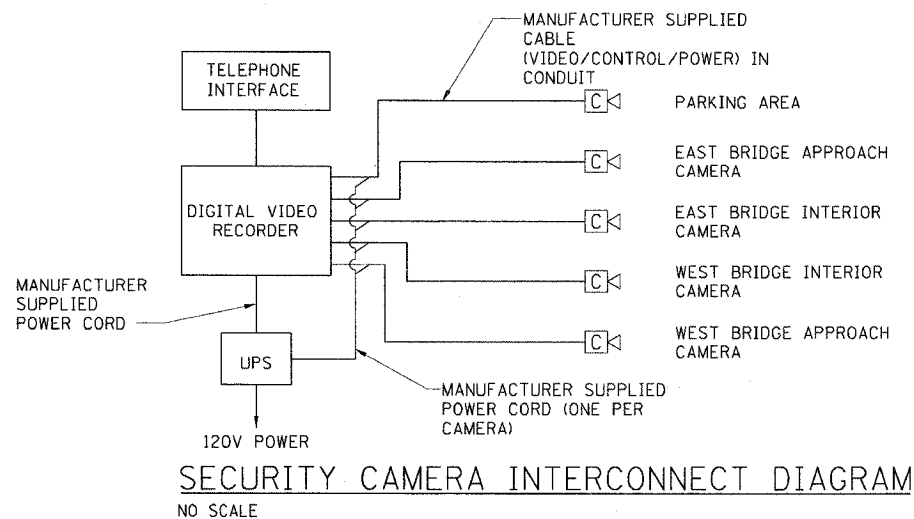


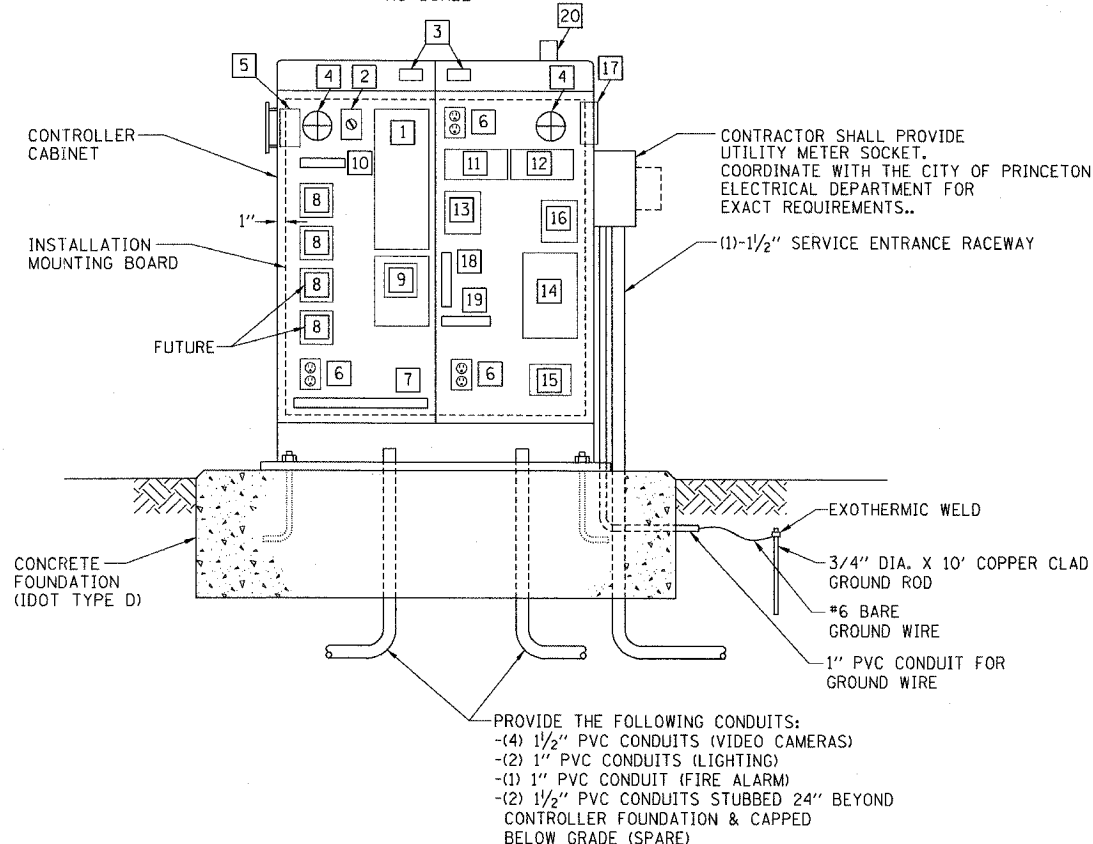
PROJECT	SECTION	COUNTY	SHEETS	SHEET
245	98-20101-00-BR	BUREAU	65	59
FED. ROAD DIST. NO. 7	ILLINOIS	FED. AID PROJECT	BROS-011(62)	
ELECTRICAL SHEET 1 OF 5				

**GENERAL NOTES**

- ALL CONSTRUCTION SHALL BE DONE IN ACCORDANCE WITH THE 2005 NATIONAL ELECTRICAL CODE, THE STATE OF ILLINOIS "STANDARD SPECIFICATIONS FOR ROAD AND BRIDGE CONSTRUCTION, ADOPTED JANUARY 1, 2002," THESE PLANS, AND THE SPECIAL PROVISIONS INCLUDED IN THE CONTRACT DOCUMENTS.
- ALL CONDUIT AND EQUIPMENT MOUNTED ON BRIDGE SHALL BE CONCEALED WHEREVER POSSIBLE. WHERE NOT POSSIBLE, CONTRACTOR SHALL CONFIRM LOCATION WITH ENGINEER IN FIELD PRIOR TO INSTALLATION. ALL EXPOSED CONDUIT, JUNCTION BOXES, MOUNTING BRACKETS, ETC. SHALL BE PAINTED TO MATCH SURROUNDING SURFACE.
- ALL EXPOSED CONDUIT SHALL BE RIGID GALVANIZED STEEL. ALL UNDERGROUND CONDUITS SHALL BE PERMITTED TO BE PVC.
- CONTRACTOR SHALL CONFIRM FINAL AIMING AND ZOOM OF CAMERAS AND AIMING OF FLOODLIGHTS WITH ENGINEER IN FIELD. TURN OVER ALL SOFTWARE PROVIDED WITH VIDEO SURVEILLANCE SYSTEM.
- ALL CONDUITS SHALL BE PROVIDED WITH AN INSULATED COPPER EQUIPMENT GROUNDING CONDUCTOR SIZED IN ACCORDANCE WITH THE 2002 NATIONAL ELECTRICAL CODE OR AS INDICATED ON THE DRAWINGS.
- CONTRACTOR SHALL BE RESPONSIBLE FOR BONDING AND GROUNDING ALL CONDUITS AS REQUIRED BY THE 2005 NATIONAL ELECTRICAL CODE.
- CAMERAS SHALL BE GROUNDED PER MANUFACTURER'S INSTRUCTIONS AND IN ACCORDANCE WITH THE 2005 NATIONAL ELECTRICAL CODE.
- ALL CLEARING AND GRUBBING SHALL BE CONSIDERED INCIDENTAL TO THE CONTRACT.
- THE LOCATION OF EXISTING ELECTRIC POWER LINES, TELEPHONE LINES, AND OTHER UTILITIES AS SHOWN ON THE PLANS ARE BASED ON THE BEST INFORMATION AVAILABLE, BUT THE LOCATIONS ARE NOT GUARANTEED. IT SHALL BE THE CONTRACTOR'S RESPONSIBILITY TO ASCERTAIN THEIR EXACT LOCATION FROM THE INDIVIDUAL UTILITY COMPANIES AND BY FIELD INSPECTION. IT IS THE CONTRACTORS RESPONSIBILITY TO REPAIR ANY UTILITIES DAMAGED DURING THE COURSE OF CONSTRUCTION AT NO ADDITIONAL COST.
- THE CONTRACTOR SHALL PROTECT AND CAREFULLY PRESERVE ALL SECTION OR SUBSECTION MONUMENTS UNTIL THE OWNER, HIS AGENT, PROFESSIONAL LAND SURVEYOR HAS WITNESSED OR OTHERWISE REFERENCED THEIR LOCATION.
- CONTRACTOR IS RESPONSIBLE FOR STABILITY OF THE SIDES OF THE EXCAVATION.



LIGHTING CONTROLLER BILL OF MATERIALS			
QTY	ITEM	DESCRIPTION	
1	1	100A, 120/240V, 1Ø, 20 CIRCUIT PANELBOARD (INTERIOR ONLY, NO PANEL TUB), QUANTITY OF BREAKERS AS SHOWN IN PANELBOARD SCHEDULE	
1	2	HAND-OFF-AUTO SELECTOR SWITCH WITH LEGEND PLATE.	
2	3	120 VAC, 20A, 1P PLUNGERTYPE SWITCH FOR CONTROLLER LIGHT, DOOR ACTIVATED	
2	4	INCANDESCENT LIGHT FIXTURE WITH CLEAR GLOBE AND PROTECTIVE GUARD. PROVIDE 60WATT, 130VAC LAMP.	
1	5	PHOTOCELL SWITCH WITH LOCKING TYPE RECEPTACLE AND INTEGRAL SURGE ARRESTORS. PHOTOCELL SHALL BE CABINET MOUNTED AND SHIELDED FROM SURROUNDING LIGHT SOURCES, WITH TIME DELAY RELAY TO PREVENT NUISANCE SWITCHING. (SEE PHOTOCELL DETAIL).	
3	6	DUPLEX RECEPTACLE, 120VAC, 20A, GFCI TYPE.	
1	7	TERMINAL STRIPS. QUANTITY AS REQUIRED FOR INCOMING WIRING PLUS 100% SPARE TERMINALS. PROVIDE SEPARATE TERMINAL STRIPS FOR POWER, NEUTRAL AND GROUND WIRING AS REQUIRED.	
2	8	LIGHTING CONTACTOR, 30A, 240VAC, 2 POLE, 120VAC ELECTRICALLY HELD COIL. PROVIDE SPACE FOR ADDITIONAL CONTACTORS.	
1	9	TRANSIENT VOLTAGE SURGE SUPPRESSOR	
1	10	CONTROL WIRING TERMINAL BLOCK	
1	11	1500W, 120/240V, UNINTERRUPTIBLE POWER SUPPLY FOR DIGITAL VIDEO RECORDER AND CAMERAS	
1	12	DIGITAL VIDEO RECORDER (DVR)	
1	13	DATA JACK TO CONNECT LAPTOP TO DVR FOR LOCAL VIEWING OF RECORDED IMAGES	
1	14	FIRE ALARM CONTROL PANEL	
1	15	AUTO DIALER	
1	16	FIRE ALARM HORN	
1	17	THERMOSTATICALLY CONTROLLED EXHAUST FAN	
1	18	TELEPHONE PUNCHDOWN BLOCK	
1	19	STRIP HEATER	
1	20	WEATHERPROOF FIRE ALARM STROBE LIGHT	



PAY ITEM CODE	DESCRIPTION	UNIT	QUANTITY
80400105	ELECTRIC SERVICE INSTALLATION, SPECIAL	EACH	1
80700110	GROUND ROD, 3/4" DIA. X 10 FT.	EACH	3
81012300	CONDUIT IN TRENCH, 1" DIA. PVC	FOOT	496
81012500	CONDUIT IN TRENCH, 1/2" DIA. PVC	FOOT	480
81100300	CONDUIT ATTACHED TO STRUCTURE, 1" DIA., GALVANIZED STEEL	FOOT	270
81100500	CONDUIT ATTACHED TO STRUCTURE, 1/2" DIA., GALVANIZED STEEL	FOOT	450
81500200	TRENCH AND BACKFILL FOR ELECTRICAL WORK	FOOT	450
81702100	ELECTRIC CABLE IN CONDUIT, 600V (XLP-TYPE USE) 1/C NO. 12	FOOT	450
81702110	ELECTRIC CABLE IN CONDUIT, 600V (XLP-TYPE USE) 1/C NO. 10	FOOT	1910
92500505	LIGHTING CONTROLLER, SPECIAL	EACH	1
83600210	LIGHT POLE FOUNDATION, 24" DIAMETER, SPECIAL	FOOT	29
	LUMINAIRE, METAL HALIDE, VERTICAL MOUNT, 250 WATT, SPOT TYPE DISTRIBUTION	EACH	2
	LUMINAIRE, METAL HALIDE, VERTICAL MOUNT, 250 WATT, NARROW HORIZONTAL SPOT TYPE DISTRIBUTION	EACH	2
	LUMINAIRE, METAL HALIDE, WALL PACK, 100 WATT	EACH	3
	LIGHT POLE, STEEL 16 FT. M.H., TENON MOUNT	EACH	2
	LIGHT POLE, STEEL, 16 FT. M.H., TENON MOUNT, DOUBLE	EACH	1
	FIRE ALARM SYSTEM, COMPLETE	L.SUM	1
	VIDEO SURVEILLANCE SYSTEM, SPECIAL	L.SUM	1
	VIDEO/CONTROL/POWER CABLE, SPECIAL	FOOT	930
X8011010	TELEPHONE SERVICE INSTALLATION	L.SUM	1
	SERVICE LATERAL, SPECIAL	FOOT	195

**ELECTRICAL GENERAL NOTES AND CONTROLLER DETAILS**  
SECTION 98-20101-00-BR  
T.R. 245 OVER BIG BUREAU CREEK  
STA. 13+70 (S.N. 006-4288)  
BUREAU COUNTY

WILLET,  
HOFMANN &  
ASSOCIATES, INC.  
CONSULTING ENGINEERS

Land Surveying - Transportation - Structural  
Environmental - Architecture

WHA # 1104004

Designed By:  
J.J.F.  
Date: August, 05

Checked By:  
C.E.C.  
Date: August, 05

Drawn By:  
M.E.W.  
Date: August, 05