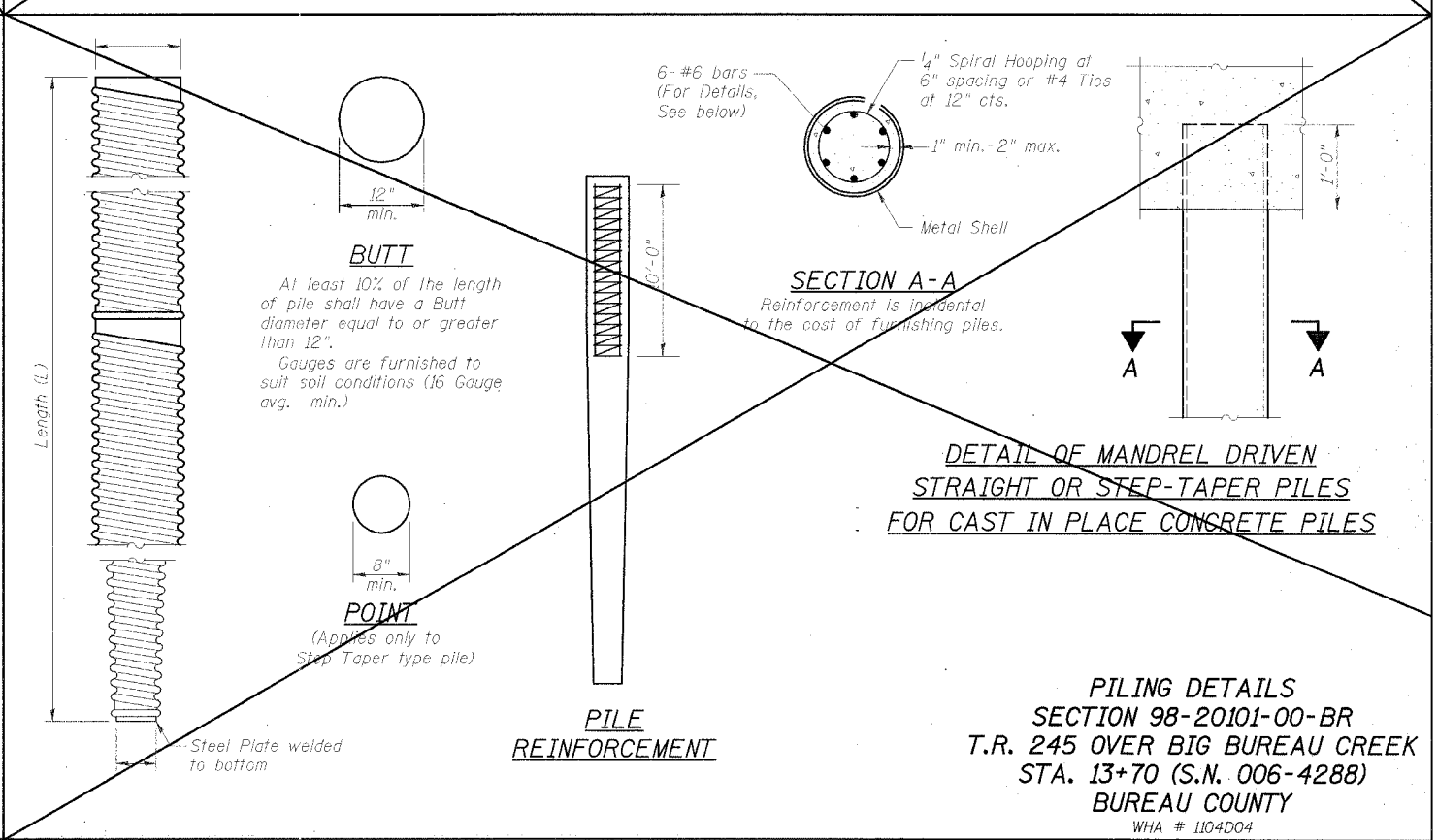
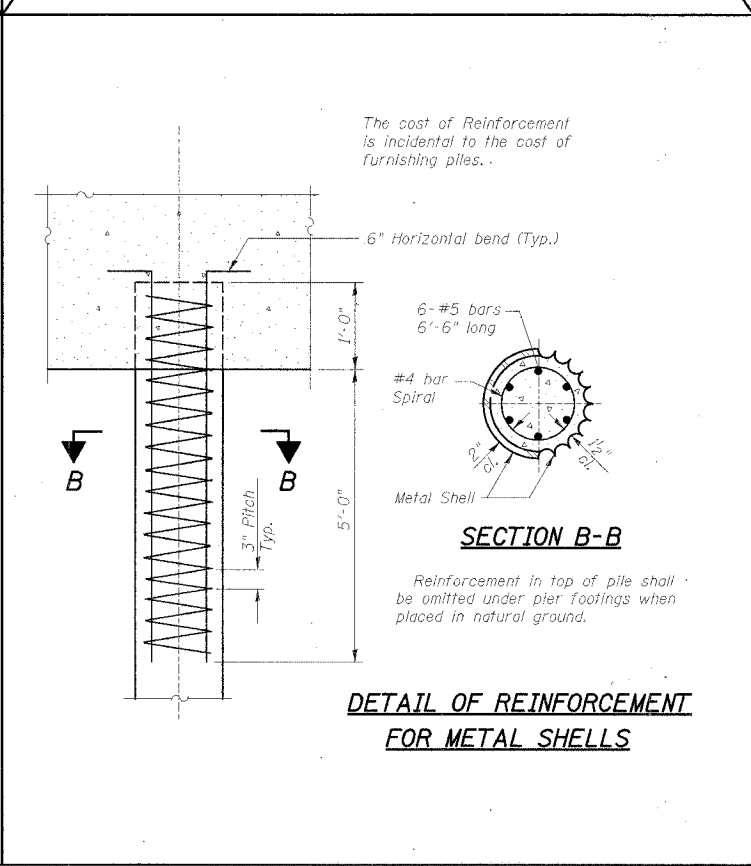
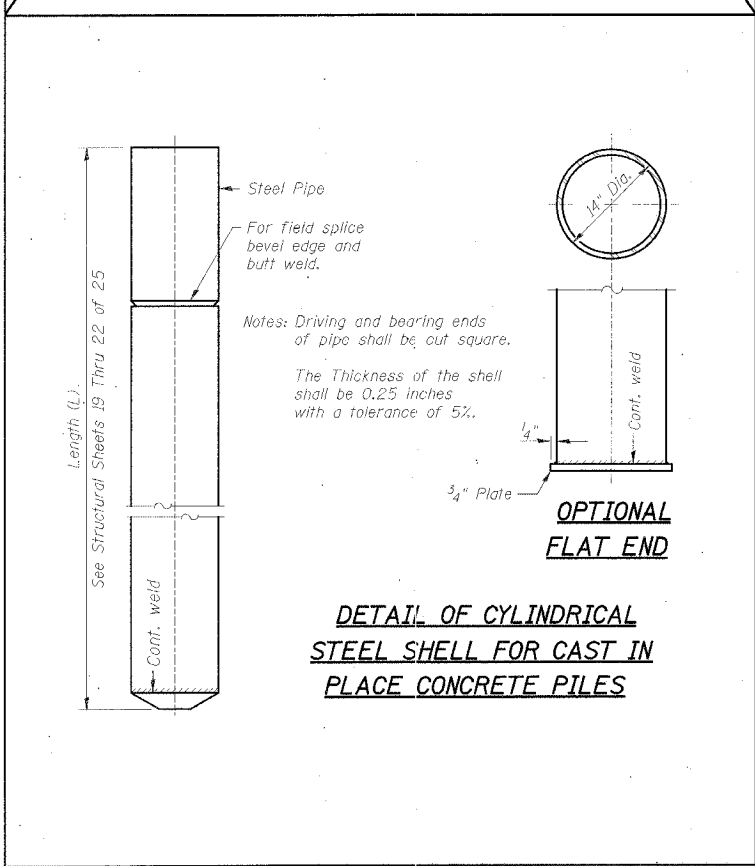
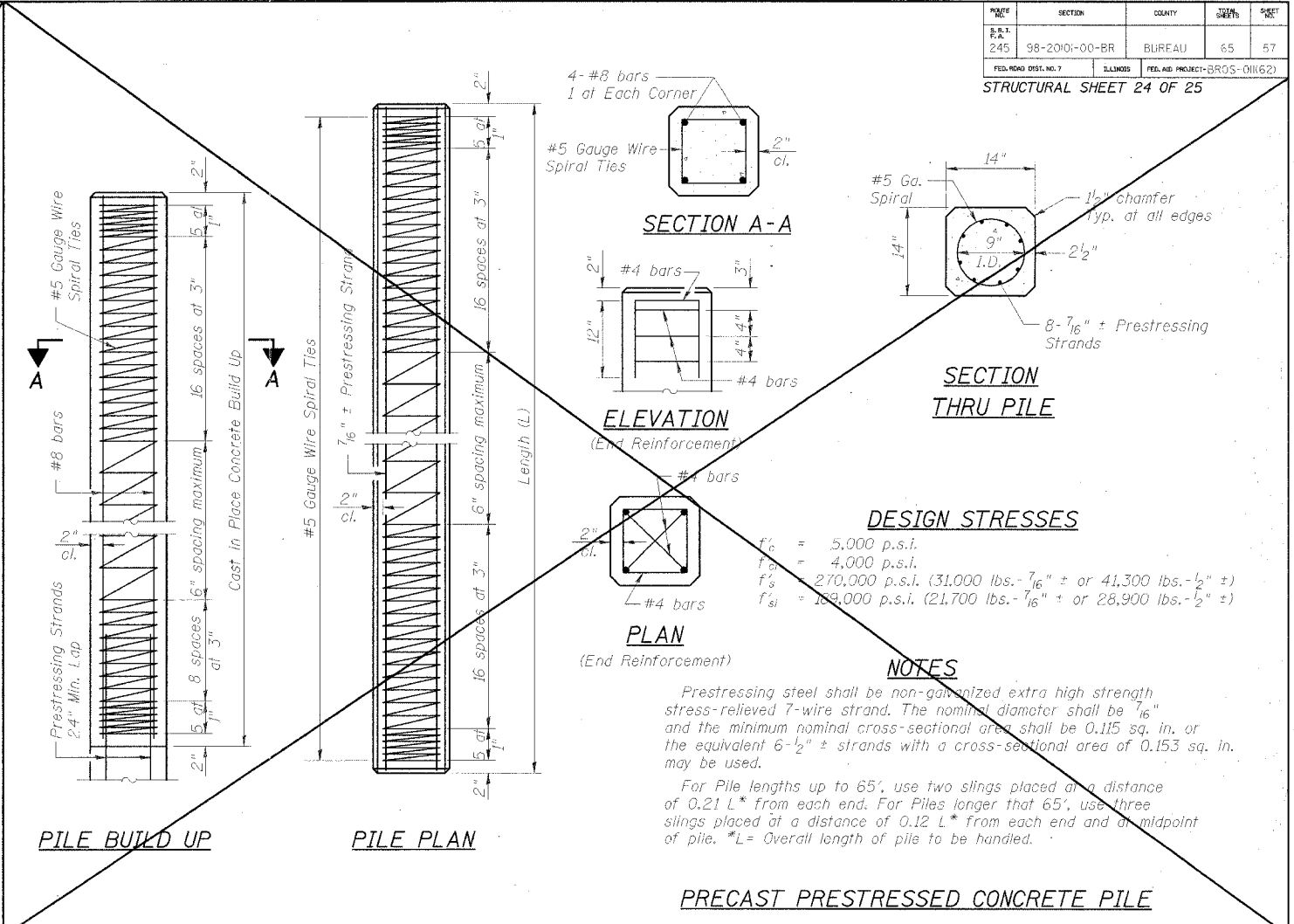
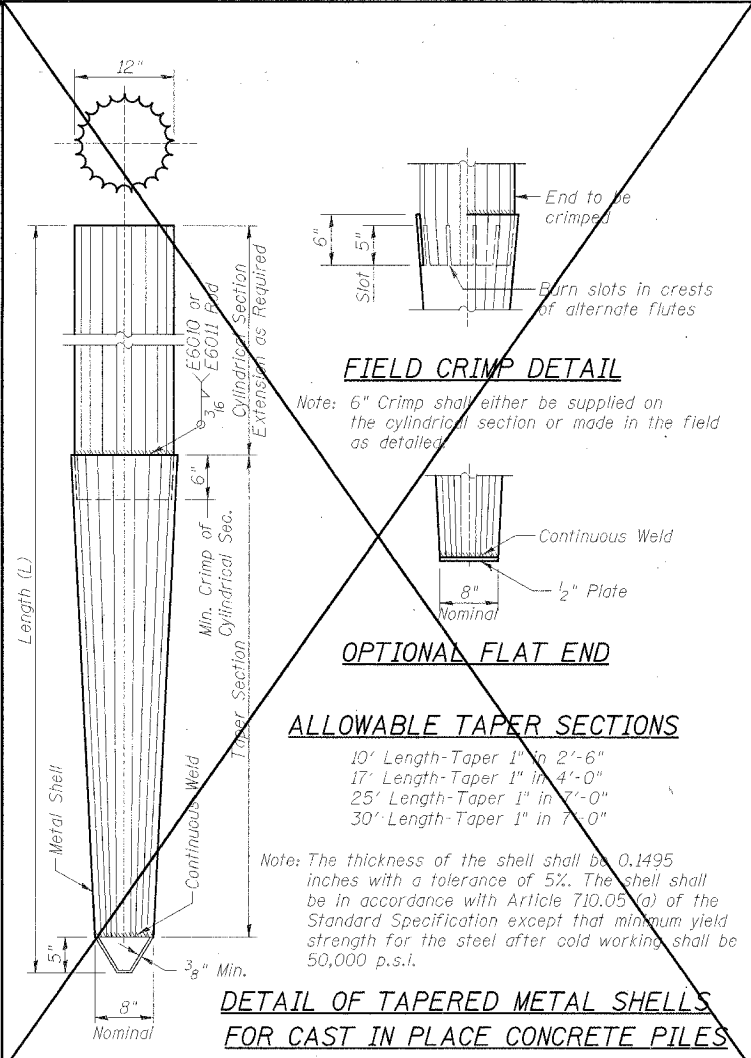
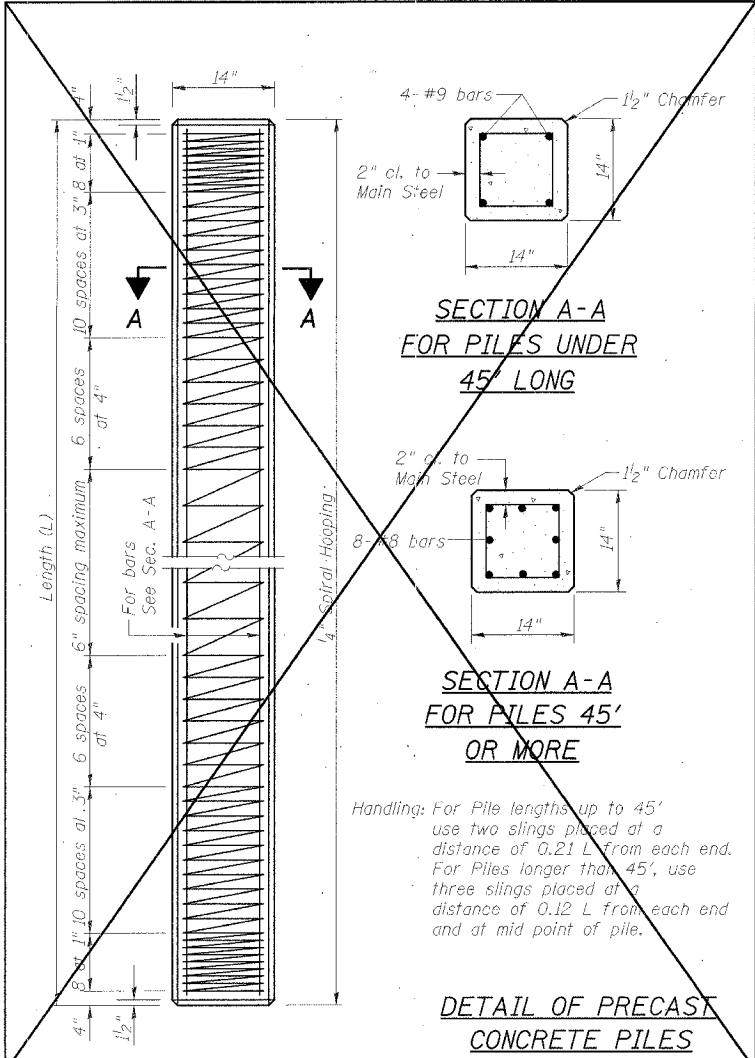


DATE	SECTION	COUNTY	SHEET	TOTAL
245	98-20101-00-BR	BUREAU	65	57
PROJECT NO. 98-20101-00-BR		SHEET NO. 24 OF 25		



PILING DETAILS
SECTION 98-20101-00-BR
T.R. 245 OVER BIG BUREAU CREEK
STA. 13+70 (S.N. 006-4288)
BUREAU COUNTY
WHA # 1104D04