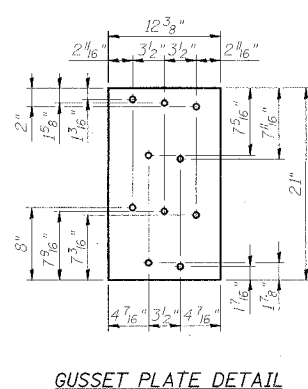
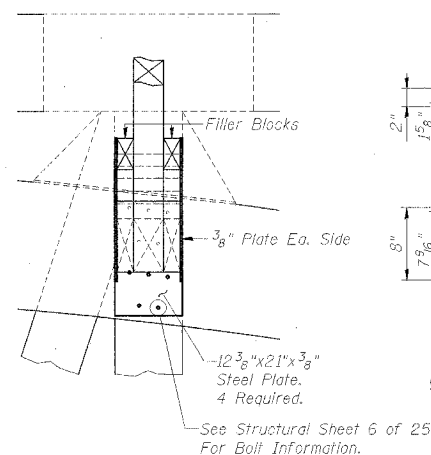
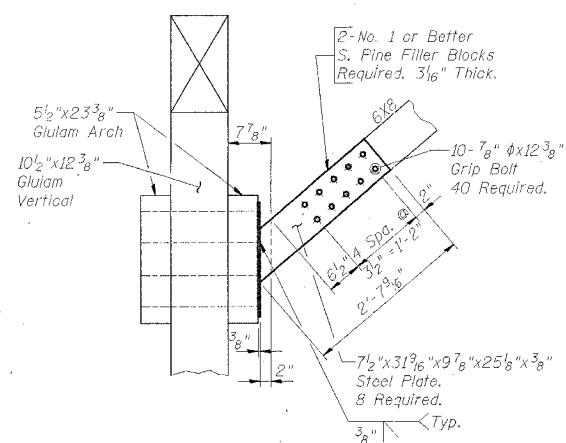
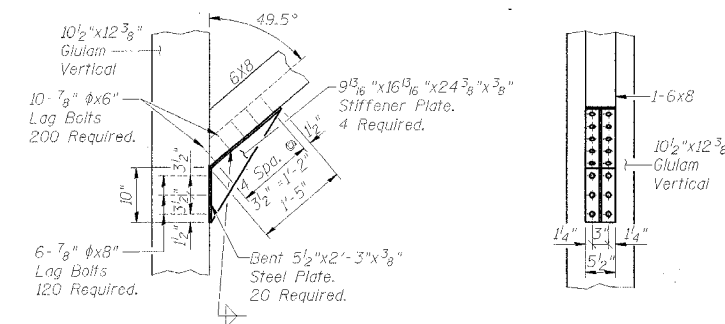


PROJECT	SECTION	COUNTY	SHEET
245	98-20101-00-BR	BUREAU	65
FED. ROAD DIST. NO. 7		TITLE	FED. AID PROJECT - BROS-011(62)
STRUCTURAL SHEET 16 OF 25			



GUSSET PLATE DETAIL

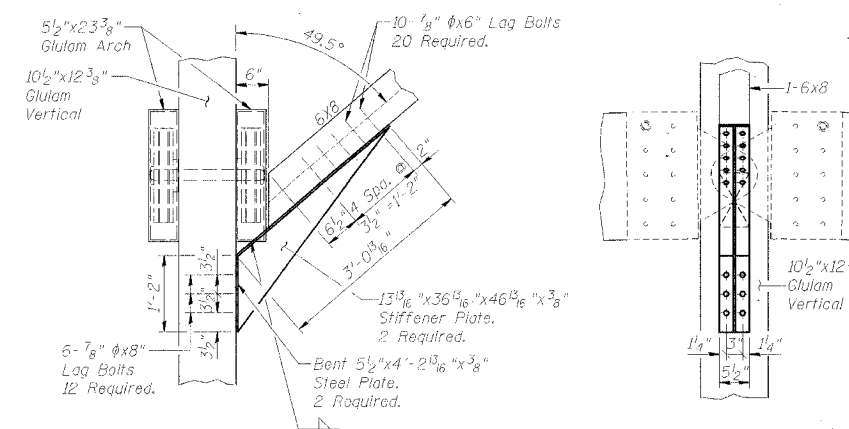


ROOF TRUSS TO VERTICAL CONNECTION

U<sub>1</sub> Thru U<sub>5</sub> & U<sub>11</sub> Thru U<sub>15</sub>  
(20 Required)

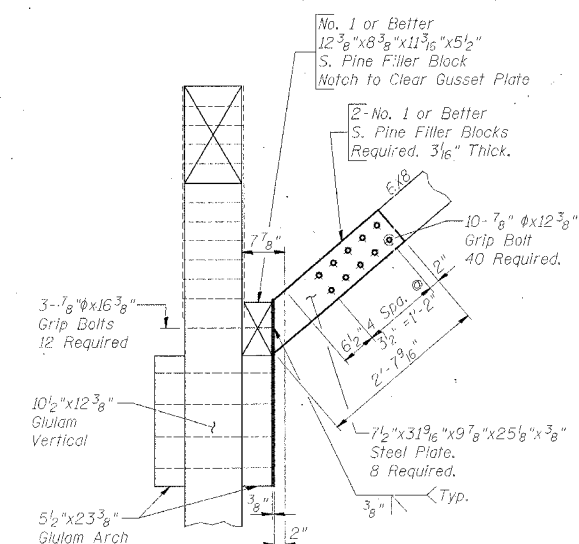
ROOF TRUSS TO VERTICAL CONNECTION

U<sub>7</sub> & U<sub>9</sub>  
(4 Required)



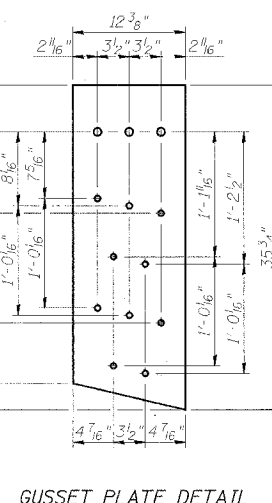
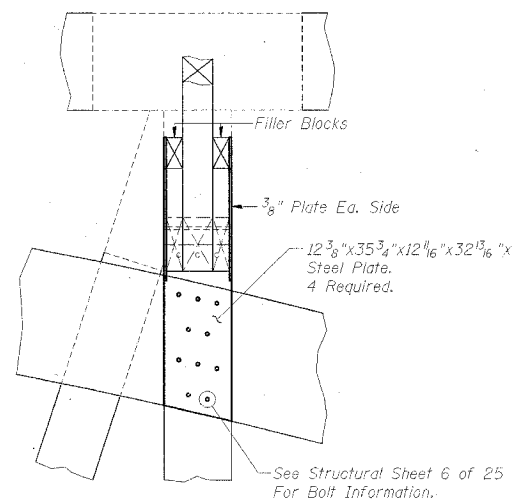
ROOF TRUSS TO VERTICAL CONNECTION

U<sub>8</sub>  
(2 Required)

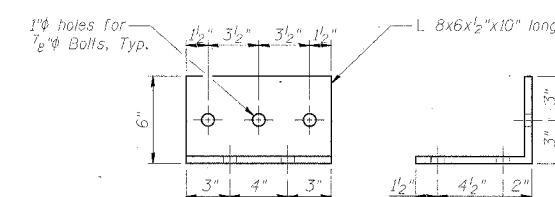


ROOF TRUSS TO VERTICAL CONNECTION

U<sub>6</sub> & U<sub>10</sub>  
(4 Required)



GUSSET PLATE DETAIL



ROOF TRUSS CONNECTION CLIP

ROOFING DETAILS  
SECTION 98-20101-00-BR  
T.R. 245 OVER BIG BUREAU CREEK  
STA. 13+70 (S.N. 006-4288)  
BUREAU COUNTY