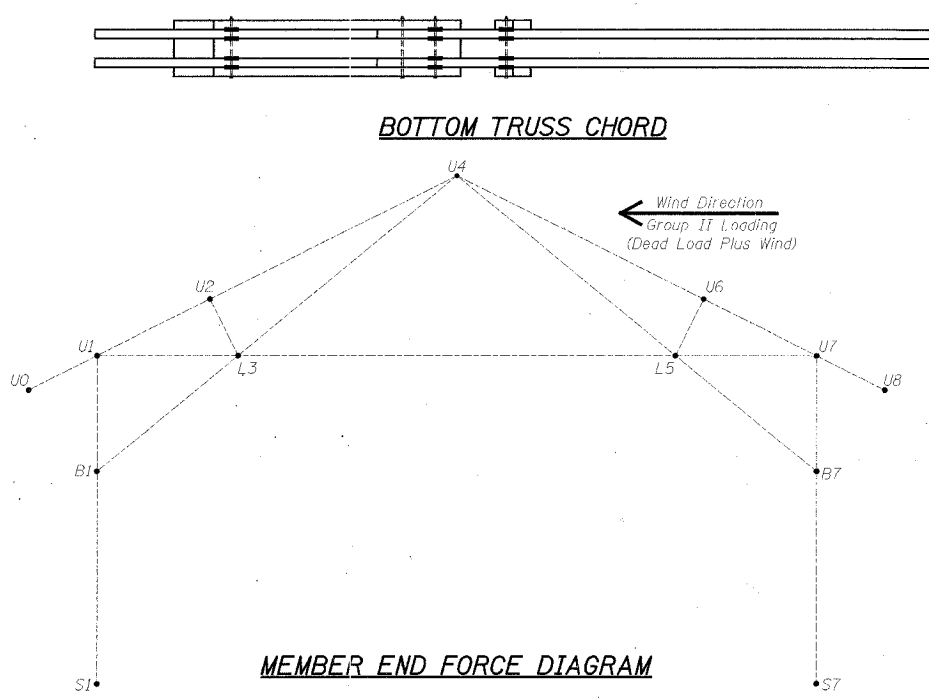
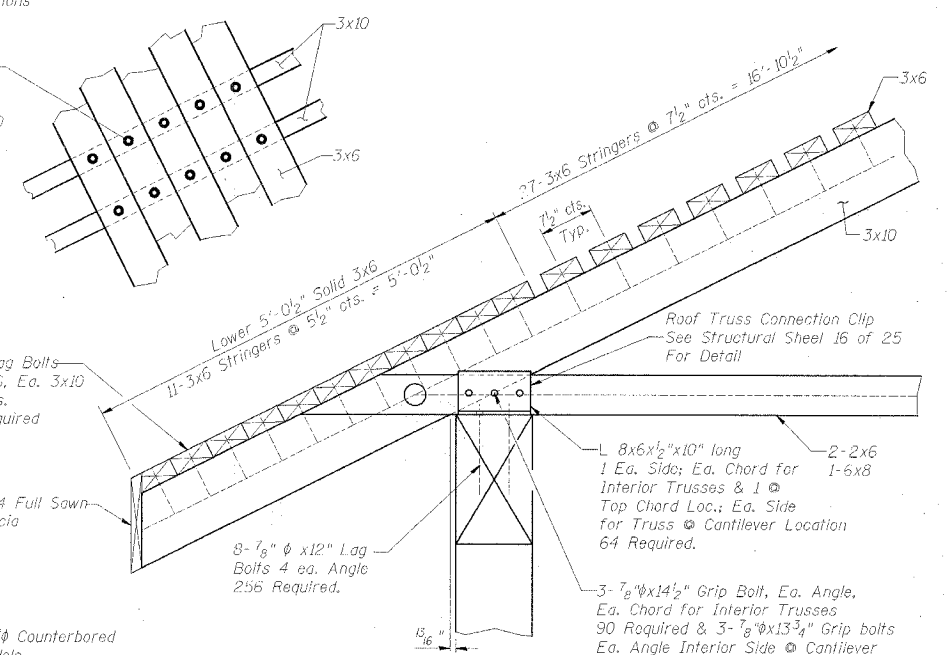
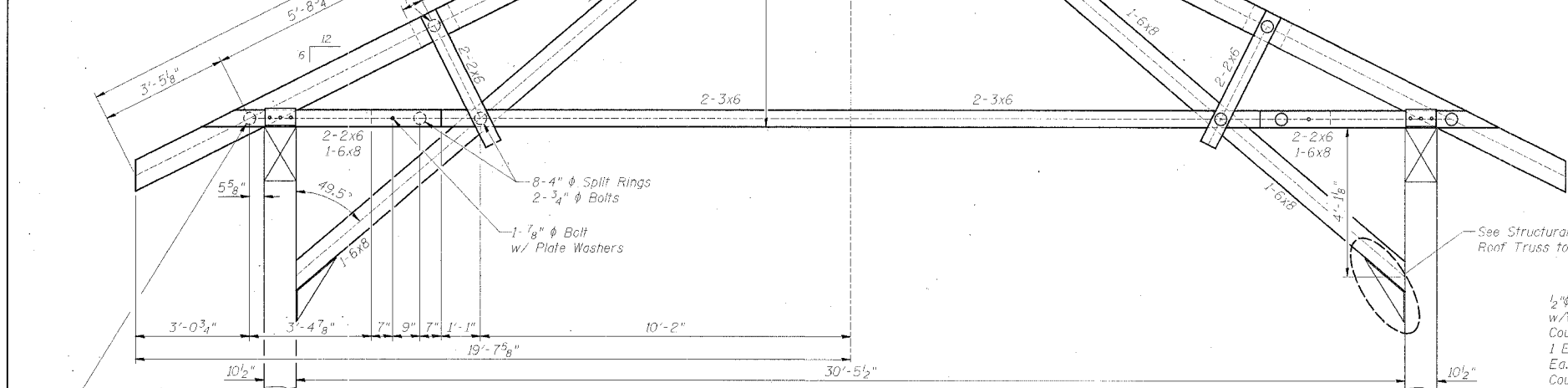
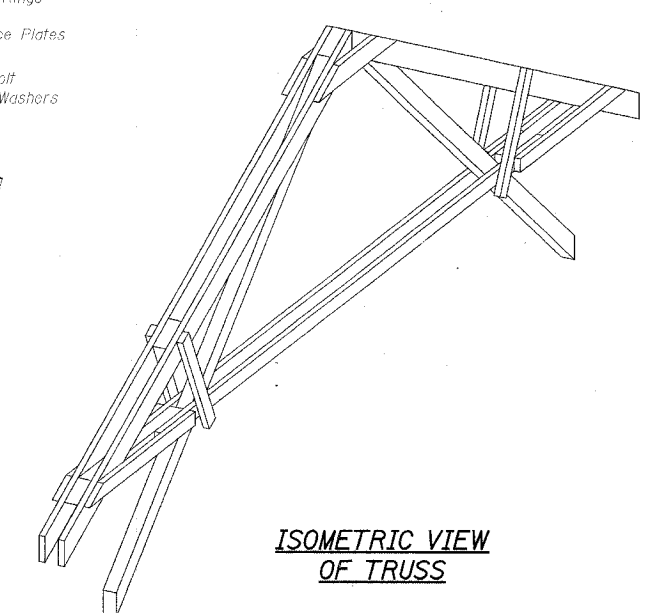
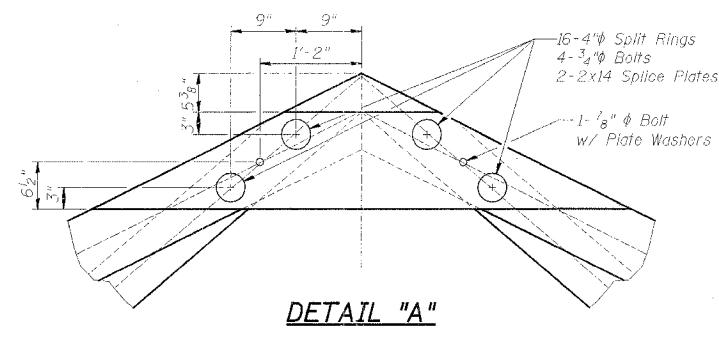
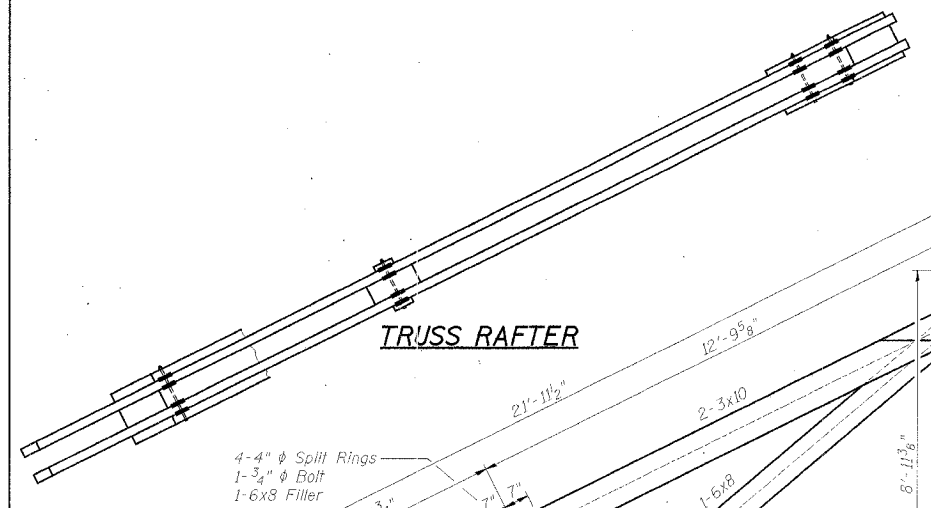


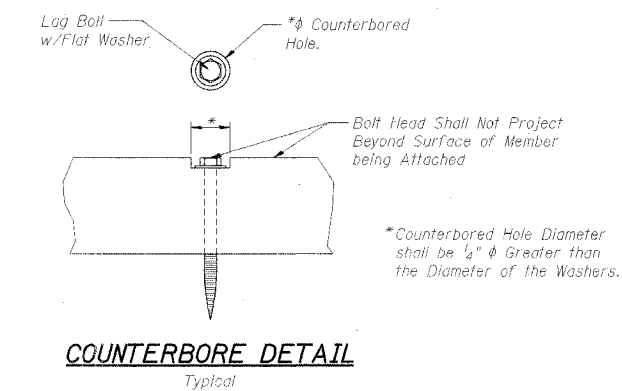
PROJECT	SECTION	COUNTY	SHEETS	SHEET
245	98-20101-00-BR	BUREAU	65	48
FED. ROAD DIST. NO. 7	BLDG. NO.	FED. AID PROJECT-	BROS-011(62)	

STRUCTURAL SHEET 15 OF 25



LOAD TABLE

Member Location	I Node	J Node	I Node			J Node		
			Axial k	Shear k	Moment ft-k	Axial k	Shear k	Moment ft-k
Knee Brace	B1	L3	17.31	-0.03	0.00	17.27	-0.03	0.00
Knee Brace	L3	U4	14.39	-0.07	0.00	14.29	-0.07	0.00
Knee Brace	U4	L5	-14.03	-0.07	0.00	-13.93	-0.07	0.00
Knee Brace	L5	B7	-11.29	-0.03	0.00	-11.25	-0.03	0.00
Bottom Chord	U1	L3	-2.01	0.12	0.00	-2.01	0.16	0.70
Bottom Chord	L3	L5	1.60	-0.13	0.70	1.60	0.09	0.22
Bottom Chord	L5	U7	-3.58	-0.07	0.22	-3.58	0.05	0.00
Top Chord	U0	U1	-0.07	0.13	0.13	-0.15	0.30	0.61
Top Chord	U1	U2	-10.57	-0.60	2.38	-10.66	0.68	2.89
Top Chord	U2	U4	-10.97	-0.78	2.89	-11.23	0.39	-1.09
Top Chord	U4	U6	14.10	1.06	-3.31	13.28	-1.29	-3.31
Top Chord	U6	U7	12.34	0.85	1.82	12.08	0.50	-1.42
Top Chord	U7	U8	0.52	0.60	1.10	0.22	0.25	0.20
Strut	U2	L3	1.49	0.00	0.00	1.50	0.00	0.00
Strut	L5	U6	2.16	0.00	0.00	2.15	0.00	0.00
Vertical	S1	B1	22.3	4.3	0	22.3	4.3	33.8
Vertical	B1	U1	11.8	-9.21	33.8	11.8	-9.21	0
Vertical	S7	B7	9.1	3.5	0	9.1	3.5	27.2
Vertical	B7	U7	15.3	-7.2	27.4	15.3	-7.2	0



ROOFING DETAILS
SECTION 98-20101-00-BR
T.R. 245 OVER BIG BUREAU CREEK
STA. 13+70 (S.N. 006-4288)
BUREAU COUNTY
WHA # 1104D04