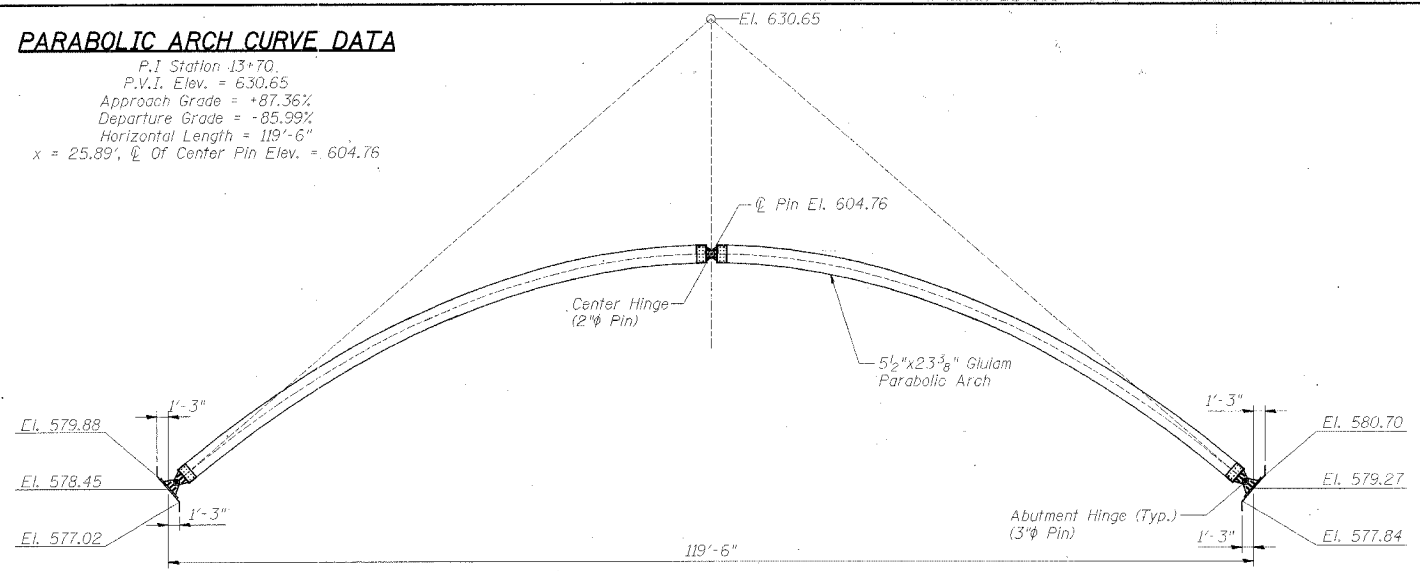


DATE	SECTION	COUNTY	NO.	SHEET
245	98-20101-00-BR	BUREAU	65	47
FED. ROAD DIST. NO. 7		ALLIANCE	FED. AID PROJECT-BROS-OW(62)	

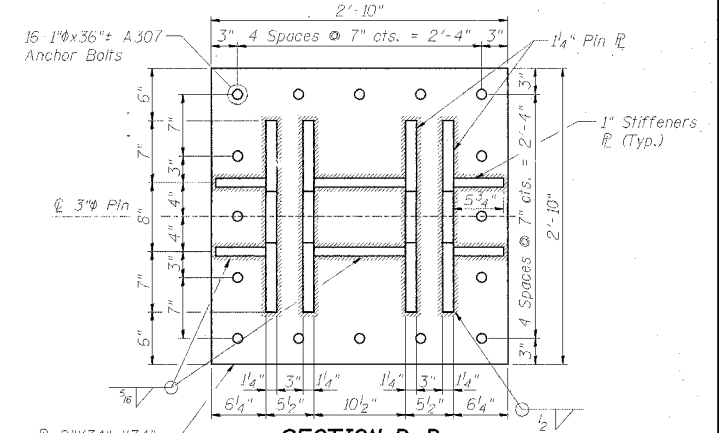
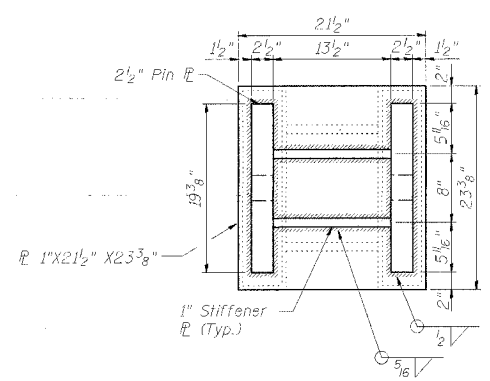
STRUCTURAL SHEET 14 OF 25

PARABOLIC ARCH CURVE DATA

P.I. Station 13+70.
 P.V.I. Elev. = 630.65
 Approach Grade = +87.36%
 Departure Grade = -85.99%
 Horizontal Length = 119'-6"
 x = 25.89', ϕ Of Center Pin Elev. = 604.76

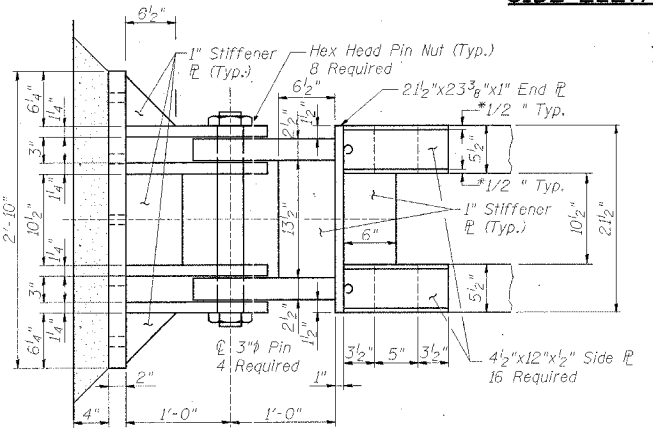


PARABOLIC ARCH SIDE ELEVATION VIEW

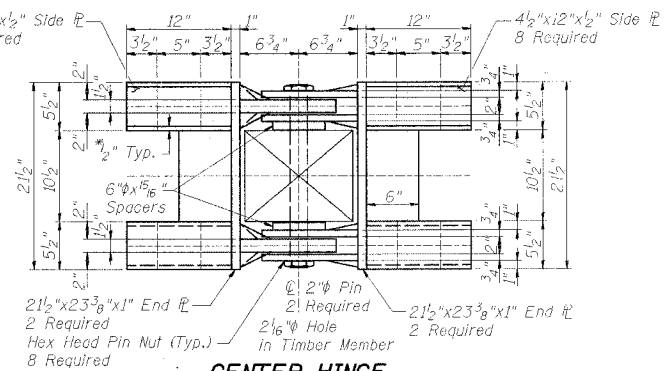
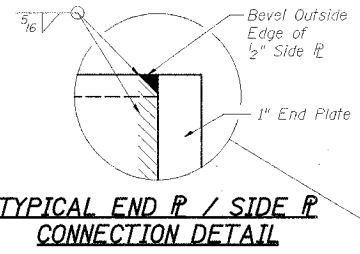


SECTION C-C ARCH END P AT ABUTMENT
 4 Required

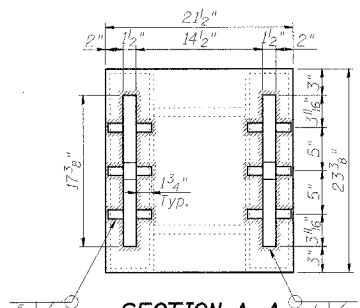
SECTION D-D ABUTMENT BASE P
 4 Required



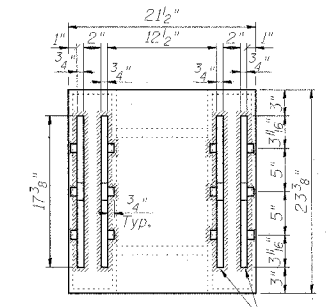
ABUTMENT HINGE - PLAN VIEW
 (Anchor, Bolts and Bolts not Shown)



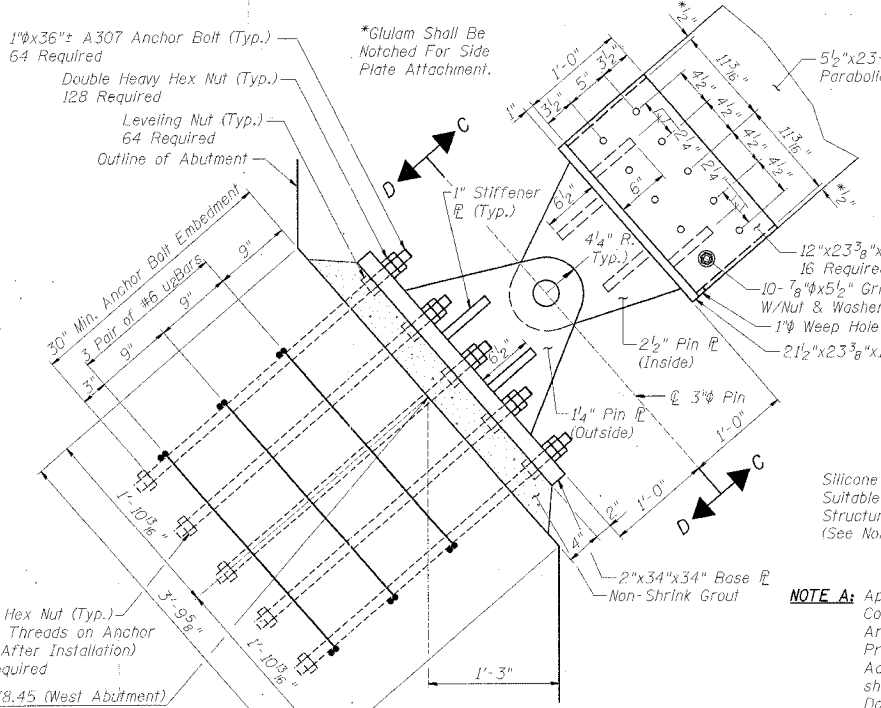
CENTER HINGE PLAN VIEW



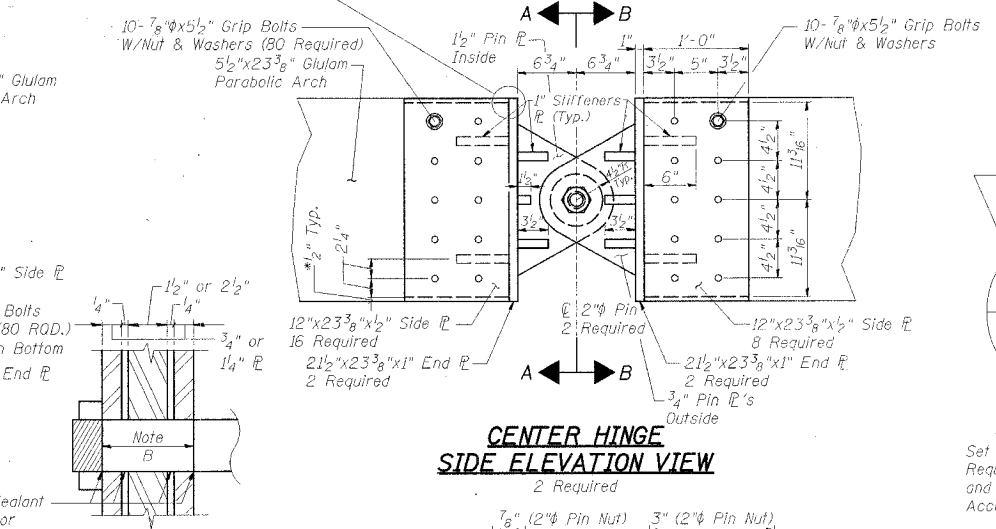
SECTION A-A ARCH END P
 2 Required



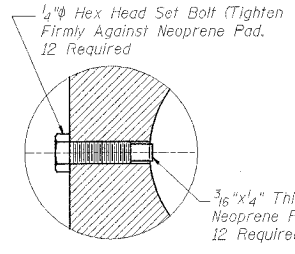
SECTION B-B ARCH END P
 2 Required



ABUTMENT HINGE SIDE ELEVATION VIEW
 4 Required
 (Pin Nut not Shown)

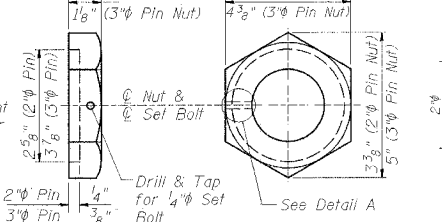


CENTER HINGE SIDE ELEVATION VIEW
 2 Required

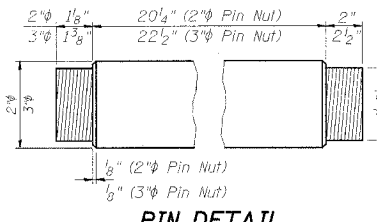


DETAIL A

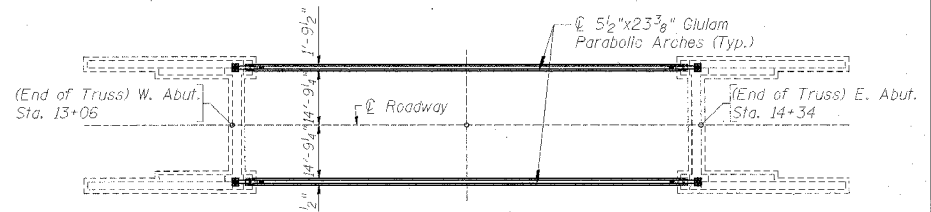
Set Bolt Shall Conform To The Requirements of ASTM A307 and Shall be Galvanized According to AASHTO M232.



NUT DETAIL
 (Recess One Nut Only)



PIN DETAIL
 2" Pin (2 Required)
 3" Pin (4 Required)



PARABOLIC ARCH LAYOUT PLAN VIEW

GENERAL NOTES

See Structural Sheet 19 and 21 for Abutment and Reinforcement Details in Addition to Those Shown on This Sheet.

Side Plates, End Plates, Pin Plates, Base Plates and Stiffener Plates shall be AASHTO M270, Grade 50. All Plates shall Conform to the Minimum Charpy V-Notch Toughness of 25-Ft.-Lbs. at 40° F.

The Glulam Parabolic Arch Manufacturer shall Shop Attach the Fabricated Hinge Pin Shoe Assembly to Each End of the Glulam Parabolic Arch to Assure Uniform Bearing Between the End of the Glulam Parabolic Arch and the Steel Hinge Pin Shoe End Plate.

The Cost of the FIXED HINGE PIN ASSEMBLIES shall Include the Pins, Nuts, Side Plates, End Plates, Pin Plates, Base Plates, Stiffener Plates, and Silicone Sealant. All Other Fabrications shall be Included in the Cost for Furnishing and Erecting Structural Steel.

Holes for Pins shall be 1/50 of an Inch Larger than the Diameter of the Pin.

PARABOLIC ARCH DETAILS
 SECTION 98-20101-00-BR
 T.R. 245 OVER BIG BUREAU CREEK
 STA. 13+70 (S.N. 006-4288)
 BUREAU COUNTY
 WHA # 1104D04