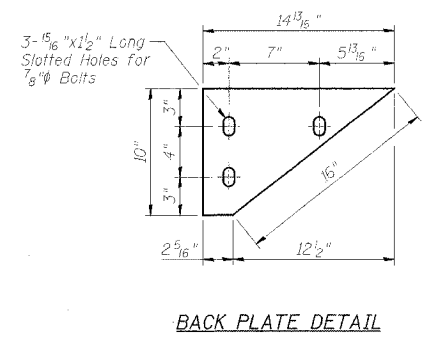
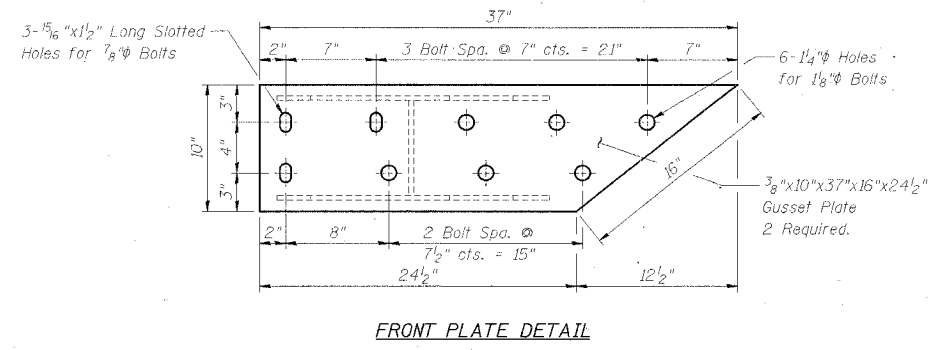
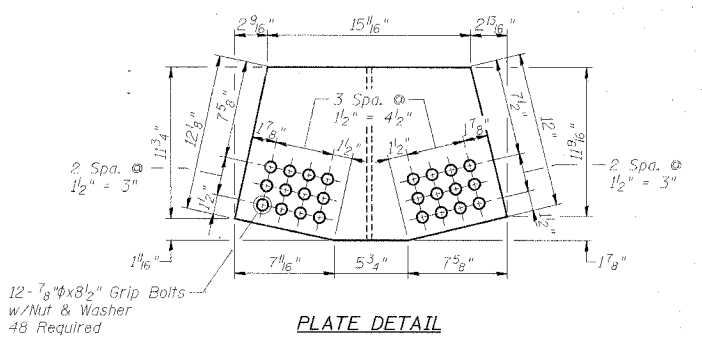
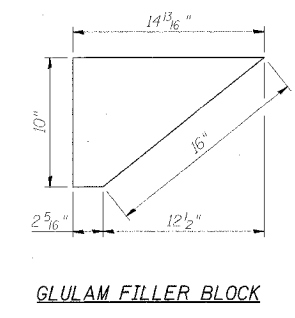
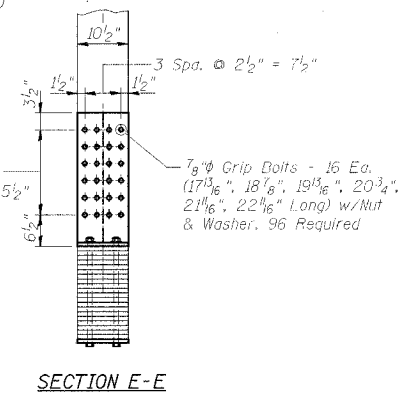
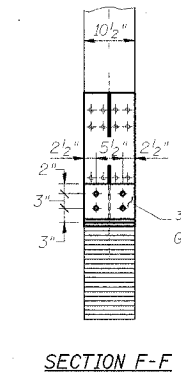
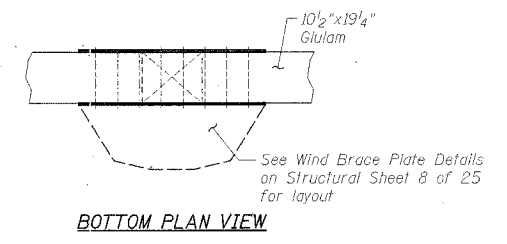
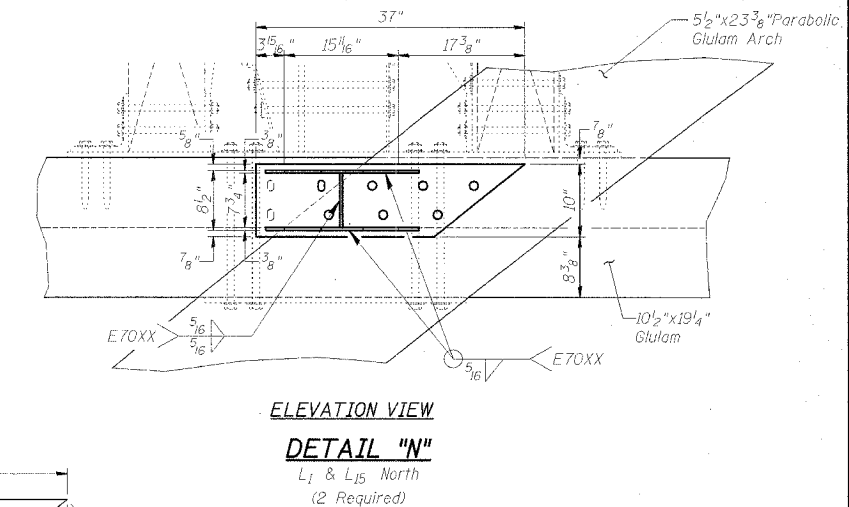
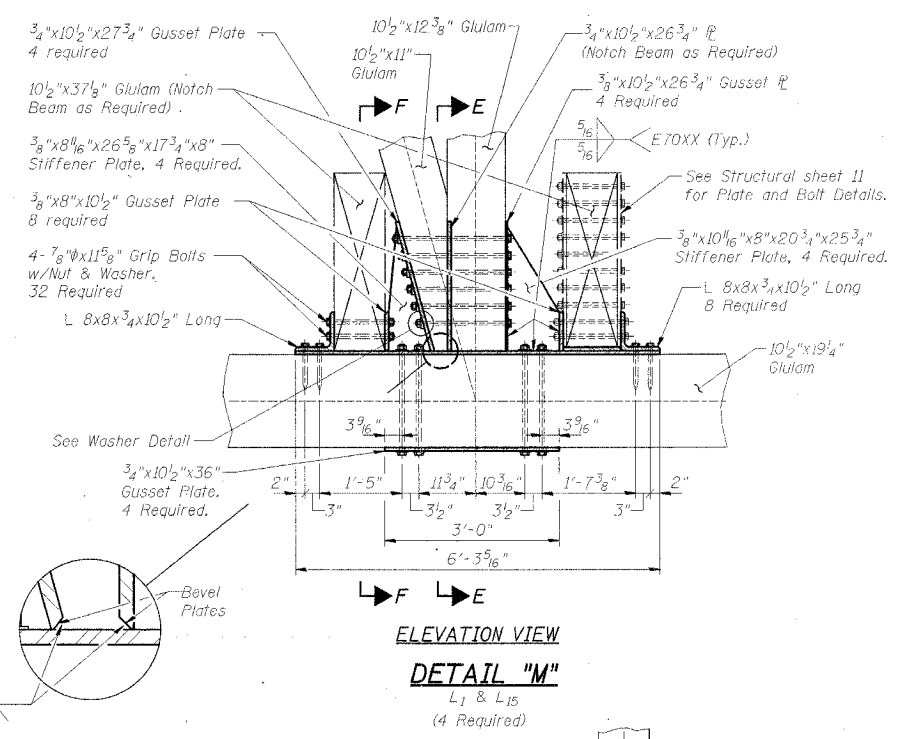
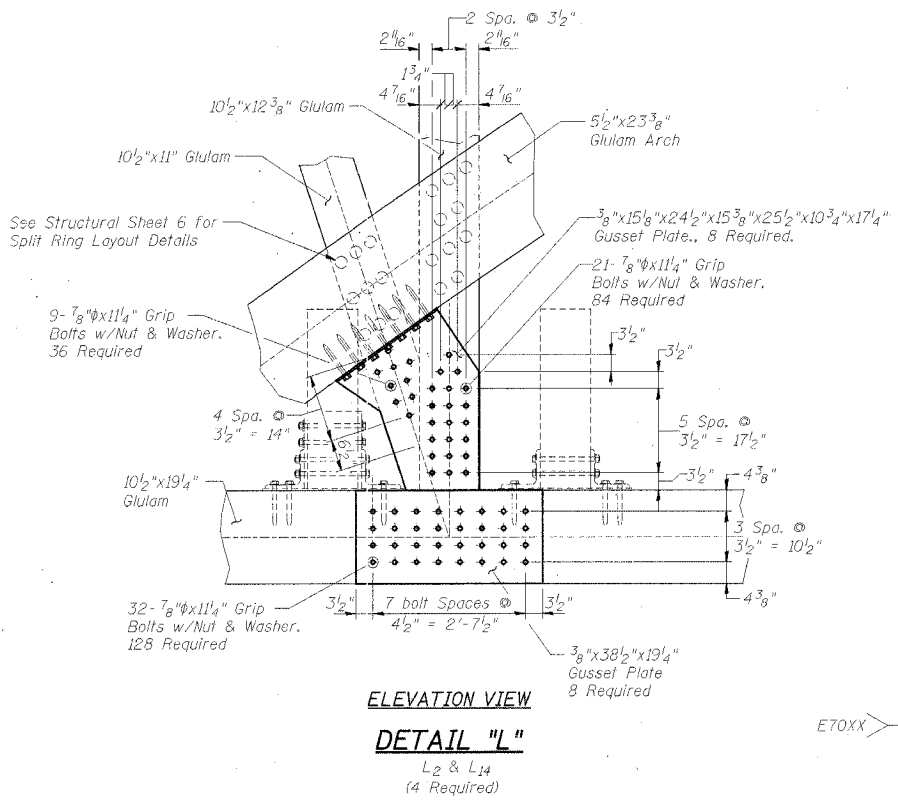
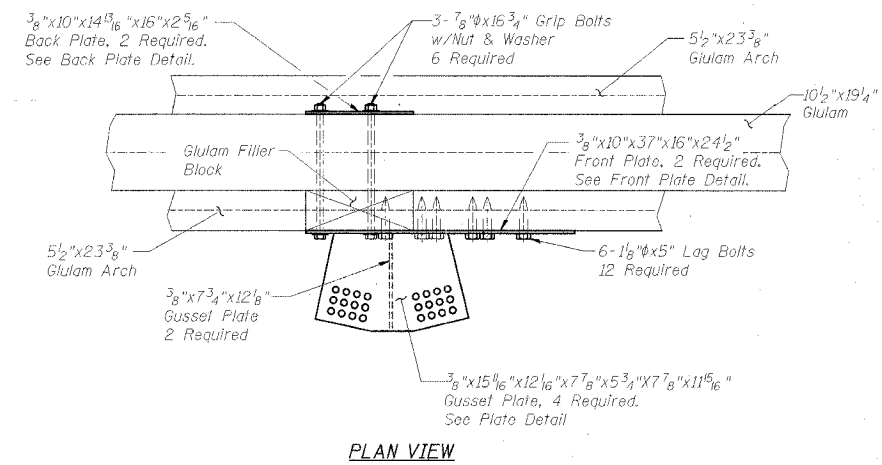
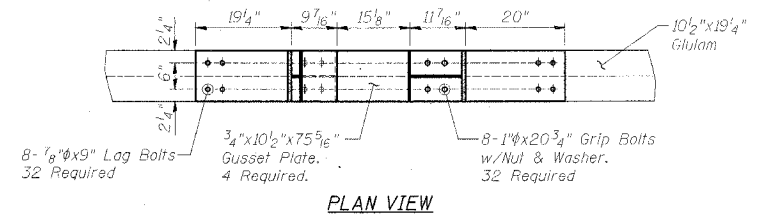
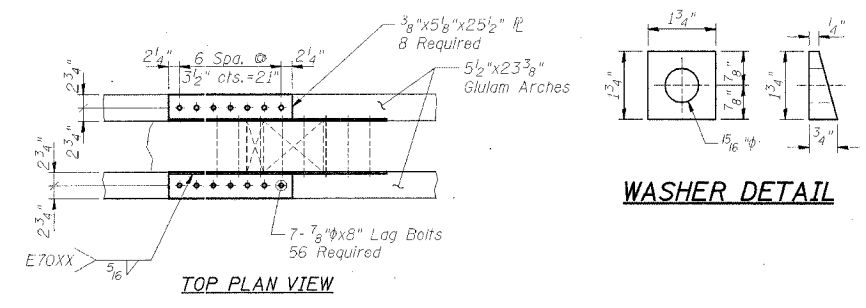


DATE	SECTION	COUNTY	SHEET	TOTAL
2/45	98-20101-00-BR	BUREAU	65	40
FED. ROAD DIST. NO. 7		ILLINOIS	FED. AID PROJECT - BR05-011(62)	
STRUCTURAL SHEET 7 OF 25				



TRUSS AND WIND BRACING DETAILS
SECTION 98-20101-00-BR
T.R. 245 OVER BIG BUREAU CREEK
STA. 13+70 (S.N. 006-4288)
BUREAU COUNTY
WHA # 1104004