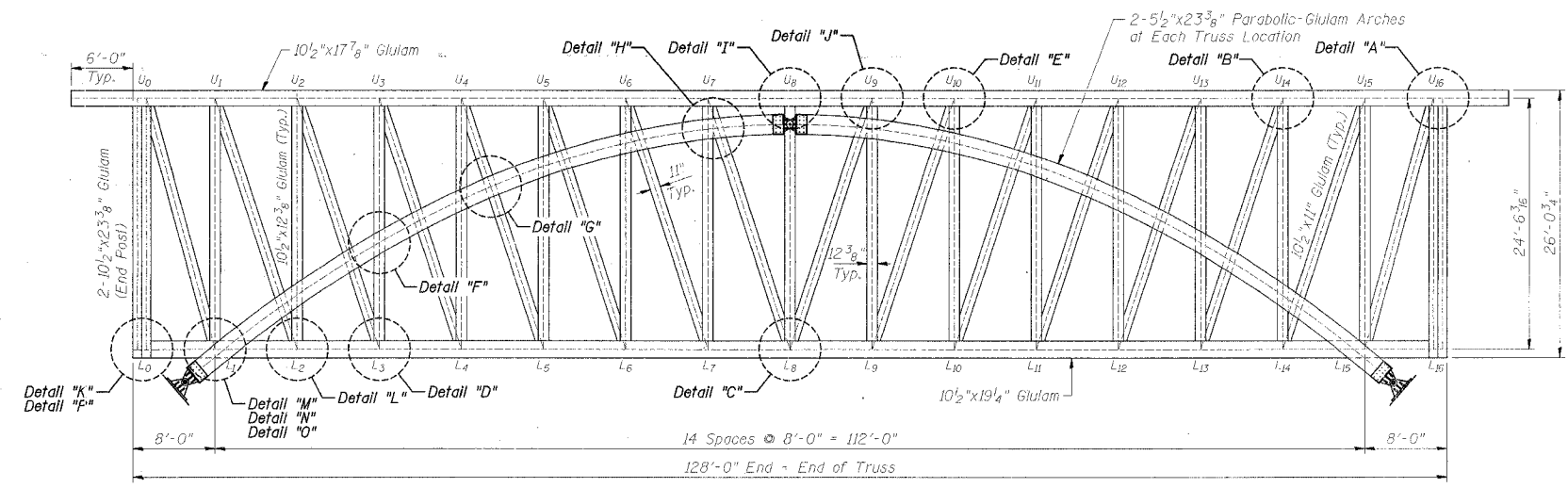
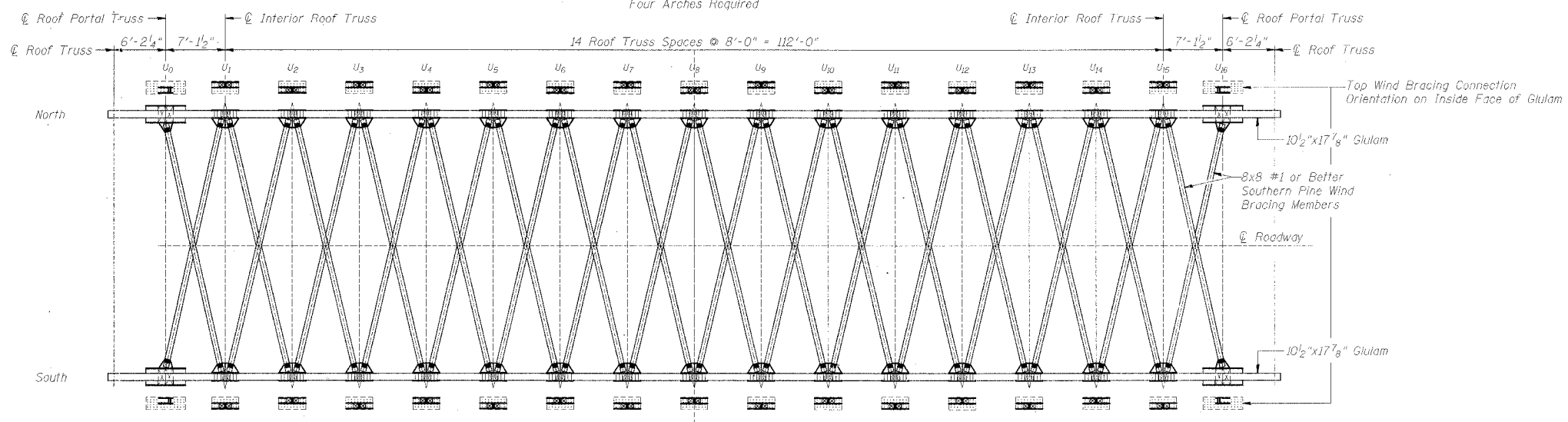


PROJECT	SECTION	COUNTY	SHEET	SHEET
245	98-20101-00-BR	BUREAU	65	37
FED. ROAD DIST. NO. 7		ILLINOIS	FED. ROAD PROJECT: BR05-011(62)	
STRUCTURAL SHEET 4 OF 25				

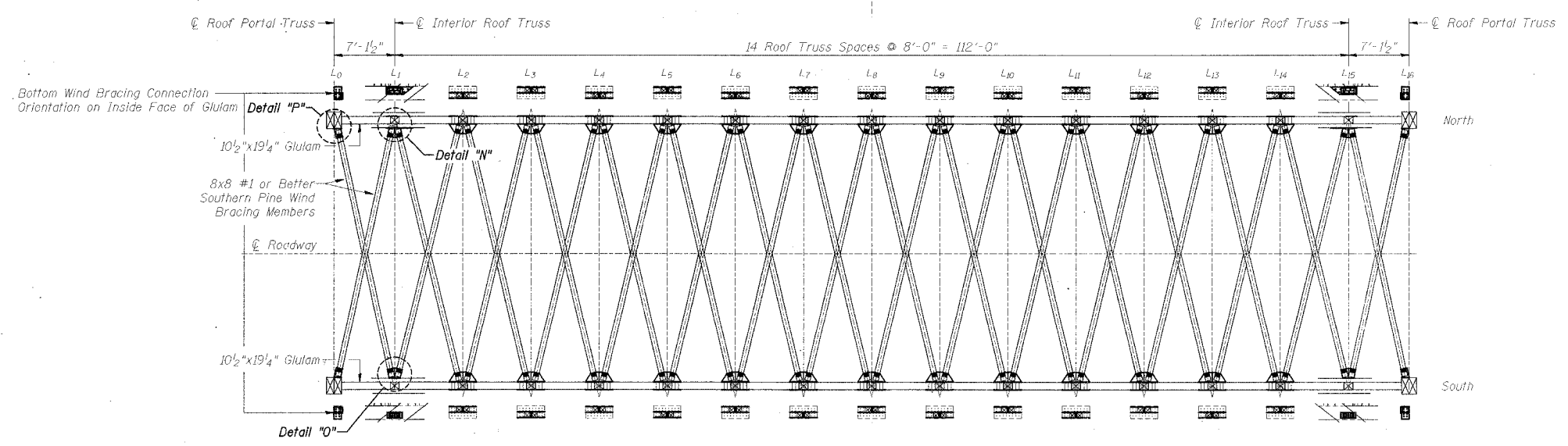


TRUSS & ARCH ELEVATION

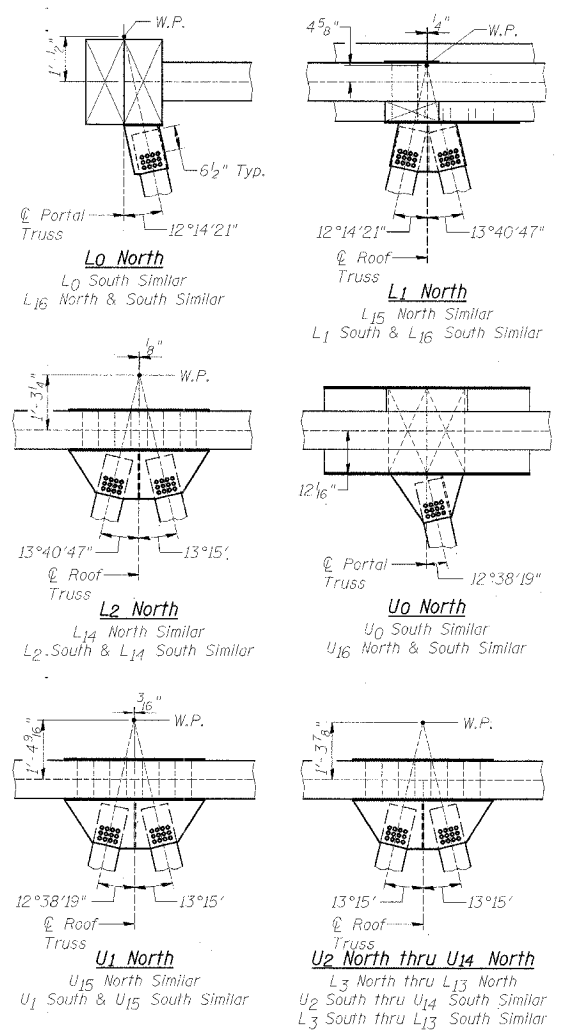
Two Trusses Required
Four Arches Required



UPPER WIND BRACING PLAN



LOWER WIND BRACING PLAN



WORKING POINT DETAILS

GENERAL NOTES

- Gusset Plates May Be Cut From A Single Plate Or Made Up Of Multiple Plates Welded Together To Form The Required Shape. Welding Shall Be In Accordance With The Requirements Of The Special Provisions.
- Fasteners Shall Be 7/8" A307 Bolts, (Open Holes 5/16") Unless Otherwise Noted.
- See Specifications For Required Finish For Steel Gusset Plates.
- All Reentrant Cuts Shall Be Filleted To A Radius of Not Less Than 3/4 Inch.
- Place all bolts with heads towards traffic lane.
- Splices to be located by fabricator. Subject to approval of the engineer. No Splice Shall be Allowed in Arch.
- All Split Rings Shall Meet SAE-1010 Specifications.

TRUSS AND WIND BRACING DETAILS
SECTION 98-20101-00-BR
T.R. 245 OVER BIG BUREAU CREEK
STA. 13+70 (S.N. 006-4288)
BUREAU COUNTY
WHA # 1104004