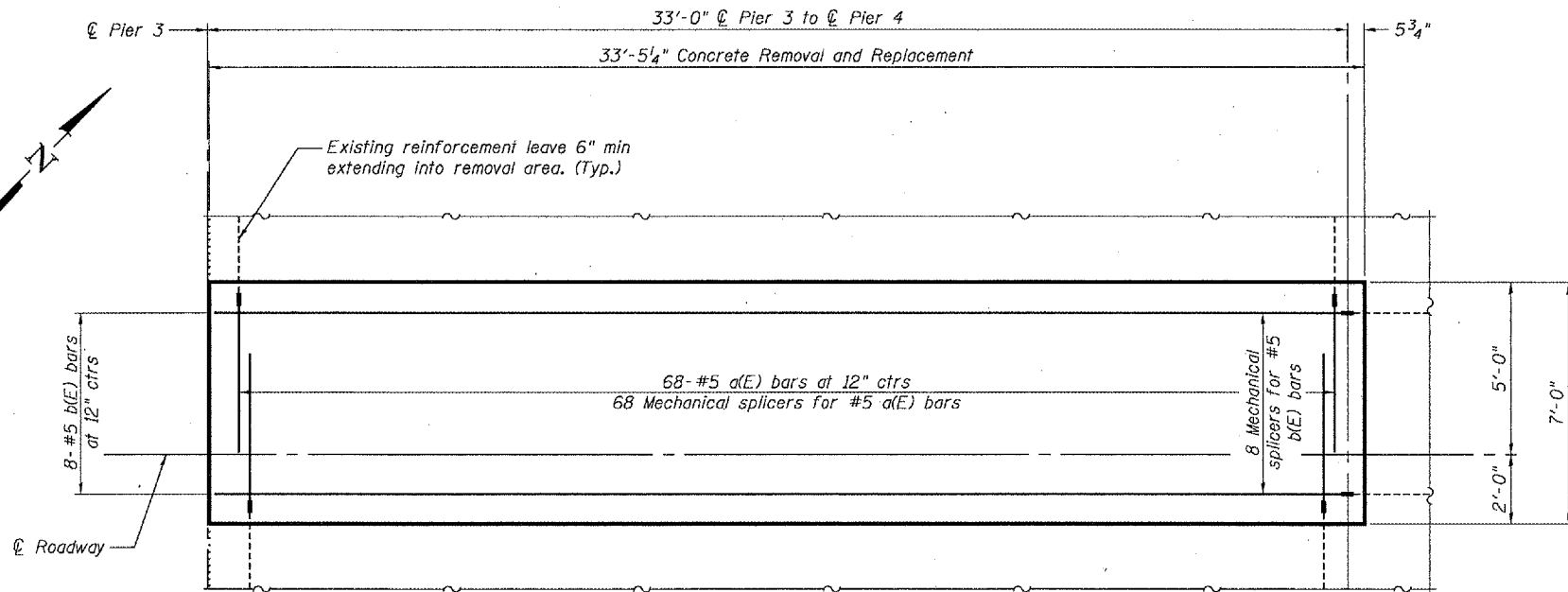


STATE OF ILLINOIS
DEPARTMENT OF TRANSPORTATION

ROUTE NO.	SECTION	COUNTY	TOTAL SHEETS	SHEET NO.
		Schuyler	9	9
FED. ROAD DIST. NO. 7		ILLINOIS	FED. AID PROJECT	

Contract Number: 72A21

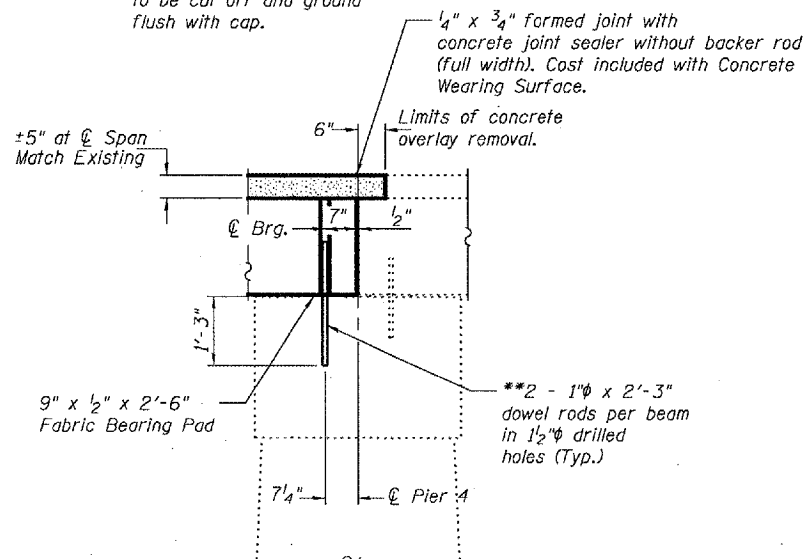
SHEET NO. 3
3 SHEETS



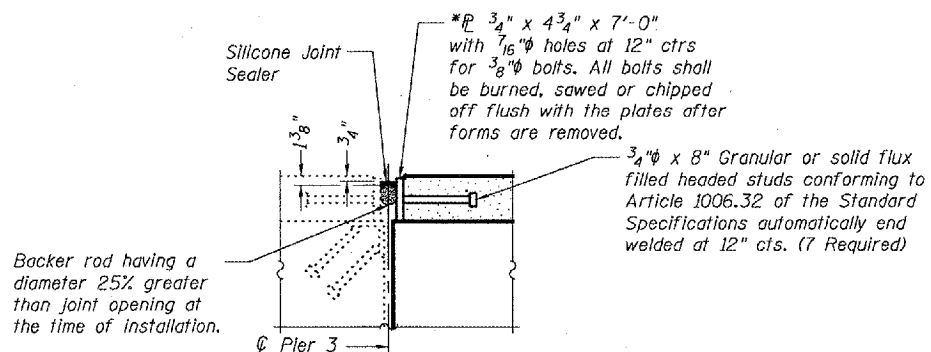
Min Bar lap
#5 = 2'-2"

PARTIAL OVERLAY PLAN

**Existing dowel rods are to be cut off and ground flush with cap.

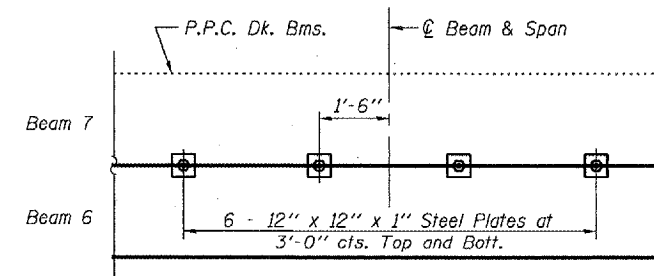


TYPICAL SECTION PIER 4

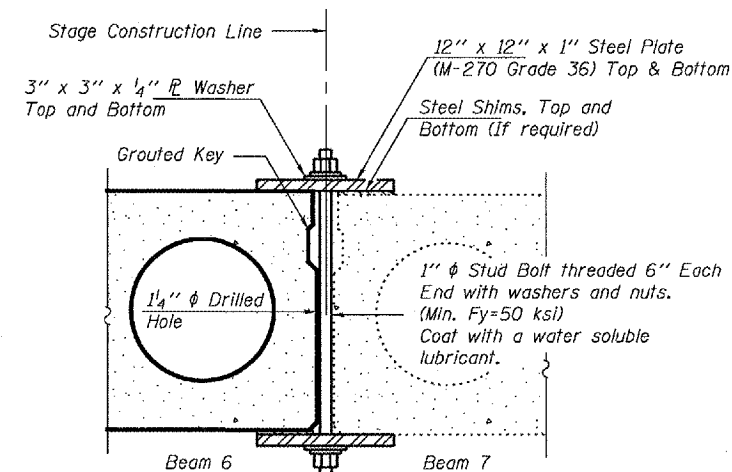


ENLARGED DETAIL B

Cost of P and studs is included with Concrete Wearing Surface.
* Seal space between existing and new P's with silicone sealant suitable for Structural Steel. Cost of silicone sealant is included with Concrete Wearing Surface.



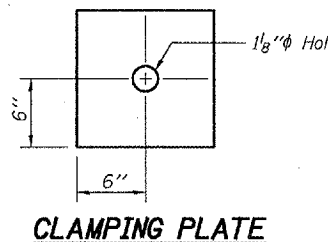
PLAN



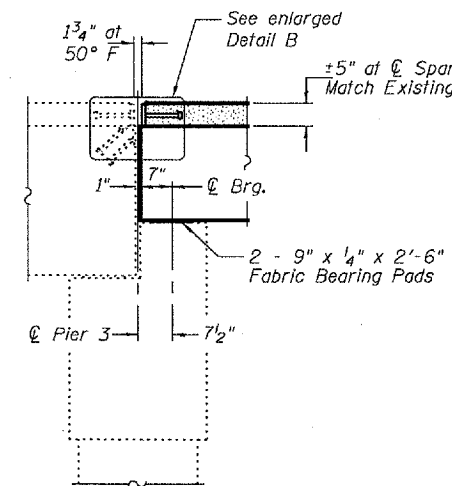
SECTION

SHEAR KEY CLAMPING DETAILS AT STAGE CONST. JT.

See Special Provisions for Stage Construction of Precast Prestressed Concrete Deck Beams.
Cost included with "Precast Prestressed Concrete Deck Beams".
For Stage Construction Details see roadway plans.



CLAMPING PLATE



TYPICAL SECTION AT PIER 3

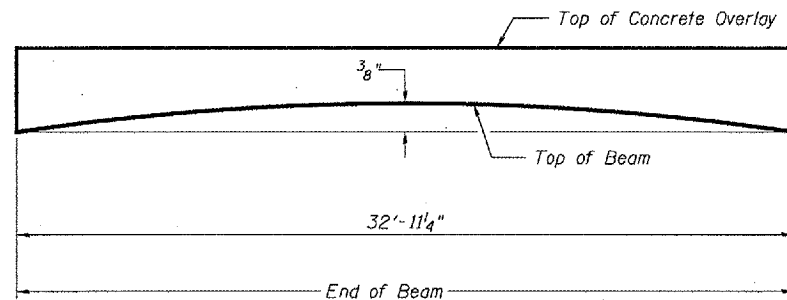
BILL OF MATERIAL

Bar	No.	Size	Length	Shape
a(E)	68	#5	4'-6"	—
b(E)	8	#5	32'-9"	—
Concrete Removal		Cu. Yd.	0.5	
Concrete Wearing Surface		Sq. Yd.	26	
Reinforcement Bars, Epoxy Coated		Lbs.	590	

Reinforcement bars designated (E) shall be epoxy coated.

PLAN AND ELEVATION

IL 101
SCHUYLER COUNTY
SN 085-0016



ANTICIPATED INITIAL CAMBER DIAGRAM

DESIGNED	V.H.V.
CHECKED	A.T.H.
DRAWN	Drew Christopher
CHECKED	V.H.V. A.T.H.

EXAMINED	January 13, 2006
	John A. Morris ENGINEER OF STRUCTURAL SERVICES
PASSED	Ralph E. Anderson ENGINEER OF BRIDGES AND STRUCTURES