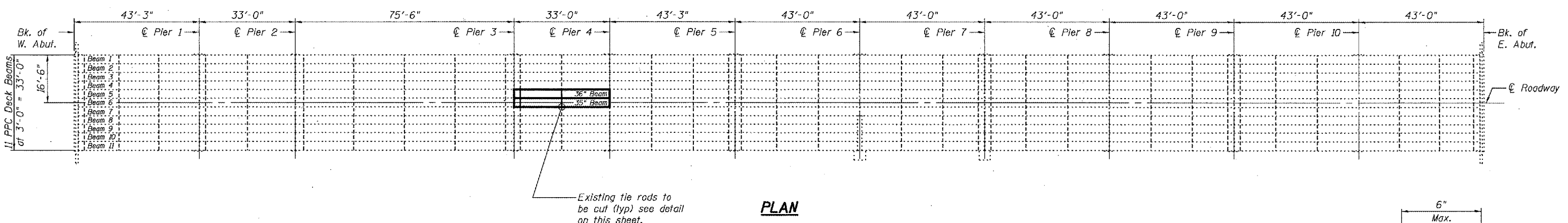
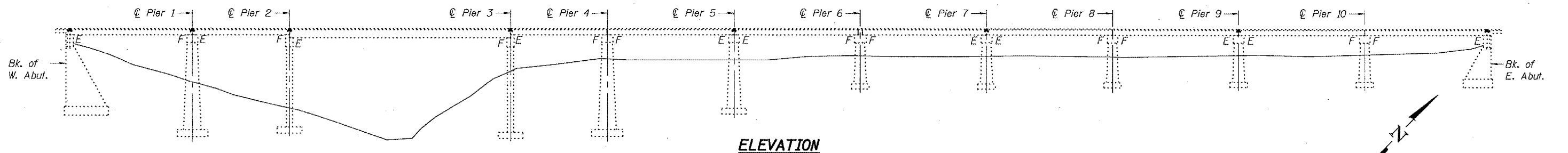


STATE OF ILLINOIS
DEPARTMENT OF TRANSPORTATION

ROUTE NO.	SECTION	COUNTY	TOTAL SHEETS	SHEET NO.
		Schuyler	9	7
FED. ROAD DIST. NO. 7	ALLIANCE	FED. AID PROJECT		

Contract Number: 72A21



DESIGN STRESSES
(New Construction)
FIELD UNITS
 $f'_c = 3,500$ psi
 $f_y = 60,000$ psi (Reinforcement)

PRECAST PRESTRESSED UNITS
 $f'_c = 5,000$ psi
 $f'_{ci} = 4,000$ psi
 $f'_s = 270,000$ ($\frac{1}{2}$ " low relaxation strands)
 $f'_{si} = 201,960$ ($\frac{1}{2}$ " low relaxation strands)

GENERAL NOTES

Plan dimensions and details relative to existing structure have been taken from existing plans and are subject to nominal construction variations. It shall be the Contractor's responsibility to verify such dimensions and details in the field and make necessary approved adjustments prior to construction or ordering of materials. Such variations shall not be cause for additional compensation for a change in the scope of the work, however, the Contractor will be paid for the quantity actually furnished at the unit price bid for the work.

Any damage done to the bridge during beam removal shall be repaired by the Contractor. Cost to be included in the cost of "Removal of Existing P.P.C. Deck Beams".

Reinforcement bars shall conform to the requirements of AASHTO M 31 or M 322 Grade 60.

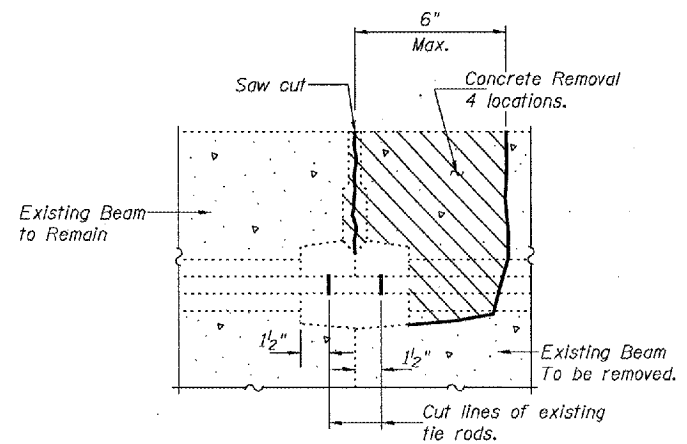
Temporary concrete barrier shall only be anchored into the overlay and not the PPC Deck Beams.

All structural steel shall be shop painted with the inorganic zinc rich primer per AASHTO M300, Type 1. Cost included with Furnishing and Erecting Structural Steel.

Existing reinforcement extending into the removal area shall be cleaned, straightened and incorporated into the new construction. Any reinforcement bars that are damaged during concrete removal shall be replaced with an approved bar splicer or anchorage system. Cost shall be included with Concrete Removal.

For stage construction details see Roadway Plans.

The deck surface shall have its final finish tined according to Article 420.11(e)(1) of the Standard Specifications. Cost included with Concrete Wearing Surface.



TOTAL BILL OF MATERIAL

ITEM	UNIT	QUANTITY
Concrete Removal	Cu. Yd.	0.5
Removal of Existing PPC Deck Beams	Sq. Ft.	198
Concrete Wearing Surface	Sq. Yd.	26
PPC Deck Beams (21" Depth)	Sq. Ft.	195
Protective Coat	Sq. Yd.	26.0
Mechanical Splicers	Each	76
* Asbestos Bearing Pad Removal	Each	2
Reinforcement Bars, Epoxy Coated	Pound	590

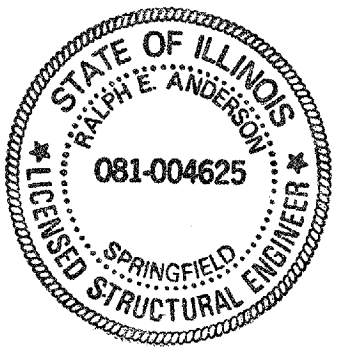
*At Pier 3

PLAN AND ELEVATION
IL 101
SCHUYLER COUNTY
SN 085-0016

DESIGNED: Victor H. Veliz
CHECKED: Adrian T. Holloway
DRAWN: [Signature]
CHECKED: VHV/A.T.H.

January 18, 2006

EXAMINED: John A. Morris
PASSED: Ralph E. Anderson



Expires: November 30, 2006