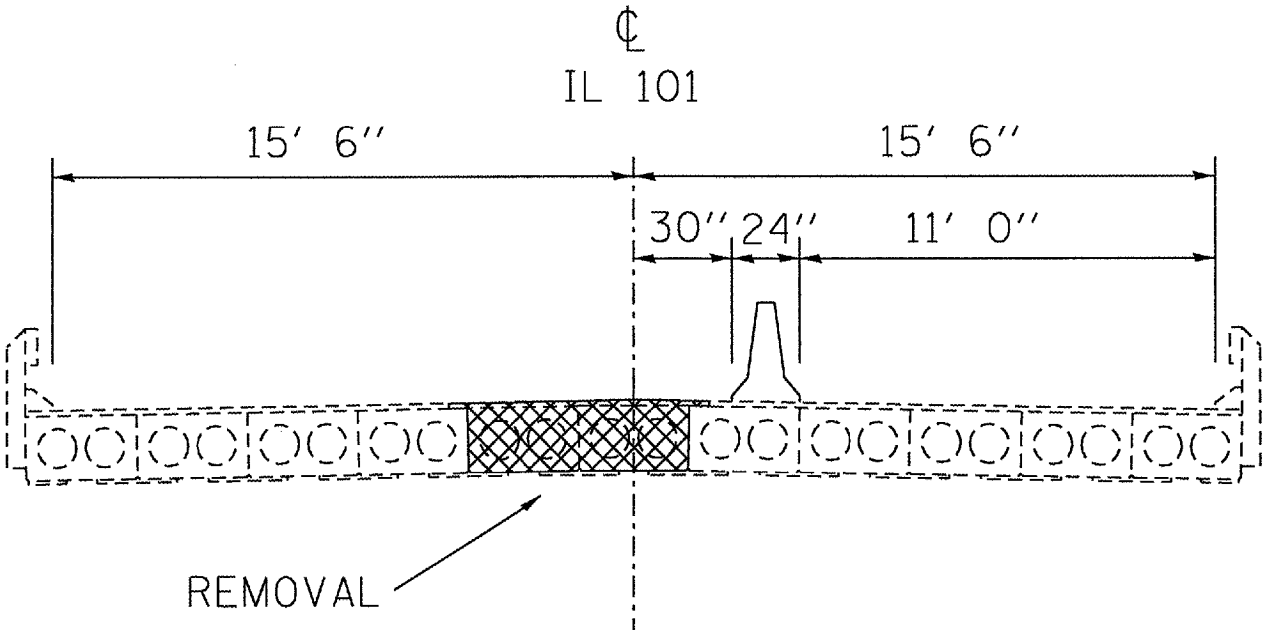


CROSS SECTION - LOOKING NORTHEAST

STAGE 1 CONST.

STAGE 1 TRAFFIC



REMOVAL

SEE STD 701321 FOR PLAN  
VIEW OF TRAFFIC CONTROL

(NOT TO SCALE)

TRAFFIC STAGING DETAIL  
FAP 713 (IL 101)  
SECTION (120BR)I-1  
SCHUYLER COUNTY