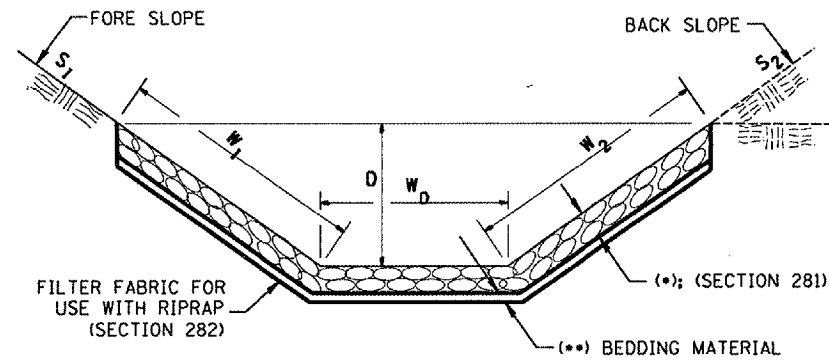


F.A.U. RTE.	SECTION	COUNTY	TOTAL SHEETS	SHEET NO.
6659		PEORIA	40	12
STA. PEORIA		TO STA. PEORIA		
FED. ROAD DIST. NO.	ILLINOIS	FED. AID PROJECT		
*04 BOX CULVERT EXT 2006				

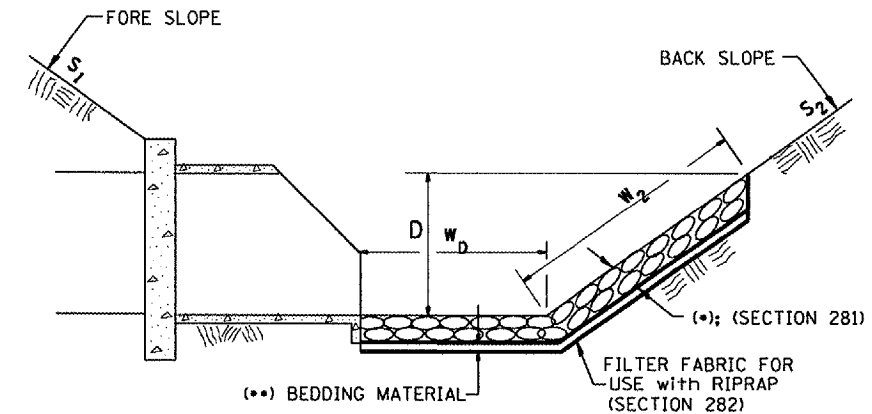
**CASE 1
(DITCH)**



(*)				
LOCATION	WIDTH (1)	LENGTH	RIPRAP	FABRIC
STA TO STA	m (lin ft)	m (lin ft)	m tons (tons)	m ² (sq yds)
TOTAL				

(1) WIDTH = $W_1 + W_2 + W_D$

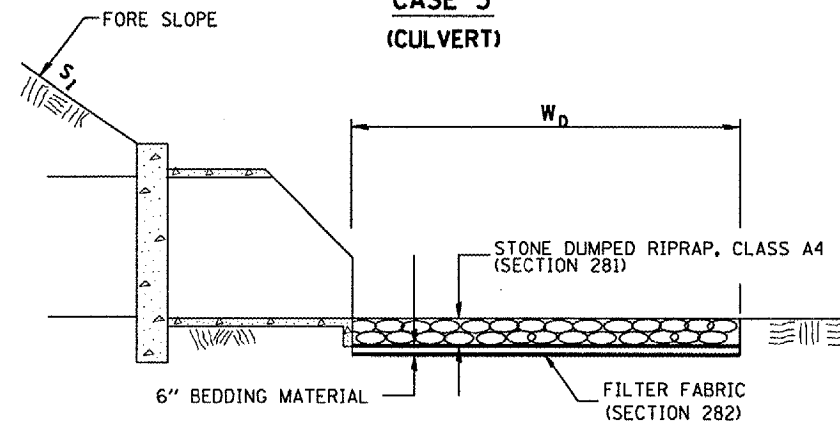
**CASE 2
(CULVERT & SLOPE)**



(*)				
LOCATION	WIDTH (1)	LENGTH	RIPRAP	FABRIC
STA TO STA	m (lin ft)	m (lin ft)	m tons (tons)	m ² (sq yds)
TOTAL				

(1) WIDTH = $W_2 + W_D$

**CASE 3
(CULVERT)**



(*)				
LOCATION	WIDTH (1)	LENGTH	RIPRAP	FABRIC
STA TO STA	m (lin ft)	m (lin ft)	m tons (tons)	m ² (sq yds)
381+39.28 - 381+54.28	15'	8'	8.9	13.3
381+02 - 381+17	15'	8'	8.9	13.3
TOTAL			17.8	26.6

(1) WIDTH = W_D

All slope ratios are expressed as units of vertical displacement to units of horizontal displacement (V:H).
All dimensions are in millimeters (inches) unless otherwise noted.

ILLINOIS DEPARTMENT OF TRANSPORTATION
SPECIAL DETAIL SHEET

RIPRAP DITCH FOR EROSION PROTECTION

CADD DETAIL 281001-D4
SCALE: NOT DRAWN TO SCALE
DRAWN BY CADD
CHECKED BY

DATE	REVISIONS	BY
1-1-97	RENUM. A-12.02, NEW REVISION BOX	T.P.
12-1-97	CORRECT FILTER FABRIC LEADER ARROW	J.A.

\$\$\$DATE\$\$\$