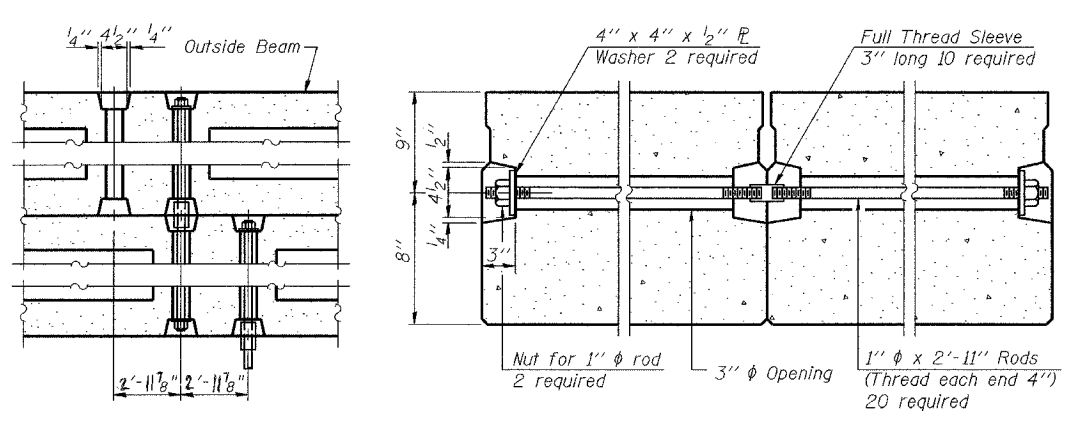
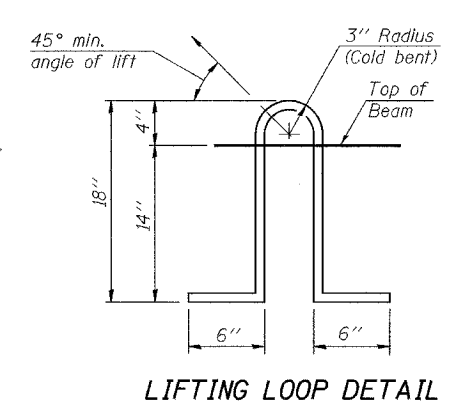
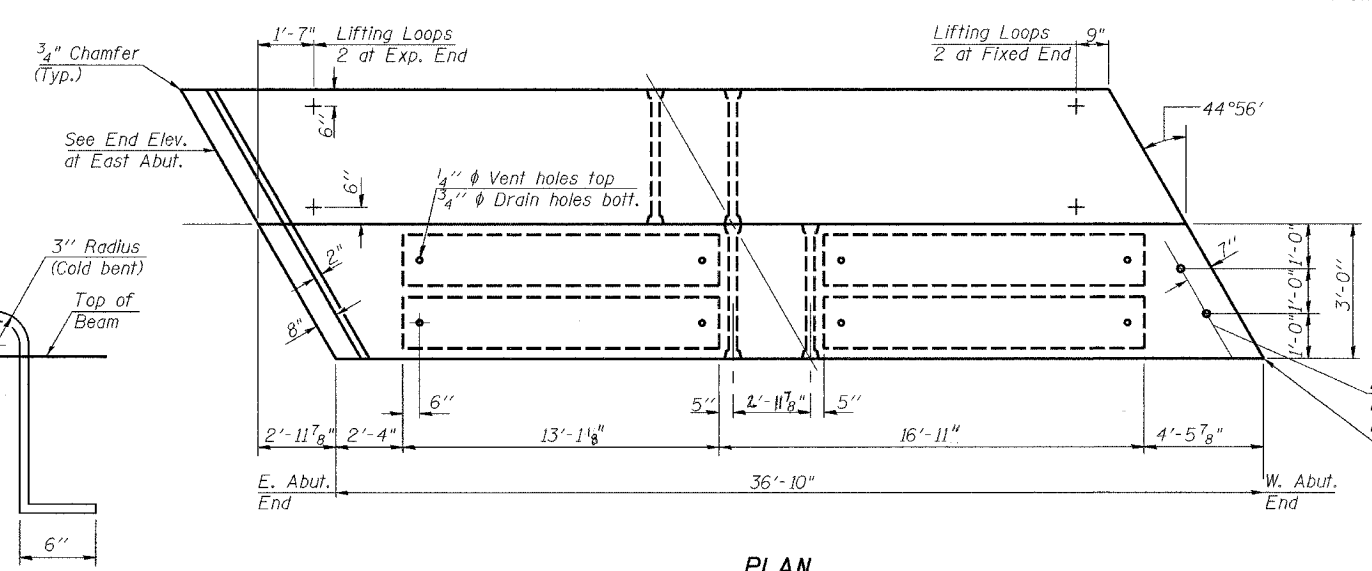


NOTE:
Place strands symmetrically about \bar{C} of beam.

1/2" φ Strands, Each Strand Stressed to 30,900 Lbs.
4-Strands 1 3/4" up, 6-Strands 3/4" up



NOTES

Prestressing steel shall be uncoated high strength, low relaxation 7-wire strand, Grade 270. The nominal diameter shall be 1/2" and the nominal cross-sectional area shall be 0.153 sq. in. Lifting loops shall be 2-1/2" φ-270 ksi strands, as shown.

The 1" φ rods in the transverse tie assembly shall be tightened to a snug fit and the threads set. Pockets that receive transverse tie bar on outside shall be filled with grout after transverse tie assembly is in place.

Non prestressing steel shall conform to AASHTO M-31 or M-322 Grade 60.

The bearing seat surfaces shall be adjusted by shimming to assure firm and even bearing. Two 1/8" fabric adjusting shims of the dimensions of the Exterior Bearing Pad shall be provided for each bearing.

Keyway surfaces shall be cleaned to remove form oil or other bond breaking material prior to shipment of the beams. Cleaning shall be done by sandblasting the keyway areas between top of the beam and the bottom edge of the key.

Corrosion Inhibitor, as covered in the Special Provisions, shall be used in the concrete for precast prestressed concrete deck beams.

Required Release Strength, f'ci, shall be 4000 p.s.i.

Bridge rail inserts shall be cast in precast beams. See sheet 2 of 9 for rail post spacing. See sheet 6 of 9 for rail details.

BILL OF MATERIAL

Bar	No.	Size	Length	Shape
Precast Prestressed Conc. Deck Bms.		17"	Sq. Ft.	1216

ILLINOIS DEPARTMENT OF TRANSPORTATION

SUPERSTRUCTURE DETAILS

PROJECT: IL ROUTE 9 OVER MONEY CREEK
FAP ROUTE 693 SECTION 22 BR
MCLEAN COUNTY
STATION 1917+17.38
STRUCTURE NUMBER 057-0076

DESIGNED BY: TFG
CHECKED BY: LME/MCB
DATE: 12/15/05

PROJECT NO. 05004-1

COOMBE-BLOXDORF P.C.
Engineers / Land Surveyors
Springfield, Illinois
Design Firm License No. 184-002703

5 OF 9 SHTS

FILE NAME = ...R\BCT\0605-supr-0504.dgn
PLOT SCALE = 0.10000 1" = 1'-0"
USER NAME = DFC