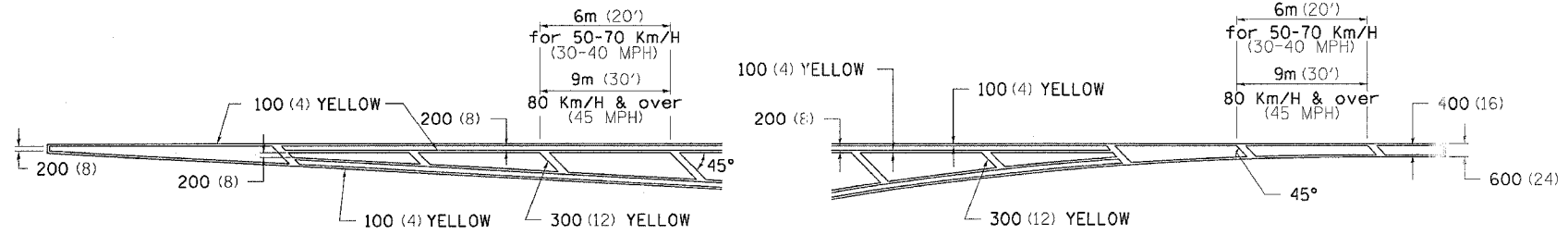


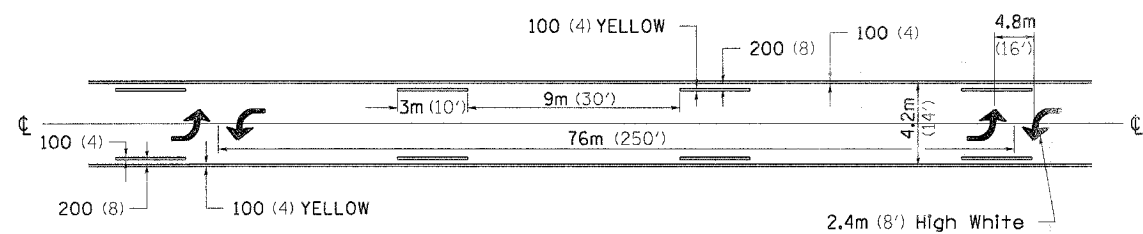
F.A.P. RTE.	SECTION	COUNTY	TOTAL SHEETS	SHEET NO.
308		WHITESIDE	47	44
STA.		TO STA.		
FED. ROAD DIST. NO.		ILLINOIS FED. AID PROJECT		
• 109BR-3 & 109BR-4				

# TYPICAL PAVEMENT MARKINGS

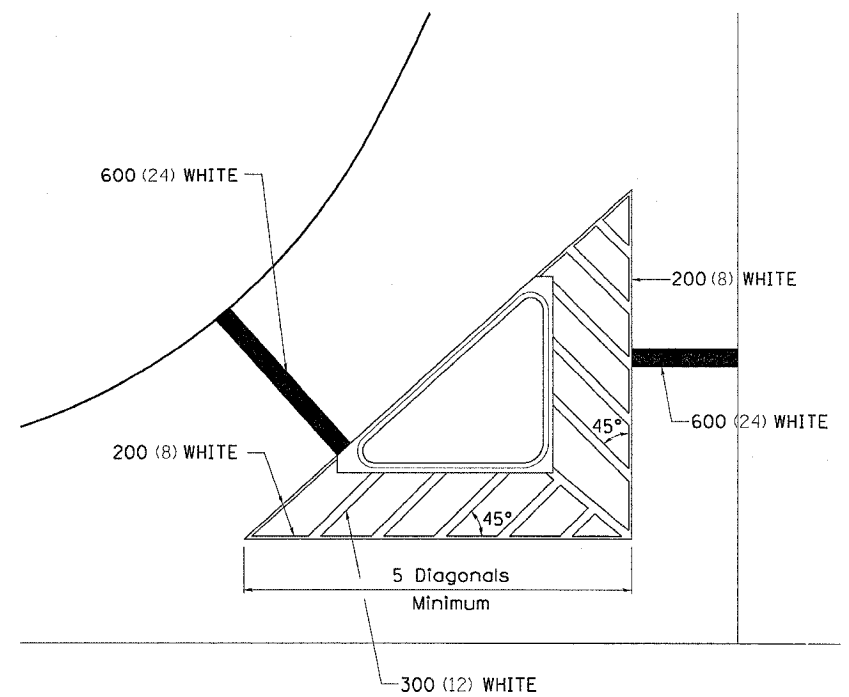
TYPICAL PAVEMENT MARKING FOR FLUSH MEDIAN



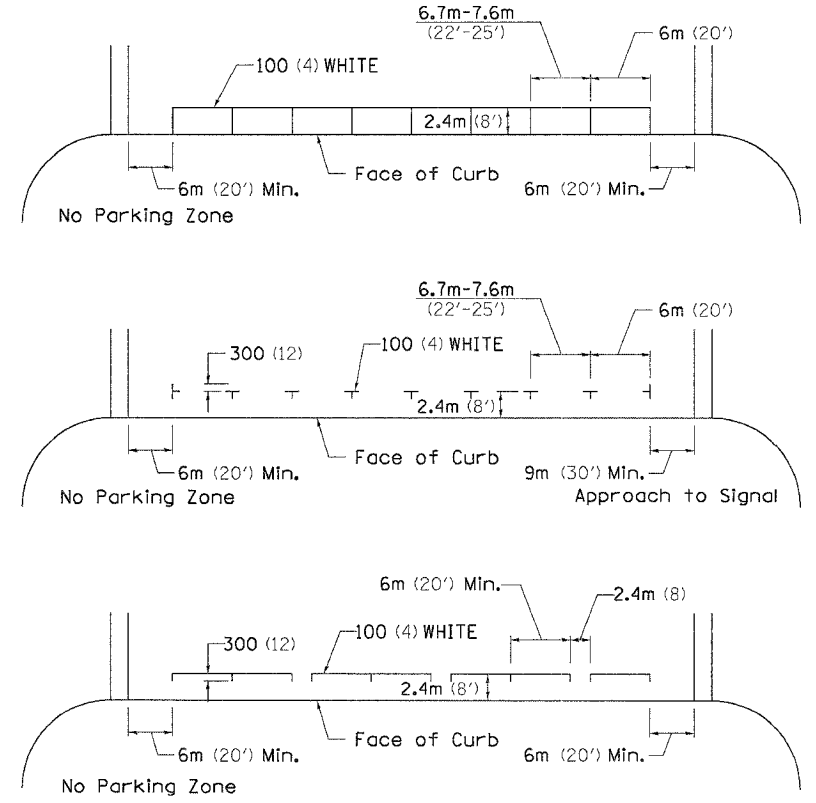
MEDIAN PAVEMENT MARKING



TYPICAL ISLAND OFFSET SHOULDER WIDTH

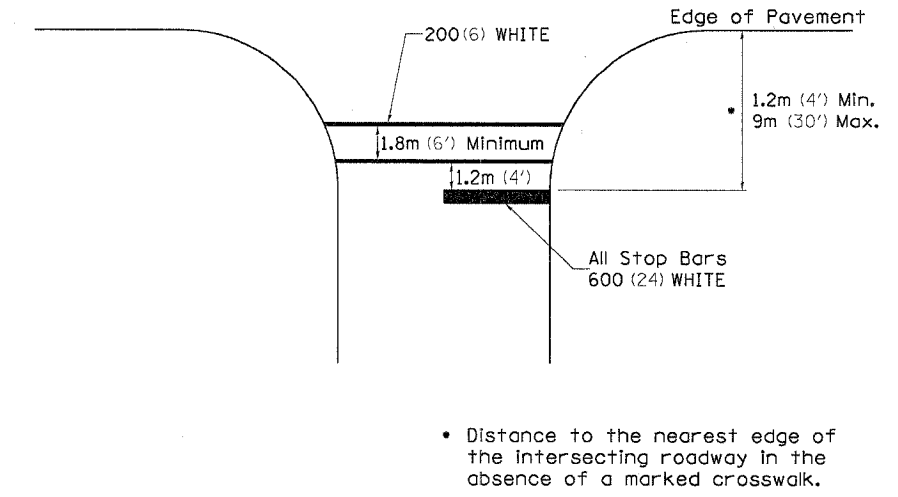


TYPICAL PARKING SPACING



• ALL DIMENSIONS ARE IN MILLIMETERS (INCHES) UNLESS OTHERWISE NOTED.

STANDARD CROSSWALK MARKING  
See Schedules for Locations



PLOT DATE: The Dec 29 10:36:55 2005  
 PLOT NAME: \\snp\projects\64829\64829.dgn  
 PLOT SCALE: 50.0000 / IN.  
 REFERENCE: #REF#