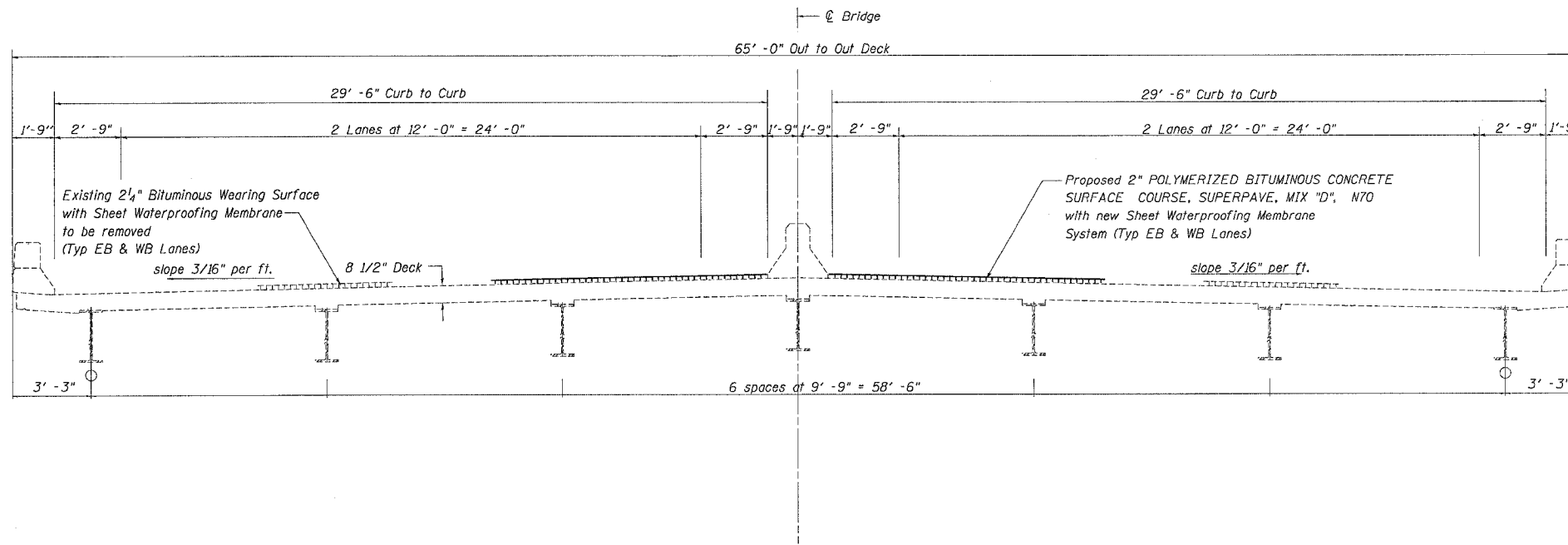
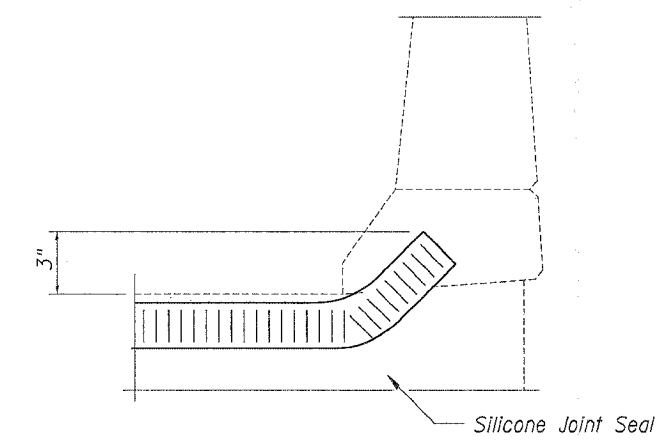


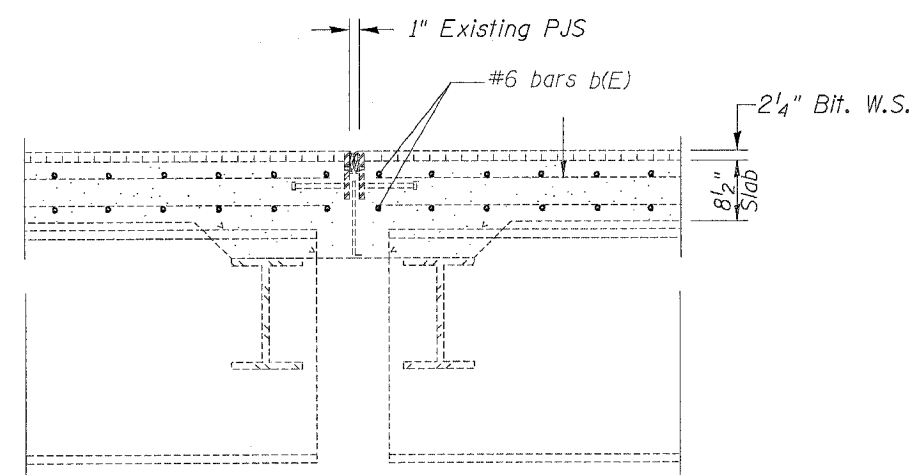
F.A.I. RTE.	SECTION	COUNTY	TOTAL SHEETS	SHEET NO.
180	06-3,78-1BM-1		15	9
STA. _____		TO STA. _____		
FED. ROAD DIST. NO. _____		ILLINOIS FED. AID PROJECT		
•• Putnam Counties				



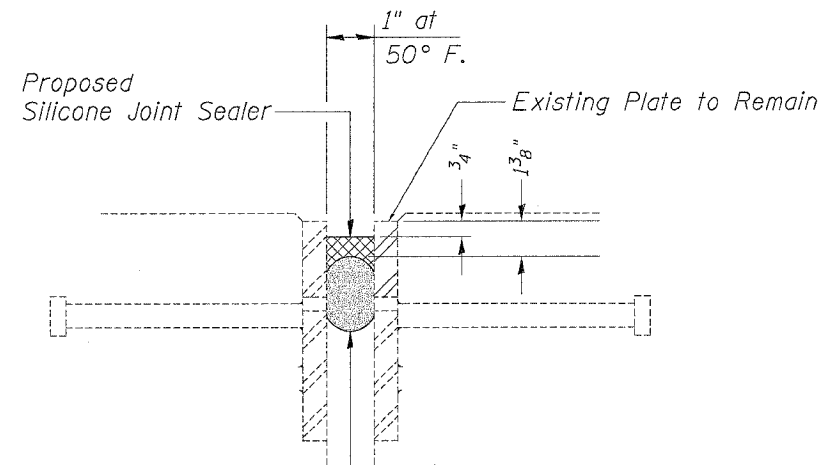
CROSS SECTION



TYPICAL END OF SEAL TREATMENT AT EXPANSION JOINT



EXISTING SECTION A-A AT PIERS 1,2,4 & 5



PROPOSED SECTION A-A AT PIERS 1,2,4 & 5 SILICONE JOINT SEALER DETAIL

Backer rod having a diameter 25% greater than joint opening at the time of installation.

Bill of Material (Joints at Piers 1,2,4 & 5)

Item	Unit	Quantity
Silicone Joint Sealer, 1"	Lin. Ft.	65

Quantity is per Joint

Deck Cross Section & Joints at Piers 1, 2, 4 & 5
FAI 180 (I-180)
Section (06-3,78-1)BM-1
Bureau & Putnam Counties
Structure No. 078-0001

PLOT DATE = Nov Dec 18 15:15:55 2006
 FILE NAME = P:\S\180\180\06-378-1BM-1\0780001.dgn
 PLOT SCALE = 50.0000 / 1 IN.
 REFERENCE = #REF#