

SUMMARY OF QUANTITIES

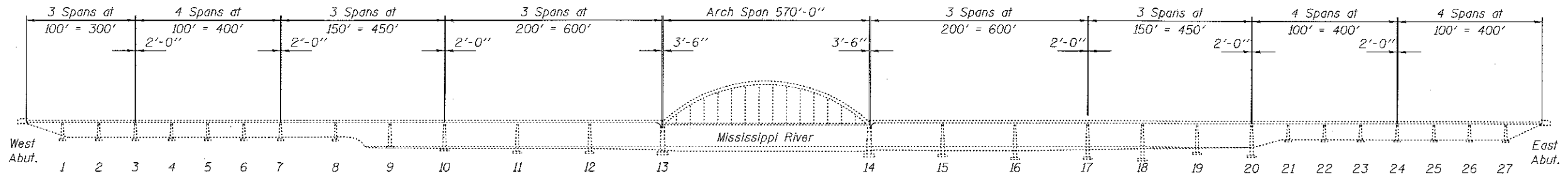
50% Iowa/50% Illinois
0047

Pay Item #	Description	Unit	Quantity
			<i>URBAN</i>
70600250	IMPACT ATTENUATORS, TEMPORARY (NON- REDIRECTIVE), TEST LEVEL 3	EACH	2
70600350	IMPACT ATTENUATORS, RELOCATE (NON- REDIRECTIVE), TEST LEVEL 3	EACH	2
X0326719	FALCON PROTECTION ^Δ	EACH	2 ^Δ

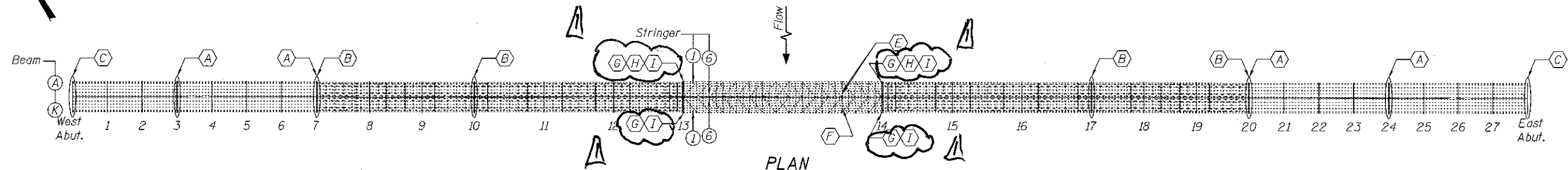
2

Δ REV 2-20-18

REV

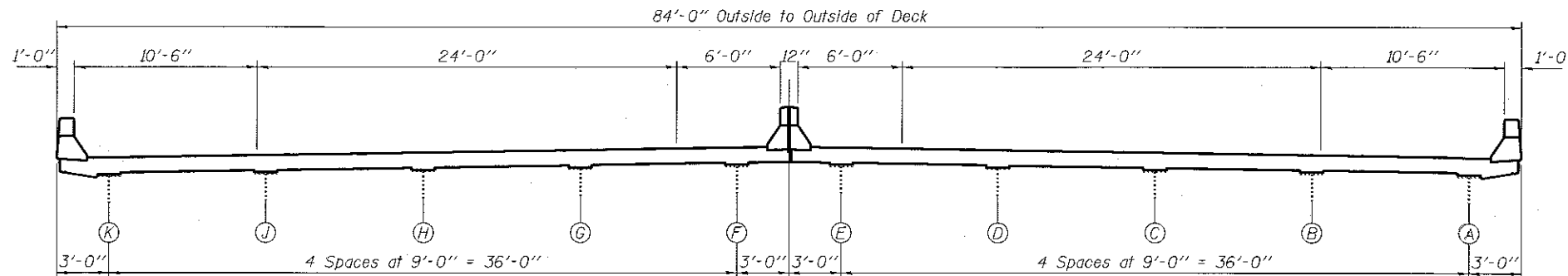


ELEVATION



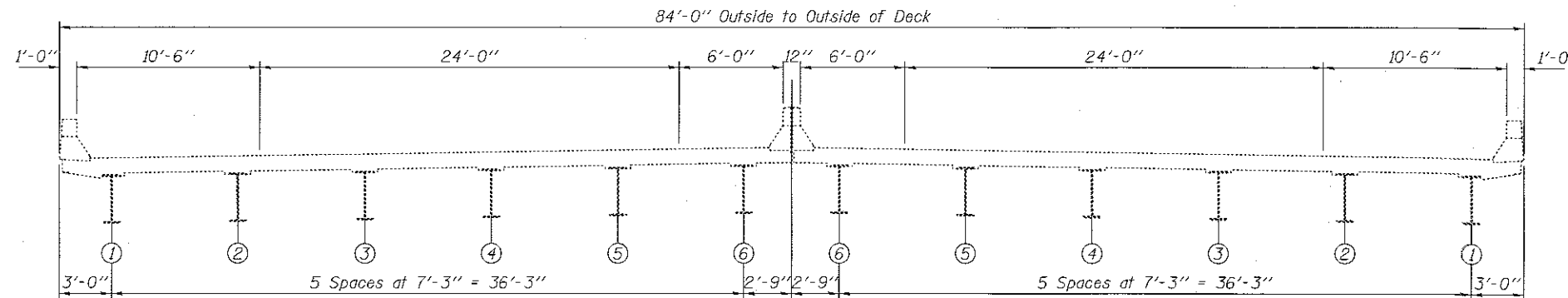
PLAN

- (A)(B) - Beam end repairs. See Table A on sheet 2 of 8.
- (C) - Replace joints with Preformed Joint Strip Seal.
- (D) - Paint only. See Repair D, this sheet.
- (E)(F) - Stiffener repairs. See Repairs E & F on sheet 6 of 8.
- (G)(H)(I) - Tie Arch repairs. See Repairs G, H & I on sheet 5 of 8.



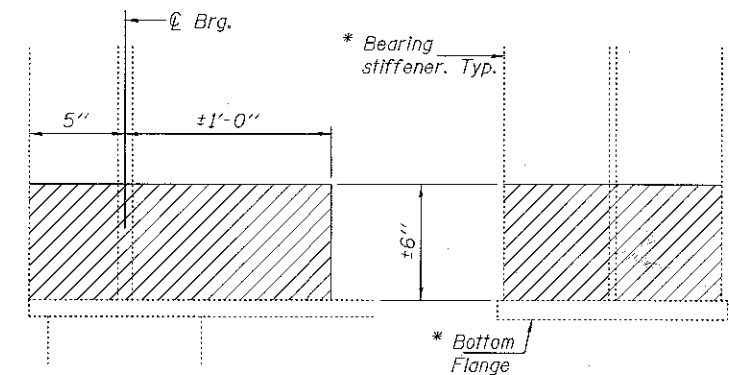
SECTION THRU APPROACH SPANS

(Looking West)
See sheets 3 & 4 of 8 for staging



SECTION THRU ARCH SPAN

(Looking West)



ELEVATION

END VIEW

REPAIR D

Hatched areas indicate cleaning and painting.
Cost included with Structural Steel Repairs.

TABLE A

PIER	SPAN	GIRDER	BRG. STIFFENER	BOTTOM FLANGE
7	7	G	5/8" x 5 1/2"	1" x 12"
7	8	E & J	3/4" x 7 1/2"	7/8" x 16"
10	10	B & E	3/4" x 7 1/2"	7/8" x 16"
10	11	D & E	7/8" x 7 1/2"	1" x 16"
17	17	G, J & K	7/8" x 7 1/2"	1" x 16"

TOTAL BILL OF MATERIAL

ITEM	UNIT	QUANTITY
Concrete Removal	Cu. Yd.	27.6
Concrete Superstructure	Cu. Yd.	28.8
Reinforcement Bars, Epoxy Coated	Pound	3560
Structural Steel Repair	Pound	8970
Preformed Joint Strip Seal	Foot	165
Bar Splicers	Each	8

DESIGN STRESSES

FIELD UNITS

f'c = 4,000 psi (Concrete)
fy = 36,000 psi (Structural Steel)
fy = 60,000 psi (Reinforcement)



EXPIRES 11-30-2018

DESIGNED: <i>Wally S...</i>	EXAMINED: <i>Tim A. ...</i>	DATE: JANUARY 16, 2018
CHECKED: <i>Ryan negandard</i>	PASSED: <i>David Carl Fuzey</i>	REVISED:
DRAWN: <i>baliva</i>		REVISED:
CHECKED: <i>MLD RAN</i>		

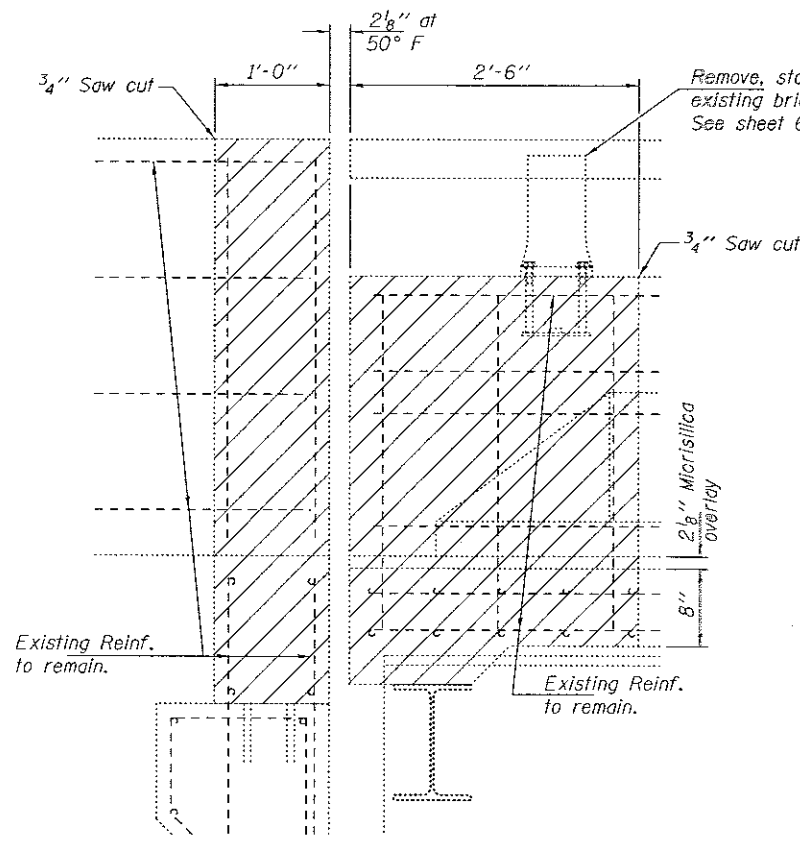
STATE OF ILLINOIS
DEPARTMENT OF TRANSPORTATION

GENERAL PLAN & ELEVATION
I-280 OVER THE MISSISSIPPI RIVER
SN 081-0106

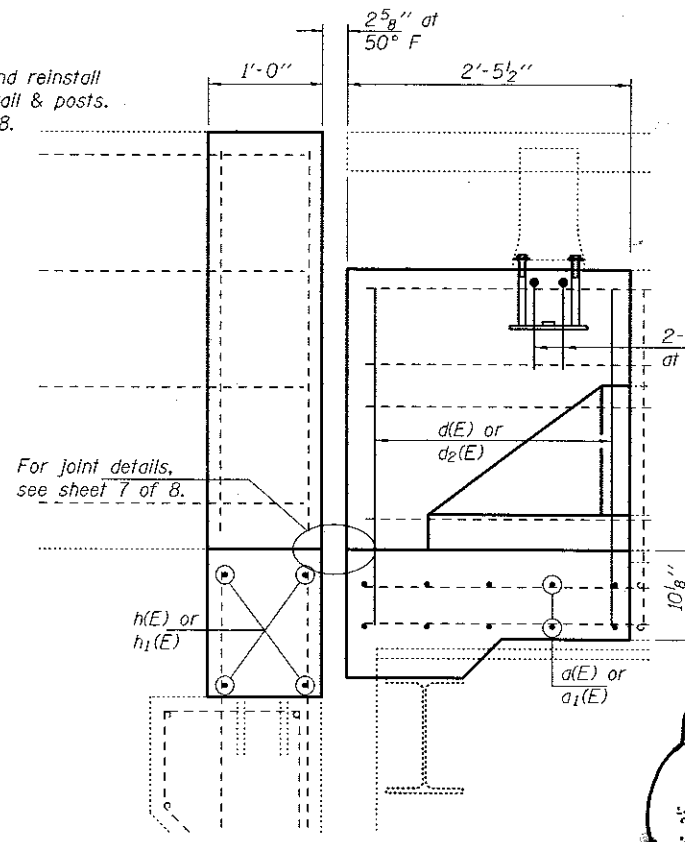
SHEET NO. 1 OF 8 SHEETS

F.A.I. RTE. 280	SECTION (B1-B)BR	COUNTY ROCK ISLAND	TOTAL SHEETS 24	SHEET NO. 17
CONTRACT NO. 64L93				ILLINOIS FED. AID PROJECT

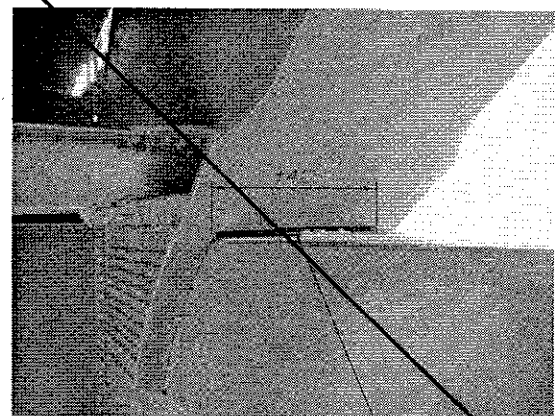
REV 2-20-18



SECTION A-A
Hatched areas indicate removal.

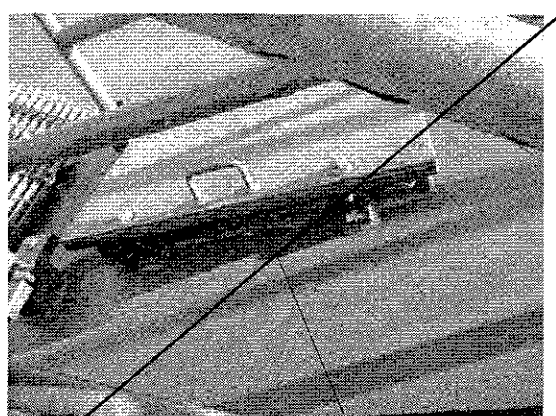


SECTION B-B



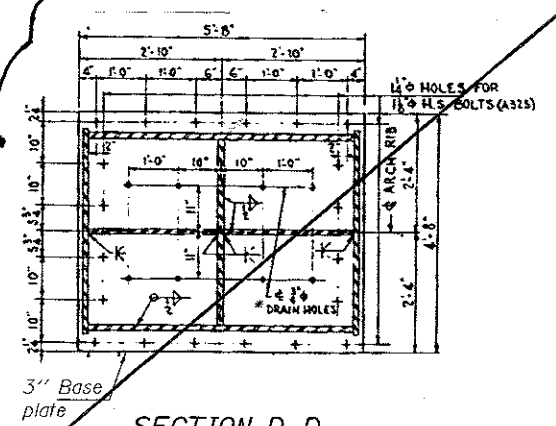
REPAIR G

Caulk & seal gap. See Article 109.04 of the Standard Specifications.



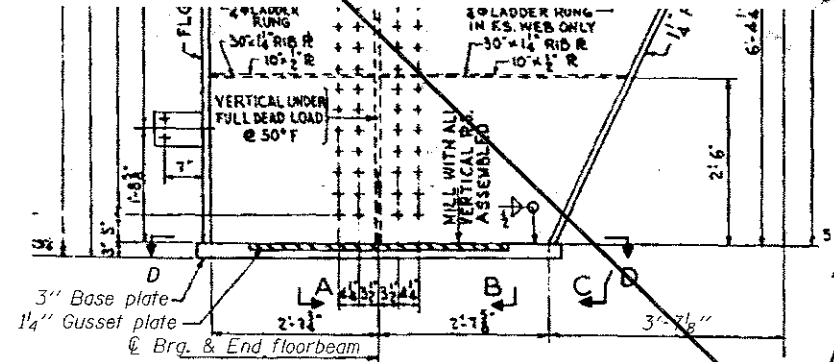
REPAIR H

Clean & paint access door. See Article 109.04 of the Standard Specifications.

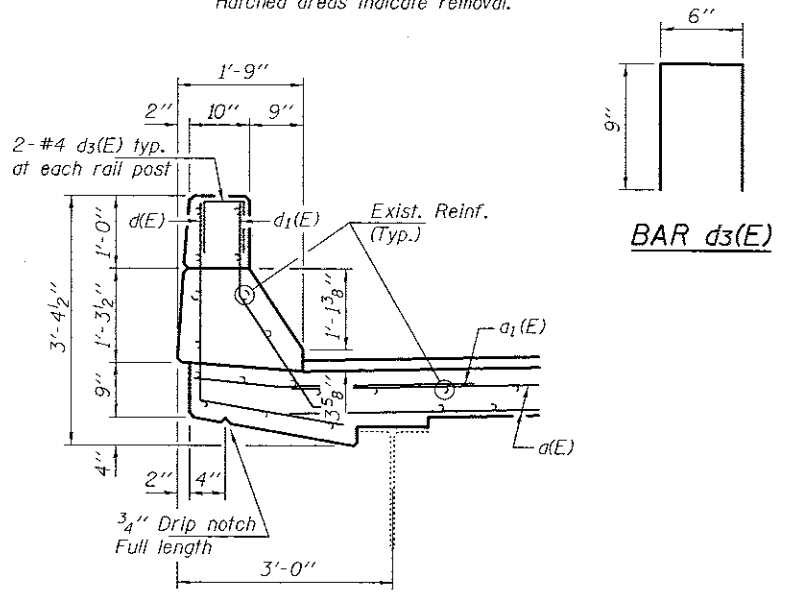


SECTION D-D

* Unclog. See Article 109.04 of the Standard Specifications.

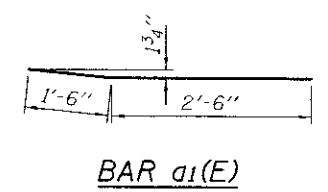


PARTIAL ELEVATION

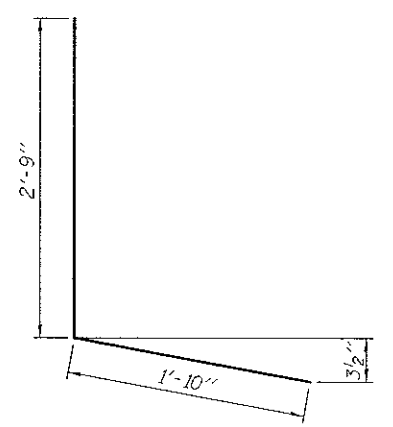


TYPICAL OUTSIDE PARAPET SECTION

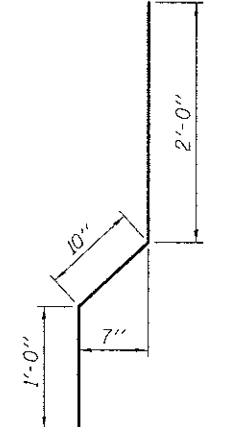
BAR d3(E)



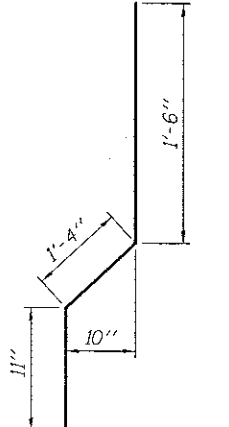
BAR a1(E)



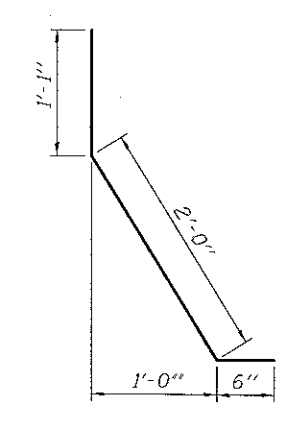
BAR d(E)



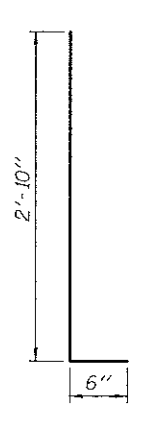
BAR d4(E)



BAR d6(E)



BAR d1(E)



BAR d2(E)

BILL OF MATERIAL

Bar	No.	Size	Length	Shape
d(E)	80	#5	22'-3"	
a1(E)	24	#6	4'-0"	
d1(E)	12	#4	4'-7"	
d1(E)	24	#5	3'-7"	
d2(E)	12	#5	3'-4"	
d3(E)	8	#4	2'-0"	
d4(E)	6	#5	3'-10"	
d5(E)	6	#5	3'-8"	
d6(E)	22	#5	3'-9"	
d7(E)	22	#5	3'-6"	
e(E)	10	#4	9'-2"	
h(E)	16	#6	22'-3"	
h1(E)	16	#6	23'-6"	
Concrete Removal			Cu. Yd.	27.6
Concrete Superstructure			Cu. Yd.	28.8
Reinforcement Bars, Epoxy Coated			Lbs.	3560

DESIGNED RPN
 CHECKED MLD
 DRAWN baliva
 CHECKED RPN MLD

EXAMINED *Timothy A. Annett*
 ENGINEER OF STRUCTURAL SERVICES

DATE JANUARY 16, 2018

REVISOR
 REVISOR

ENGINEER OF BRIDGES AND STRUCTURES

STATE OF ILLINOIS
 DEPARTMENT OF TRANSPORTATION

TROUGH REPLACEMENT DETAILS
 SN 081-0106

SHEET NO. 5 OF 8 SHEETS

F.A.I. RTE. 280
 SECTION 081-186RR
 COUNTY ROCK ISLAND
 TOTAL SHEETS 24
 SHEET NO. 21
 CONTRACT NO. 64L93

ILLINOIS FED. AID PROJECT
 REV 2-20-18