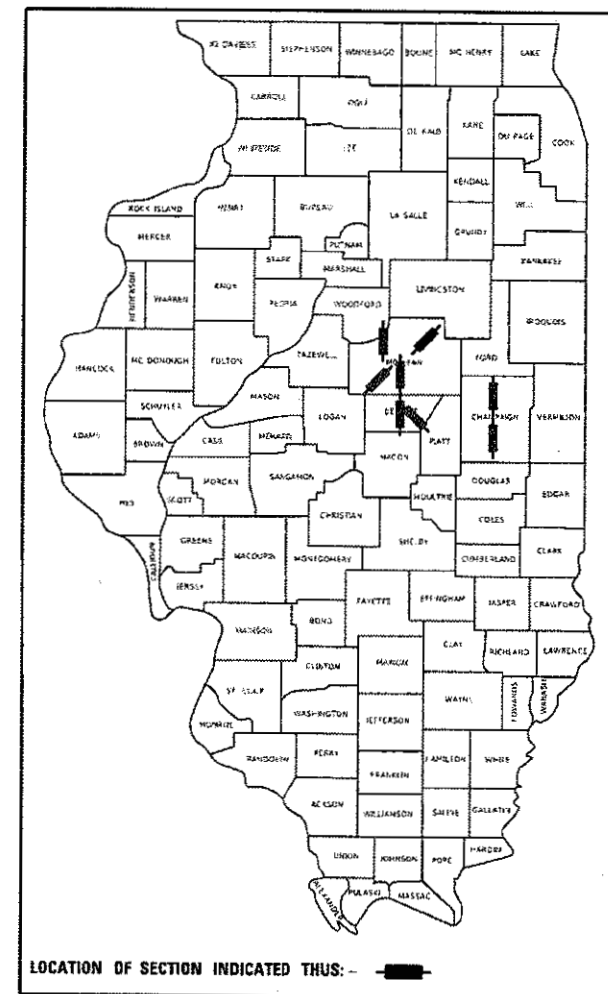


STATE OF ILLINOIS
DEPARTMENT OF TRANSPORTATION

F.A. RTE	SECTION	COUNTY	TOTAL SHEETS	SHEET NO.
VAR	FY18 BRIDGE DECK SEALING	VARIOUS	18	1
		ILLINOIS	CONTRACT NO. 70C72	

D-95-024-18



PROPOSED HIGHWAY PLANS

VARIOUS ROUTES
SECTION FY 2018 BRIDGE DECK SEALING
PROJECT
BRIDGE DECK SEALING
CHAMPAIGN, DEWITT & MCLEAN COUNTIES

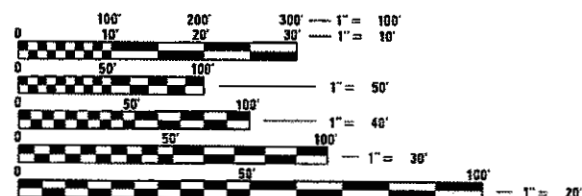
C-95-037-18

FOR INDEX OF SHEETS, SEE SHEET NO. 2

CURRENT ADT	
E. A. I. 55 BUSINESS (VETERANS PARKWAY)	
HIGHEST LOCATION SHOWN	
2011 ADT =	48,700
2031 ADT =	68,200
PU + PC =	94.1%
SU =	2.4%
MU =	3.5%

DESIGN DESIGNATION
N. A.

FOR LOCATION MAPS SEE SHEETS NO. 3 THRU NO. 5



FULL SIZE PLANS HAVE BEEN PREPARED USING STANDARD ENGINEERING SCALES. REDUCED SIZED PLANS WILL NOT CONFORM TO STANDARD SCALES. IN MAKING MEASUREMENTS ON REDUCED PLANS, THE ABOVE SCALES MAY BE USED.

J.U.L.I.E.
JOINT UTILITY LOCATION INFORMATION FOR EXCAVATION
1-800-892-0123
OR 811

PROJECT ENGINEER: TIM BRANDENBURG
PROJECT MANAGER

CONTRACT NO. 70C72

GROSS LENGTH = x.xx FT. = x.xxx MILE
NET LENGTH = x.xx FT. = x.xxx MILE

STATE OF ILLINOIS
DEPARTMENT OF TRANSPORTATION

SUBMITTED November 20, 2017
Barbara Jones
REGIONAL ENGINEER

Feb 2, 2018
James E. Etk
ENGINEER OF DESIGN AND ENVIRONMENT

Feb 2, 2018
David P. [Signature]
DIRECTOR OF PROGRAM DEVELOPMENT

PRINTED BY THE AUTHORITY
OF THE STATE OF ILLINOIS

INDEX OF SHEETS

SHEET NO.	DESCRIPTION
1	COVER SHEET
2	INDEX OF SHEETS, GENERAL NOTES AND HIGHWAY STANDARDS
3	CHAMPAIGN COUNTY LOCATION MAP
4	DEWITT COUNTY LOCATION MAP
5	MCLEAN COUNTY LOCATION MAP
6	SUMMARY OF QUANTITIES
7 - 10	TYPICAL APPLICATION SECTIONS
11 - 12	CHAMPAIGN COUNTY SCHEDULES
13 - 14	DEWITT COUNTY SCHEDULES
15 - 18	MCLEAN COUNTY SCHEDULES

GENERAL NOTES

G.N.-100
ENGLISH UNITS OF MEASUREMENT SHALL GOVERN OVER AND SUPERSEDE ANY METRIC UNITS SHOWN IN THIS CONTRACT. WHERE INCLUDED, METRIC UNITS ARE FOR INFORMATION ONLY.

G.N. - PAVEMENT MARKINGS AND MARKERS

EXISTING PAVEMENT MARKINGS AND RAISED REFLECTIVE PAVEMENT MARKERS SHALL BE TEMPORARILY COVERED PRIOR TO APPLICATION OF THE DECK SURFACE TREATMENT, TO PREVENT THE MATERIAL FROM BEING APPLIED TO THE MARKINGS AND MARKERS. THE TEMPORARY COVERING SHALL BE REMOVED AFTER APPLICATION OF THE DECK SURFACE TREATMENT AND PRIOR TO OPENING TO TRAFFIC. COST IS INCLUDED WITH THE DECK SURFACE TREATMENT SPECIFIED.

NO COMMITMENTS

LIST OF HIGHWAY STANDARDS

STANDARD NO.	DESCRIPTION
0000001-06	STANDARD SYMBOLS, ABBREVIATIONS AND PATTERNS
001006	DECIMAL OF AN INCH AND OF A FOOT
701201-04	LANE CLOSURE, 2 LANE, 2 WAY, DAY ONLY
701400-09	APPROACH TO LANE CLOSURE, FREEWAY/EXPRESSWAY
701406-11	LANE CLOSURE, FREEWAY/EXPRESSWAY, DAY OPERATIONS ONLY
701411-09	LANE CLOSURE, MULTILANE, AT ENTRANCES OR EXIT RAMP
701428-01	TRAFFIC CONTROL SETUP AND REMOVAL FREEWAY/EXPRESSWAY
701446-09	TWO LANE CLOSURE, FREEWAY/EXPRESSWAY
701901-07	TRAFFIC CONTROL DEVICES

MODEL: \$MODELNAME\$
FILE NAME: p:\11044\BID\INTEG.ILLINOIS.GOV\FWIDOT\Documents\DOT - Offices\District - 9\Projects\9070727\CAD\data\Hydraulics\907072 - int.gennote.dgn

USER NAME = brandenburgj	DESIGNED - TIB	REVISED -
	DRAWN -	REVISED -
PLOT SCALE = 40,0000' / in.	CHECKED -	REVISED -
PLOT DATE = 9/23/2017	DATE - 9/22/2017	REVISED -

STATE OF ILLINOIS
DEPARTMENT OF TRANSPORTATION

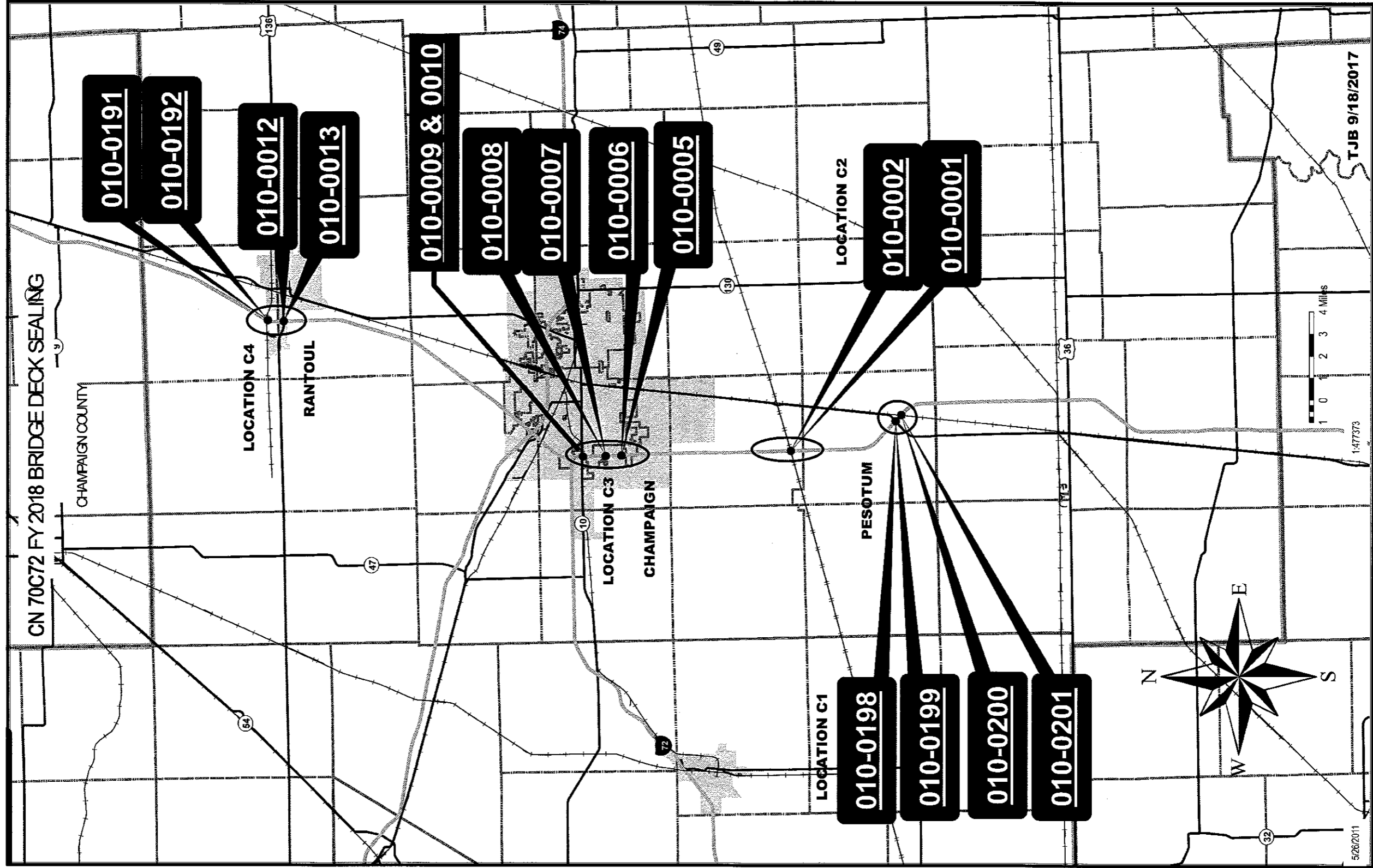
INDEX OF SHEETS, GENERAL NOTES AND HIGHWAY STANDARDS

SCALE: SHEET 1 OF 1 SHEETS STA. TO STA.

F.A. RTE.	SECTION	COUNTY	TOTAL SHEETS	SHEET NO.
VAR.	FY18 BRIDGE DECK SEALING	VARIOUS	18	2
			CONTRACT NO. 70C72	
ILLINOIS FED. AID PROJECT				

REV

MODEL: S:\MODELS\NAMES
 FILE NAME: p:\11\LIBRARY\INTEG.ILLINOIS.GOV\PWID\DOT\Documents\DOT_Offices\Bureau_3\Projects\0570C72\CAD\Map\Hydro\0570C72-01-00-00.mxd



TJB 9/18/2017

5/26/2011

CN 70C72 FY 2018 BRIDGE DECK SEALING

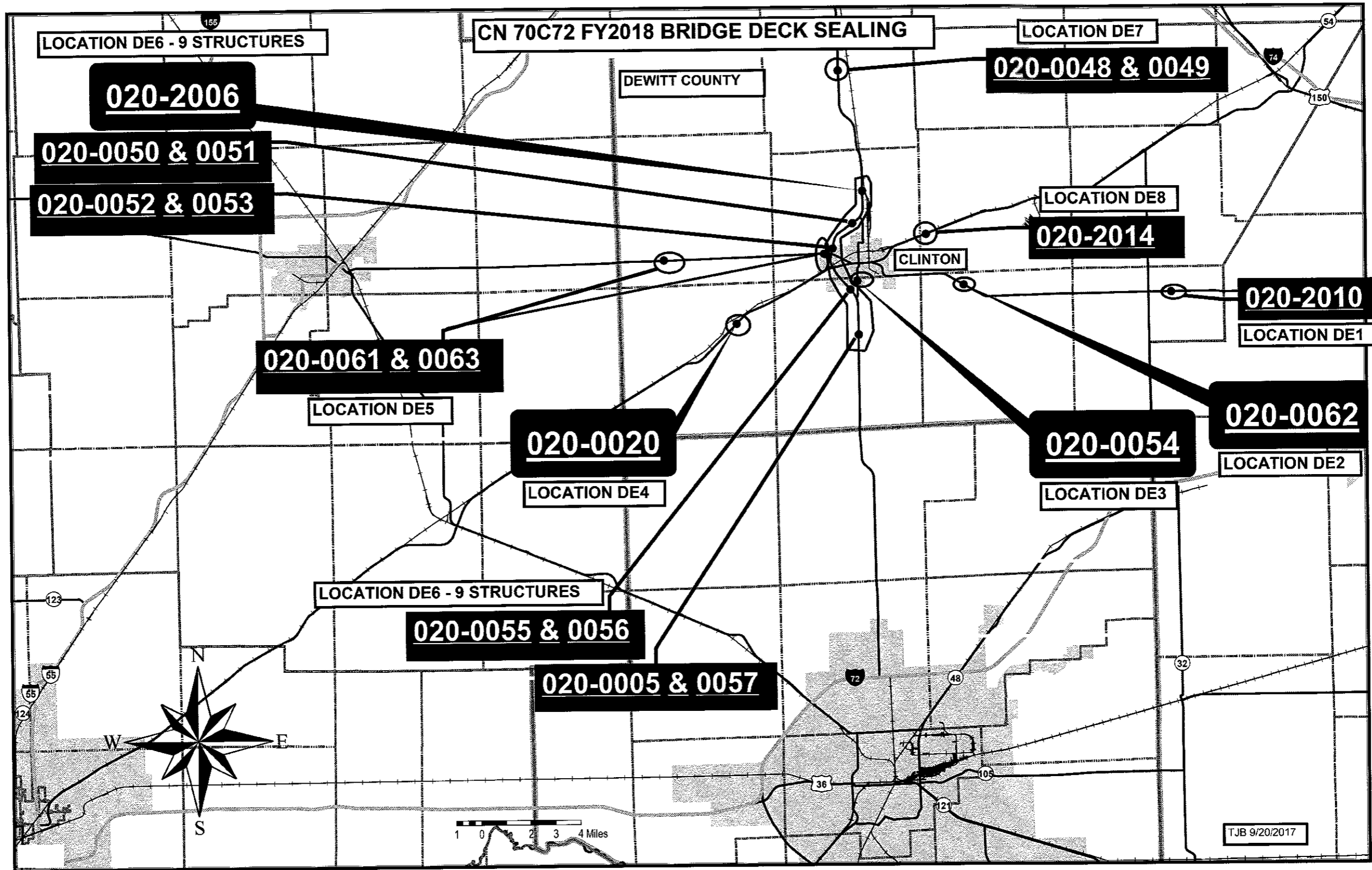
USER NAME = brandenburgtj	DESIGNED - TJB	REVISED -
PLOT SCALE = 40.0000' / in.	DRAWN -	REVISED -
PLOT DATE = 9/23/2017	CHECKED -	REVISED -
	DATE = 9/22/2017	REVISED -

STATE OF ILLINOIS
 DEPARTMENT OF TRANSPORTATION

CHAMPAIGN COUNTY LOCATION MAP

SCALE: SHEET 1 OF 3 SHEETS STA. TO STA.

F.A. RTE.	SECTION	COUNTY	TOTAL SHEETS	SHEET NO.
VAR. FY18 BRIDGE DECK SEALING		VARIOUS	18	3
CONTRACT NO. 70C72			ILLINOIS FED. AID PROJECT	



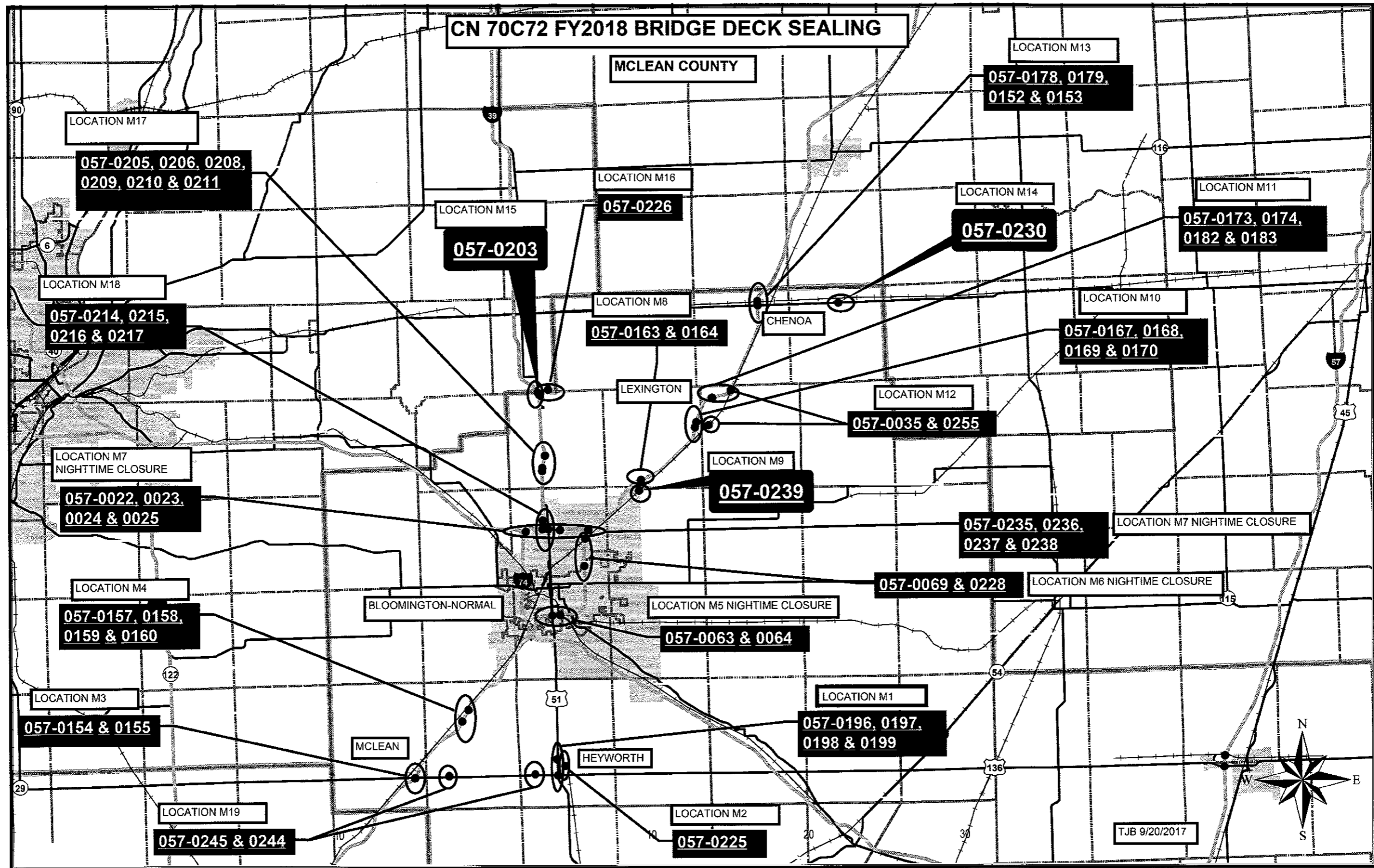
MODEL - SHORCLIFF.MXD
 FILE NAME - \\p11001\documents\DOT - Office\Director - 9\projects\57672\CAD\Map\Hydraulic\57672-Subloc - maps.dgn

USER NAME = brandenburgj	DESIGNED - TJB	REVISED -
DRAWN -	REVISED -	
PLOT SCALE = 40.0000" / in.	CHECKED -	REVISED -
PLOT DATE = 9/23/2017	DATE - 9/22/2017	REVISED -

STATE OF ILLINOIS
DEPARTMENT OF TRANSPORTATION

DEWITT COUNTY LOCATION MAP	
SCALE:	STATION TO STATION
SHEET 2	OF 3 SHEETS

F.A. RTE.	SECTION	COUNTY	TOTAL SHEETS	SHEET NO.
VAR.	FY18 BRIDGE DECK SEALING	VARIOUS	38	4
CONTRACT NO. 70C72				
ILLINOIS FED. AID PROJECT				



MODEL: SP08R1MAME4
 FILE NAME: P:\GIS\BRIDGE\PROJECTS\CN70C72\CAD\DATA\MAPS\LOCATIONS\LOCATIONS.dwg

USER NAME = brandenburgj	DESIGNED - TJB	REVISED -
PLOT SCALE = 40,0000' / in.	DRAWN -	REVISED -
PLOT DATE = 9/23/2017	CHECKED -	REVISED -
	DATE - 9/22/2017	REVISED -

STATE OF ILLINOIS
DEPARTMENT OF TRANSPORTATION

MCLEAN COUNTY LOCATION MAP

SCALE: SHEET 3 OF 3 SHEETS STA. TO STA.

F.A. RTE.	SECTION	COUNTY	TOTAL SHEETS	SHEET NO.
VAR.	FY18 BRIDGE DECK SEALING	VARIOUS	18	5
			CONTRACT NO. 70C72	
ILLINOIS FED. AID PROJECT				

SUMMARY OF QUANTITIES

LOCATION OF WORK:	VARIOUS ROUTES
	SECTION FY 2018 BRIDGE DECK SEALING
	MULTI-LANE INTERSTATE (FOUR AND SIX LANES) AND TWO-LANE HIGHWAYS
FUNDING BREAKOUT:	FUNDING 100% STATE
	BRIDGE PRESERVATION
CONSTRUCTION TYPE CODE:	0047

CODE NO	ITEM	UNIT	TOTAL QUANTITY	CHAMPAIGN COUNTY		MCLEAN COUNTY		DEWITT COUNTY	
				RURAL QUANTITY	URBAN QUANTITY	RURAL QUANTITY	URBAN QUANTITY	RURAL QUANTITY	URBAN QUANTITY
67100100	MOBILIZATION	L SUM	1.0	0.1	0.1	0.4	0.2	0.1	0.1
70100420	TRAFFIC CONTROL AND PROTECTION, STANDARD 701411	EACH	31.0	5.0	2.0	13.0	11.0	0.0	0.0
70100450	TRAFFIC CONTROL AND PROTECTION, STANDARD 701201	L SUM	1.0	0.0	0.0	0.5	0.0	0.3	0.2
70100700	TRAFFIC CONTROL AND PROTECTION, STANDARD 701406	L SUM	1.0	0.1	0.1	0.5	0.1	0.1	0.1
70100815	TRAFFIC CONTROL AND PROTECTION, STANDARD 701446	L SUM	1.0	0.0	0.0	0.0	1.0	0.0	0.0
70200100	NIGHTTIME WORK ZONE LIGHTING	L SUM	1.0	0.0	0.0	0.0	1.0	0.0	0.0
X5870015	BRIDGE DECK CONCRETE SEALER	SQ FT	1,132,889.0	87,061.0	86,998.0	469,034.0	321,602.0	132,209.0	35,985.0
X7015005	CHANGEABLE MESSAGE SIGN	CAL DA	26.0	0.0	8.0	0.0	10.0	0.0	8.0

NO SPECIALTY ITEMS

MODEL: SMODELNAME\$ FILE NAME: pw\1108481\B10NTEG.illinois.gov\FWIDOT\Documents\DDT - Office\District - 5\projects\0570727\CAD\Drawings\Hydraulics\0570727.plt:500.dgn

USER NAME = brandenburtj	DESIGNED - TJB	REVISED - TJB
DRAWN -	REVISIONS -	
PLOT SCALE = 40,0000' / in.	CHECKED -	REVISED -
PLOT DATE = 11/27/2017	DATE - 9/22/2017	REVISED - 11/27/2017

**STATE OF ILLINOIS
DEPARTMENT OF TRANSPORTATION**

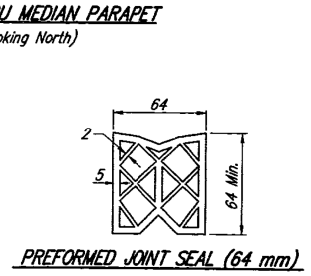
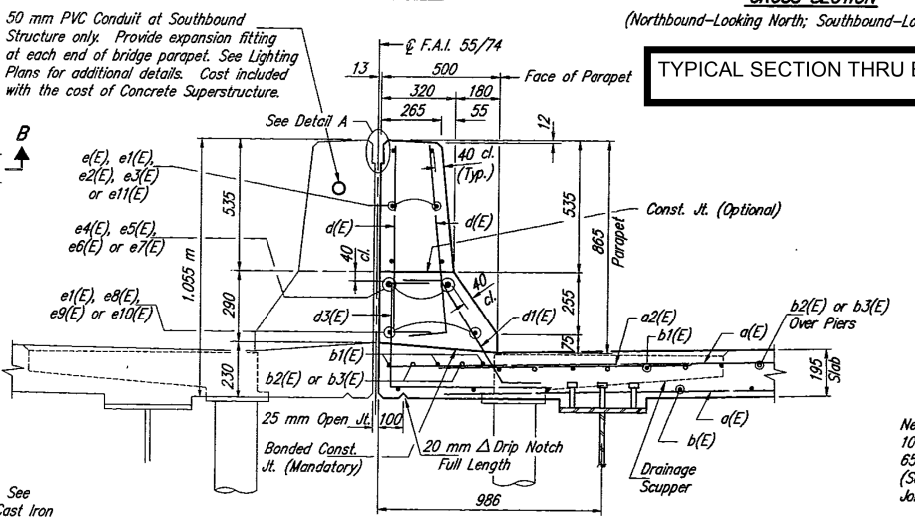
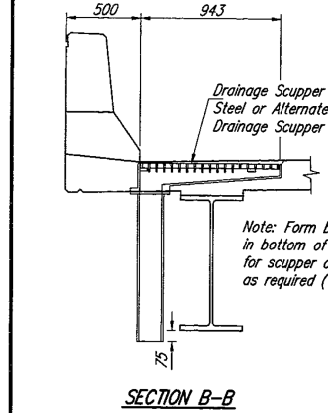
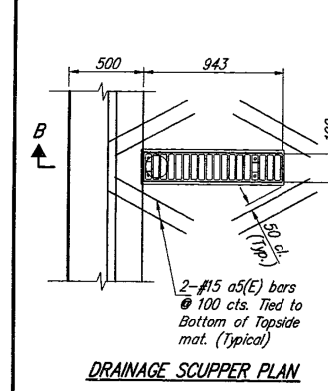
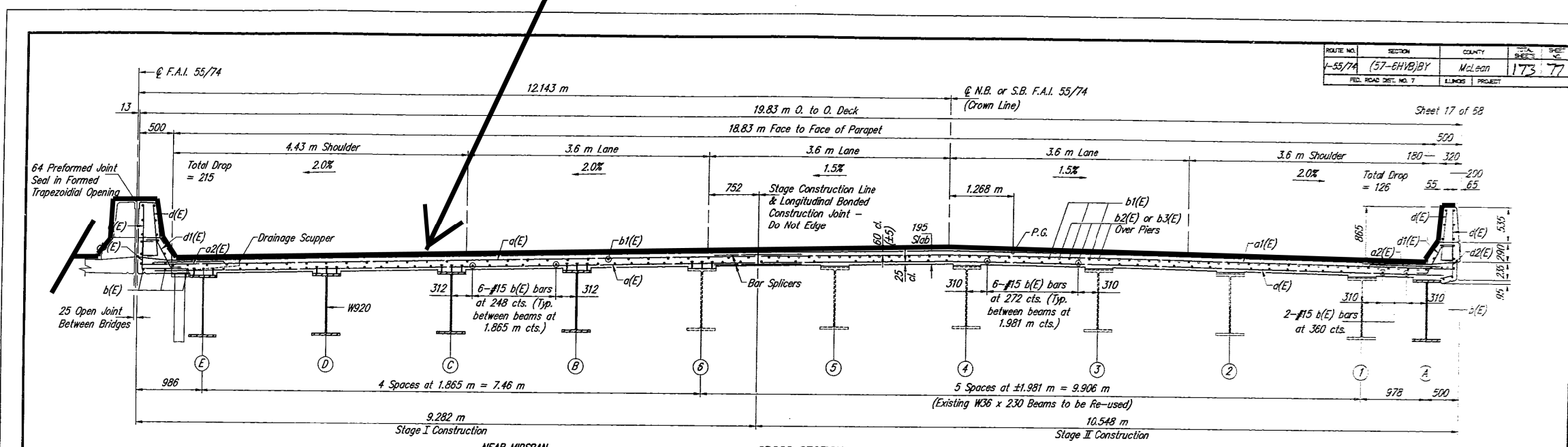
SUMMARY OF QUANTITIES

SCALE: SHEET 1 OF 1 SHEETS STA. TO STA.

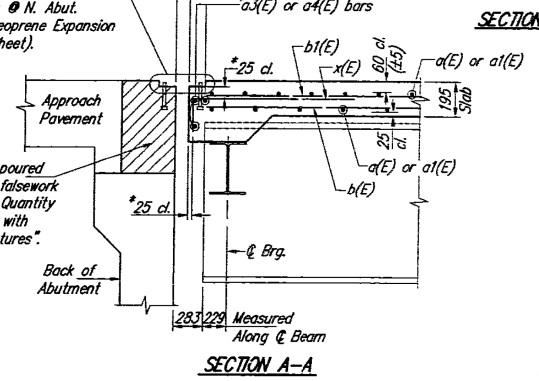
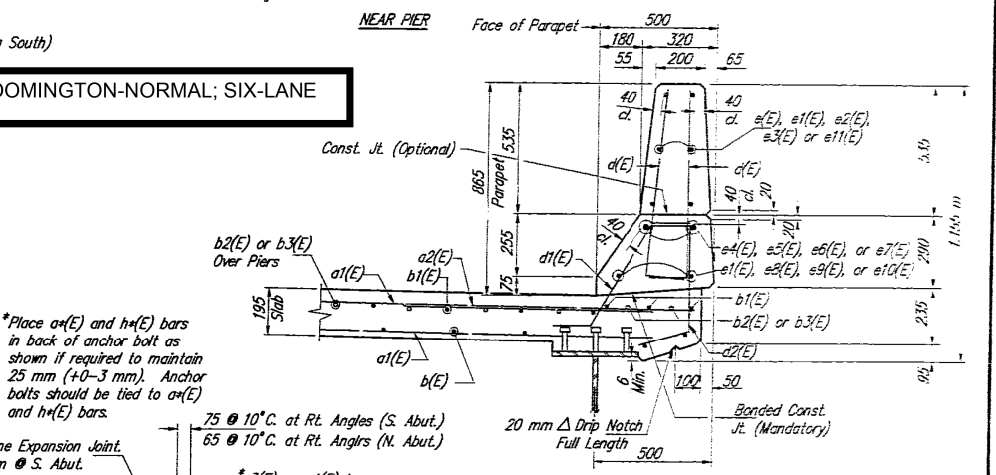
F.A. RTE.	SECTION	COUNTY	TOTAL SHEETS	SHEET NO.
VAR. FY18 BRIDGE DECK SEALING	VARIOUS	VARIOUS	18	6
CONTRACT NO. 70C72				
ILLINOIS FED. AID PROJECT				

PROPOSED BRIDGE DECK CONCRETE SEALER

ROUTE NO.	SECTION	COUNTY	TOTAL SHEETS	SHEET NO.
1-55/74	(57-6HV8)BY	McLean	173	77
FED. ROAD DIST. NO. 7		ILLINOIS PROJECT		



TYPICAL SECTION THRU BLOOMINGTON-NORMAL; SIX-LANE



SUPERSTRUCTURE DETAILS
 F.A.I. 55/74 OVER N.S. R.R. & WHITE OAK ROAD
 SECTION (57-6HV8)BY
 STRUCTURE NO. 057-0018 (N.B.) & 057-0019 (S.B.)
 McLEAN COUNTY
 STATION 31+260.705

HANSON ENGINEERS
 INCORPORATED
 1525 SOUTH SIXTH STREET SPRINGFIELD, IL 62713

DATE: 4/17/98
 SHEET NO.: 9452063

USER NAME = brandenburgj	DESIGNED - TJB	REVISED -
DRAWN -	CHECKED -	REVISED -
PLOT SCALE = 40.0000" / in.	DATE - 9/22/2017	REVISED -
PLOT DATE = 9/23/2017		

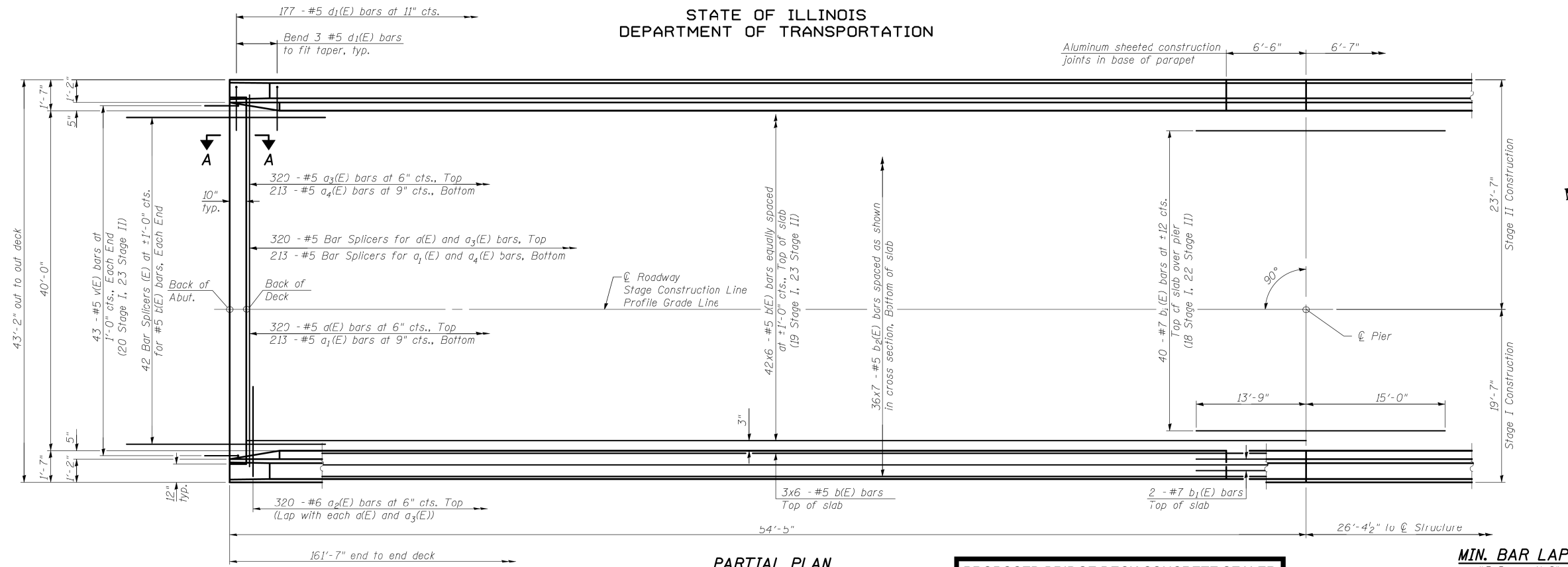
STATE OF ILLINOIS
DEPARTMENT OF TRANSPORTATION

TYPICAL SIX-LANE SECTION THRU BLOOMINGTON-NORMAL

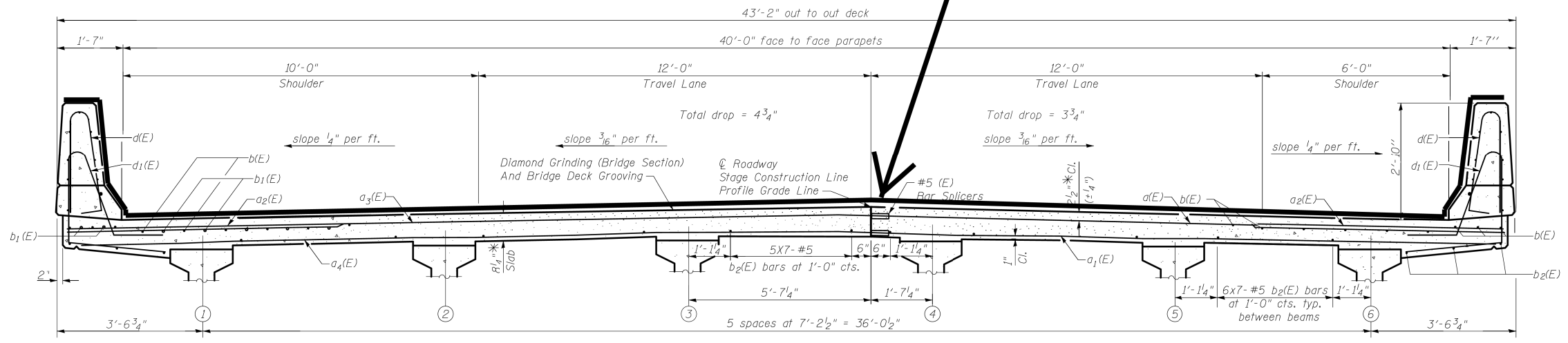
SCALE: SHEET 1 OF 4 SHEETS STA. TO STA.

F.A. RTE.	SECTION	COUNTY	TOTAL SHEETS	SHEET NO.
VAR. FY18 BRIDGE DECK SEALING		VARIOUS	18	7
				CONTRACT NO. 70C72
				ILLINOIS FED. AID PROJECT

STATE OF ILLINOIS
DEPARTMENT OF TRANSPORTATION



PARTIAL PLAN



TYPICAL SECTION; FOUR-LANE WITH PARAPET; DUAL STRUCTURES

DESIGNED	RRD
CHECKED	AJS
DRAWN	KAS
CHECKED	JAR

Notes:
See Sheet 12 of 27 for superstructure details and Bill of Material.
Bars indicated thus 20 x 3-#5 etc. indicates 20 lines of bars with 3 lengths per line.
See Sheet 12 of 27 for parapet reinforcement.
See Sheet 27 of 27 for bar splicers details.
See Sheet 11 of 27 for diaphragm details.

CROSS SECTION

(Looking Upstation Westbound)
(Looking Downstation Eastbound)

PROPOSED BRIDGE DECK CONCRETE SEALER

MIN. BAR LAP
#5 Bar = 1'-8"

SUPERSTRUCTURE
I-74 OVER LITTLE KICKAPOO CREEK
STRUCTURE NO. 057-0120
AND 057-0121

STRAND ASSOCIATES, INC.

SHEET NO. 10	F.A.I. RTE. 74	SECTION (57-21B)BR	COUNTY MCLEAN	TOTAL SHEETS 61	SHEET NO. 22
27 SHEETS	SUPERSTRUCTURE DETAILS (1 OF 3)		CONTRACT NO. 70641		
FED. ROAD DIST. NO. 7 ILLINOIS FED. AID PROJECT					

MODEL: S:\MODEL\MATF... FILE NAME: P:\ILLINOIS\BRIDGE\I74\I74_057-0120\I74_057-0121.dwg

USER NAME = brandenburgtj	DESIGNED - TJB	REVISED -
PLOT SCALE = 40.0000' / in.	CHECKED -	REVISED -
PLOT DATE = 9/23/2017	DATE - 9/22/2017	REVISED -

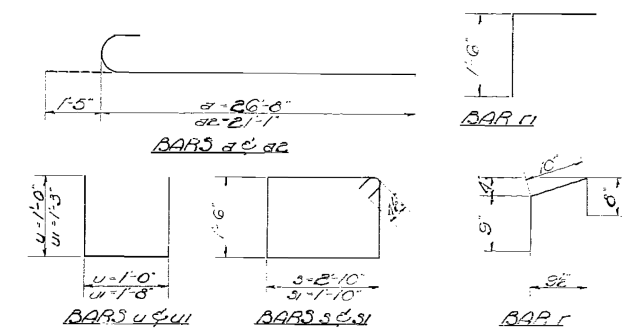
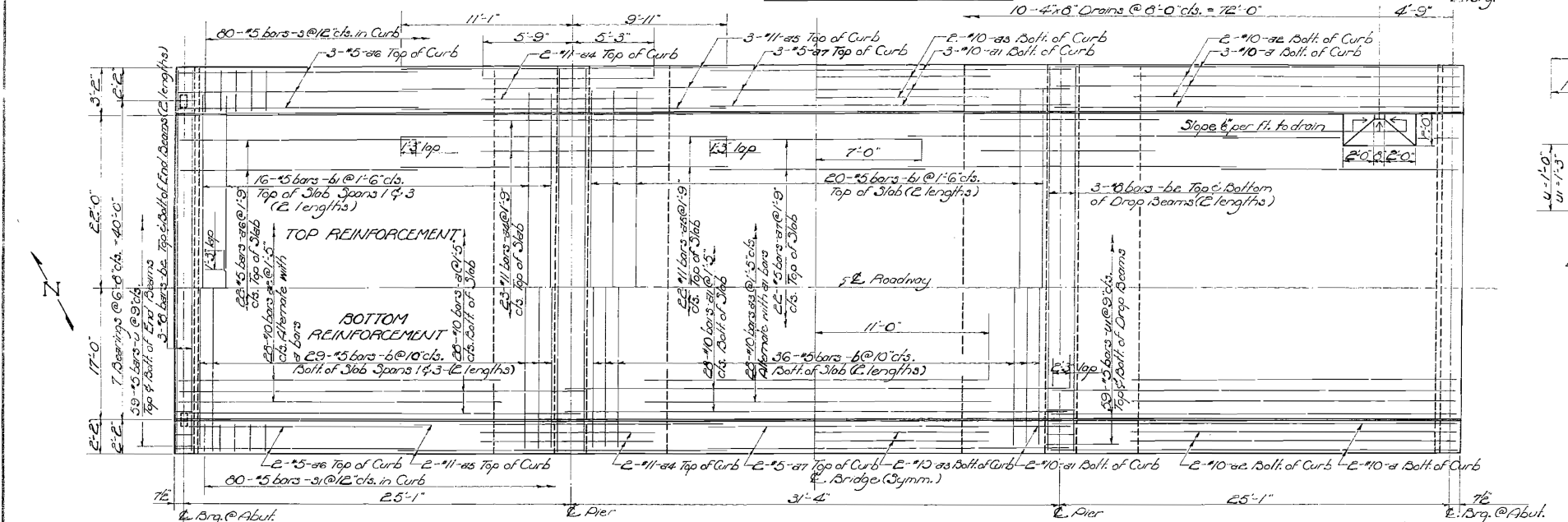
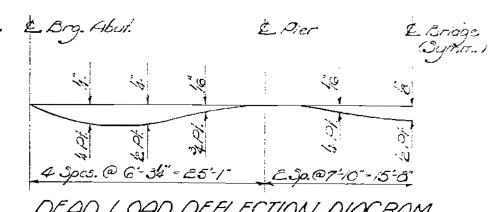
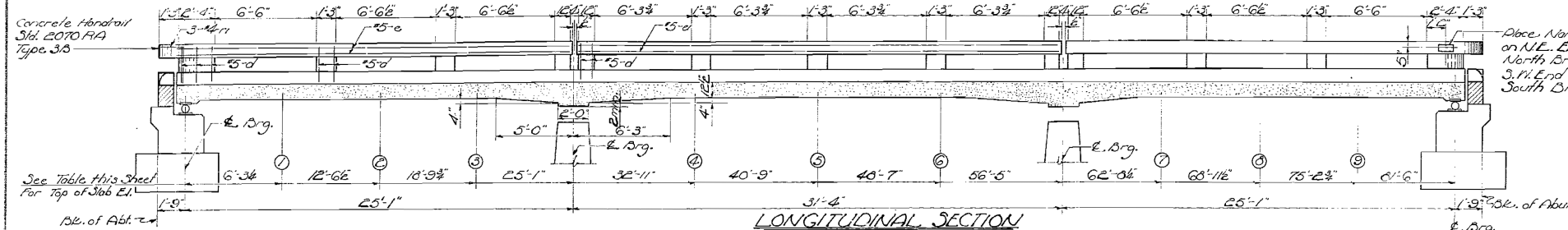
STATE OF ILLINOIS
DEPARTMENT OF TRANSPORTATION

SCALE:	SHEET 2 OF 4 SHEETS	STA. TO STA.
--------	---------------------	--------------

F.A. RTE. VAR.	SECTION FY18 BRIDGE DECK SEALING	COUNTY VARIOUS	TOTAL SHEETS 18	SHEET NO. 8
ILLINOIS FED. AID PROJECT				

STATE OF ILLINOIS
DEPARTMENT OF PUBLIC WORKS & BUILDINGS
DIVISION OF HIGHWAYS

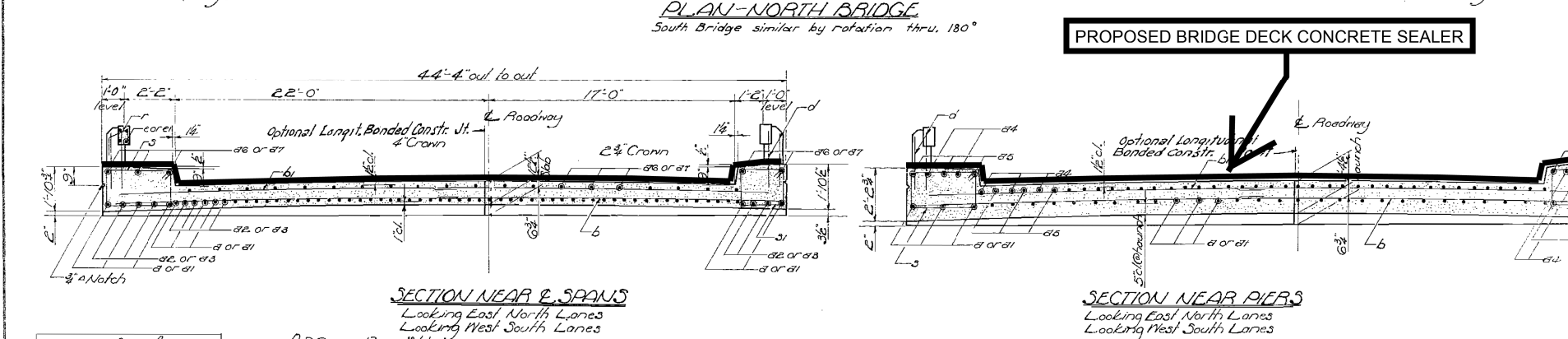
ROUTE NO.	SECTION	COUNTY	TOTAL SHEETS	SHEET NO.
74	57-11B	MCLEAN	19	6
SHEET NO. 2 OF SHEETS				



BILL OF MATERIALS - P. BRIDGES

Bar No.	Size	Length	Spans
a	13E	10	28'-1"
a1	6E	10	33'-6"
aa	12E	10	22'-6"
ab	6E	10	22'-0"
ac	10E	11	11'-0"
ad	10E	11	21'-0"
ae	10E	15	15'-9"
af	5E	15	14'-0"
b	37E	15	22'-3"
b1	20E	15	21'-6"
bc	3E	18	23'-0"
c	16E	15	9'-5"
ci	16E	15	7'-5"
u	47E	15	3'-0"
ui	47E	15	4'-2"
d	21E	15	2'-9"
e	3E	15	25'-6"
e1	1E	15	31'-0"
f	11E	14	2'-3"
f1	2E	14	3'-0"

Class A Concrete	Cu. Yds.	334.1
Harborfill Concrete	Cu. Yds.	6.0
Reinforcement Bars	Lbs.	32,630
Structural Steel	Lbs.	60,040
Name Plates	Each	2



TYPICAL SECTION; FOUR-LANE WITH CURB; DUAL STRUCTURES

ROADWAY NORTH & SOUTH LANES

Location	E. Pier	(1)	(2)	(3)	E. Pier	(4)	(5)	(6)	E. Pier	(7)	(8)	(9)	E. Pier	(10)
Theoretical Elevation	755.75	755.70	755.61	755.05	755.00	755.93	755.97	756.02	756.07	756.10	756.14	756.18	756.22	
Theoretical E.L. HD. Defl.	755.75	755.60	755.63	755.66	755.60	755.93	755.90	756.02	756.07	756.11	756.16	756.20	756.22	

DESIGNED: Joseph W. Linn
CHECKED: C. W. Shick
DRAWN: K. J. ...
CHECKED: C. W. J.

EXAMINED: M. E. Bauman
PASSED: ...
APPROVED: R. P. ...

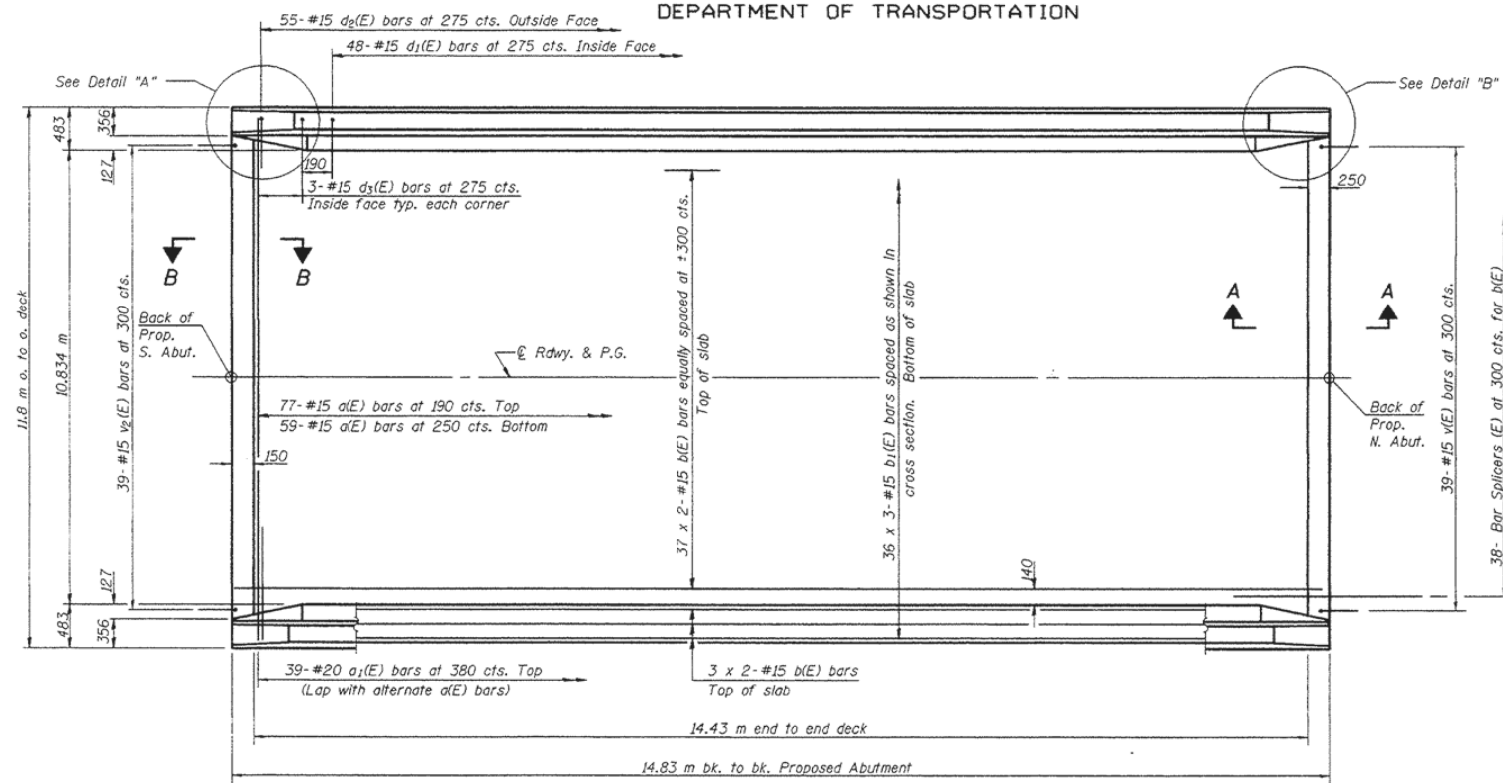
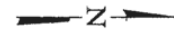
SUPERSTRUCTURE
F.A.I.R.T. 74 - SEC. 57-11B
MCLEAN COUNTY
STA. 1512+64

MODEL: S:\MODELNAME
FILE NAME: P:\PROJECTS\707273\CADD\DATA\HYDRAULICS\570727-57-11B-DETAILED.DWG

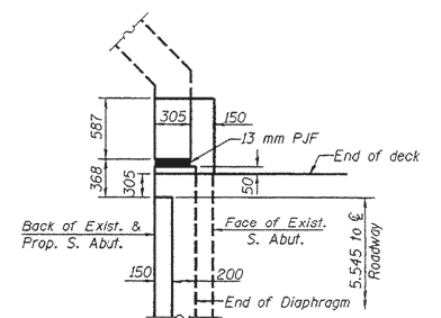
STATE OF ILLINOIS
DEPARTMENT OF TRANSPORTATION

STATE NO.	SECTION	COUNTY	TOTAL SHEETS	SHEET NO.
F.A. RTE.	SECTION	COUNTY	18	11
PROJECT NO.	PROJECT	PROJECT	CONTRACT NO. 021-0011	

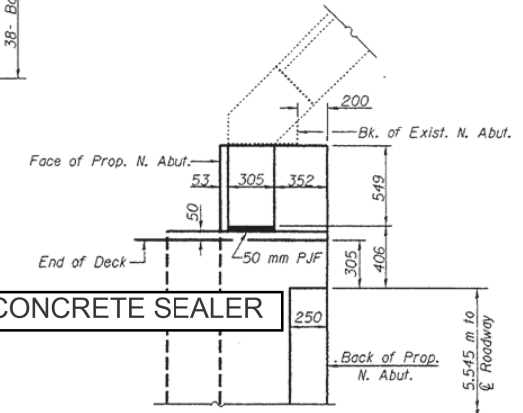
SHEET NO. 3
13 SHEET
90948



PLAN

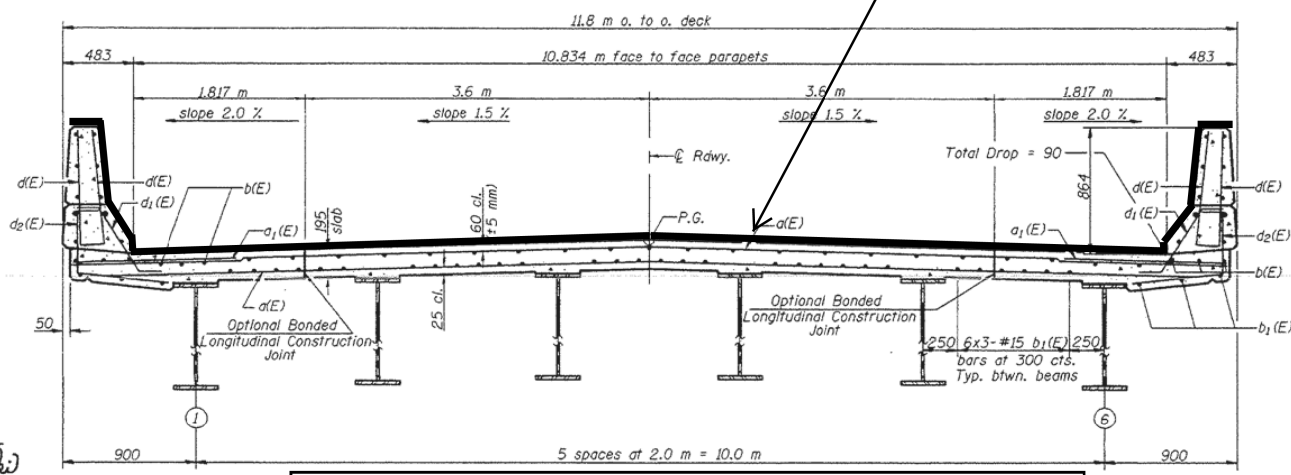


DETAIL "A"
Parapet and Approach not shown.



DETAIL "B"
Parapet and Approach not shown.

PROPOSED BRIDGE DECK CONCRETE SEALER



TYPICAL SECTION; TWO-LANE TWO-WAY WITH PARAPET

CROSS SECTION
(Looking North)

MIN. BAR LAPS
#15 bars = 640

Notes: See Sheet 4 of 13 for superstructure details and Bill of Material.
Reinforcement bars designated (E) shall be epoxy coated.
Bars indicated thus 1 x 3-#15 etc. indicates 1 line of bars with 3 lengths per line.
See Sheet 4 of 13 for parapet reinforcement.
All dimensions are in millimeters (mm) except as noted.
See sheet 12 of 13 for bar splicer details.

SUPERSTRUCTURE
F.A.S. RTE. 1671 SEC. 22BR-1
DOUGLAS COUNTY
STATION 22+618.644
STRUCTURE NO. 021-0011

DESIGNED	Jonas H. Petty	January 30, 2014
CHECKED	Mark D. Shaffer	
DRAWN	R. Sommer	
CHECKED	J.D.P./M.D.S.	
EXAMINED	Thomas J. Demagala	
PASSED	Ralph E. Anderson	

MODEL: S:\MODEL\MATTS... FILE NAME: P:\PROJECTS\0570C72\CADD\DATA\Hydraulic\0570C72-rh-draw1.dgn

USER NAME	= brandenburgjt	DESIGNED	- TJB	REVISED	-
PLOT SCALE	= 40.0000 "/in.	DRAWN	-	REVISED	-
PLOT DATE	= 9/23/2017	CHECKED	-	REVISED	-
		DATE	- 9/22/2017	REVISED	-

STATE OF ILLINOIS
DEPARTMENT OF TRANSPORTATION

TYPICAL TWO-LANE TWO-WAY SECTION WITH PARAPET

SCALE: SHEET 4 OF 4 SHEETS STA. TO STA.

F.A. RTE.	SECTION	COUNTY	TOTAL SHEETS	SHEET NO.
VAR.	FY18 BRIDGE DECK SEALING	VARIOUS	18	10
CONTRACT NO. 70C72				
ILLINOIS FED. AID PROJECT				

CHAMPAIGN COUNTY STRUCTURES SCHEDULE OF QUANTITIES

ACTUAL MEASUREMENTS

SN	ROUTE CARRIED	FEATURE CROSSED	SIMS INFORMATION		DECK			APPROACH SLABS					PARAPETS (HUB, FACE & TOP)				TYPE B CURB (FACE & TOP)			TOTAL (SQ FT)	RURAL	URBAN	
			LENGTH	WIDTH	LENGTH (E-E)	WIDTH (F-F)	AREA (SQ FT)	LENGTH (FT)	DIMENSIONS INSIDE PARAPET / CURB		DIMENSIONS BEYOND PARAPET / CURB		AREA (SQ FT)	HEIGHT	LENGTH (FT)		AREA (SQ FT)	HEIGHT	LENGTH				AREA (SQ FT)
									LENGTH	WIDTH	LENGTH	WIDTH			3.6 FT TYPICAL	ALONG DECK							
010-0001	I-57(SB)	N&S RR	148.5	44.6	145.0	41.4	6003.0	30.0	13.5	41.4	16.5	42.4	2517.0	3.60	145.0	13.5	1238.4	0.75	16.5	49.5	9808.0	X	
010-0002	I-57(NB)	N&S RR	148.5	44.6	145.0	41.4	6003.0	30.0	13.5	41.4	16.5	42.4	2517.0	3.60	145.0	13.5	1238.4	0.75	16.5	49.5	9808.0	X	
010-0005	I-57(SB)	PHINNEY BRANCH	115.8	43.7	113.5	40.5	4595.5	30.0	0	40.5	30.0	40.5	2430.0	3.60	113.5	0.0	817.0	0.75	30.0	90.0	7933.0		X
010-0006	I-57(NB)	PHINNEY BRANCH	115.8	43.7	113.5	40.5	4595.5	30.0	0	40.5	30.0	40.5	2430.0	3.60	113.5	0.0	817.0	0.75	30.0	90.0	7933.0		X
010-0007	I-57(SB)	COPPER SLOUGH	99.8	43.7	97.5	40.5	3947.5	30.0	13.5	40.5	16.5	40.5	2430.0	3.60	97.5	13.5	896.2	0.75	16.5	49.5	7324.0		X
010-0008	I-57(NB)	COPPER SLOUGH	99.8	43.7	97.5	40.5	3947.5	30.0	13.5	40.5	16.5	40.5	2430.0	3.60	97.5	13.5	896.2	0.75	16.5	49.5	7324.0		X
010-0009	I-57(NB)	ILL 10 & IC RR	303.2	36.8	303.2	34.0	10308.8	20.0	0	0.0	20.0	5.2	208.0	3.60	303.2	0.0	2183.0	0.75	20.0	60.0	12760.0		X
010-0010	I-57(SB)	ILL 10 & IC RR	303.2	36.8	303.2	34.0	10308.8	20.0	0	0.0	20.0	5.2	208.0	3.60	303.2	0.0	2183.0	0.75	20.0	60.0	12760.0		X
010-0012	I-57(SB)	US 136(FAP 709)	199.9	57.2	197.6	54.0	10668.8	30.0	0	0.0	30.0	55.0	3300.0	3.60	197.6	0.0	1422.5	0.75	30.0	90.0	15482.0		X
010-0013	I-57(NB)	US 136(FAP 709)	199.9	57.2	197.6	54.0	10668.8	30.0	0	0.0	30.0	55.0	3300.0	3.60	197.6	0.0	1422.5	0.75	30.0	90.0	15482.0		X
010-0191	I-57(NB)	IC RR	155.9	42.6	153.6	39.4	6050.7	30.0	0	39.4	30.0	40.4	2424.0	3.60	153.6	0.0	1105.7	0.75	30.0	90.0	9671.0	X	
010-0192	I-57(SB)	IC RR	155.9	42.6	153.6	39.4	6050.7	30.0	0	39.4	30.0	40.4	2424.0	3.60	153.6	0.0	1105.7	0.75	30.0	90.0	9671.0	X	
010-0198	I-57(NB)	FAP 804(US 45)	121.7	43.7	121.7	39.0	4746.3	0.0	0	0.0	0.0	0.0	0.0	0.75	121.7	0.0	182.6	0.00	0.0	0.0	4929.0	X	
010-0199	I-57(SB)	US 45(FAS 1671)	121.7	44.0	121.7	39.0	4746.3	0.0	0	0.0	0.0	0.0	0.0	0.75	121.7	0.0	182.6	0.00	0.0	0.0	4929.0	X	
010-0200	I-57(SB)	IC RR & TR 132	365.8	44.6	363.5	41.4	15047.7	30.0	13.5	41.4	16.5	41.4	2484.0	3.60	363.5	13.5	2811.4	0.75	16.5	49.5	20393.0	X	
010-0201	I-57(NB)	IC RR & TR 132	365.8	44.6	363.5	35.4	12866.8	30.0	13.5	35.4	16.5	35.4	2124.0	3.60	363.5	13.5	2811.4	0.75	16.5	49.5	17852.0	X	
TOTALS (SQ FT)																				174,059	87,061	86,998	

MODEL: \\MODELNAME
 FILE NAME: \\FILENAME
 PROJECT: \\PROJECT
 OFFICE: \\OFFICE
 DATE: 9/23/2017

USER NAME = brandenburgj	DESIGNED - TJB	REVISED -
	DRAWN -	REVISED -
PLOT SCALE = 40.0000 ' / in.	CHECKED -	REVISED -
PLOT DATE = 9/23/2017	DATE - 9/22/2017	REVISED -

**STATE OF ILLINOIS
DEPARTMENT OF TRANSPORTATION**

CHAMPAIGN COUNTY SCHEDULE OF QUANTITIES

SCALE: SHEET 1 OF 8 SHEETS STA. TO STA.

F.A. RTE.	SECTION	COUNTY	TOTAL SHEETS	SHEET NO.
VAR.	FY18 BRIDGE DECK SEALING	VARIOUS	18	11
CONTRACT NO. 70C72				
		ILLINOIS	FED. AID PROJECT	

MODEL: \\MODELNAME
 FILE NAME: \\FILENAME
 PROJECT: \\PROJECT
 OFFICE: \\OFFICE
 DATE: \\DATE

CHAMPAIGN COUNTY STRUCTURES SCHEDULE OF QUANTITIES														
		TRAFFIC CONTROL & PROTECTION							PROSECUTION & PROGRESS		RURAL	URBAN		
SN	ROUTE CARRIED	FEATURE CROSSED	STANDARD 701400	STANDARD 701406	STANDARD 701411 (DL ONLY)	STANDARD 701446	STANDARD 701201	LOCATION	SUMMARY	CHANGEABLE MESSAGE SIGN (Calendar Days)	WORKING DAYS	PROSECUTION		
010-0001	I-57(SB)	N&S RR	2	2				C2	4 - 701400	N.A.	2	1 DAY DL; NB&SB	X	
010-0002	I-57(NB)	N&S RR	2	2			4 - 701406		1 DAY PL; NB&SB			X		
010-0005	I-57(SB)	PHINNEY BRANCH	1	1			C3		2-CMS (NB&SB) 8 CD'S TOTAL	4			X	
010-0006	I-57(NB)	PHINNEY BRANCH	1	1				4 - 701400			1 DAY DL; NB		X	
010-0007	I-57(SB)	COPPER SLOUGH	1	1				4 - 701406			1 DAY PL; NB		X	
010-0008	I-57(NB)	COPPER SLOUGH	1	1				1 - 701411			1 DAY DL; SB		X	
010-0009	I-57(NB)	ILL 10 & IC RR	INCL.	INCL.				4 WD'S; 6 SN'S			1 DAY PL; SB		X	
010-0010	I-57(SB)	ILL 10 & IC RR	INCL.	INCL.	1								X	
010-0012	I-57(SB)	US 136(FAP 709)	1	1			C4	4 - 701400	N.A.	2			X	
010-0013	I-57(NB)	US 136(FAP 709)	1	1	1			4 - 701406			1 DAY DL; NB&SB		X	
010-0191	I-57(NB)	IC RR	1	1	1			3 - 701411			1 DAY PL; NB&SB	X		
010-0192	I-57(SB)	IC RR	1	1	1			2 WD'S; 4 SN'S				X		
010-0198	I-57(NB)	FAP 804(US 45)	1	1			C1	4 - 701400	N.A.	2		X		
010-0199	I-57(SB)	US 45(FAS 1671)	1	1	1			4 - 701406			1 DAY DL; NB&SB	X		
010-0200	I-57(SB)	IC RR & TR 132	1	1	1			3 - 701411			1 DAY PL; NB&SB	X		
010-0201	I-57(NB)	IC RR & TR 132	1	1	1			2 WD'S; 4 SN'S				X		
TC&P SET-UPS & CMS CALENDAR DAYS			16	16	7				8	10				
WORKING DAYS PER STANDARD			10	10	5				USE AT RE'S DIRECTION					

USER NAME = brandenburgj	DESIGNED - TJB	REVISED -
	DRAWN -	REVISED -
PLOT SCALE = 40,0000 ' / in.	CHECKED -	REVISED -
PLOT DATE = 9/23/2017	DATE - 9/22/2017	REVISED -

**STATE OF ILLINOIS
 DEPARTMENT OF TRANSPORTATION**

CHAMPAIGN COUNTY SCHEDULE OF QUANTITIES

SCALE: SHEET 2 OF 8 SHEETS STA. TO STA.

F.A. RTE.	SECTION	COUNTY	TOTAL SHEETS	SHEET NO.
VAR.	FY18 BRIDGE DECK SEALING	VARIOUS	18	12
			CONTRACT NO. 70C72	
		ILLINOIS	FED. AID PROJECT	

DEWITT COUNTY STRUCTURES SCHEDULE OF QUANTITIES

ACTUAL MEASUREMENTS

SN	ROUTE CARRIED	FEATURE CROSSED	SIMS INFORMATION		DECK			APPROACH SLABS					PARAPETS (HUB, FACE & TOP)				TYPE B CURB (FACE & TOP)			TOTAL (SQ FT)	RURAL	URBAN	
			LENGTH	WIDTH	LENGTH (E-E)	WIDTH (F-F)	AREA (SQ FT)	LENGTH (FT)	DIMENSIONS INSIDE PARAPET / CURB		DIMENSIONS BEYOND PARAPET / CURB		AREA (SQ FT)	HEIGHT	LENGTH (FT)		AREA (SQ FT)	HEIGHT	LENGTH				AREA (SQ FT)
									LENGTH	WIDTH	LENGTH	WIDTH			3.6 FT TYPICAL	ALONG DECK							
020-0005	US 51 (SB)(FAP 322)	SALT CREEK	309.5	43.2	306.5	40.0	12260.0	30.0	11.5	40.0	18.5	24.0	1808.0	3.60	306.5	11.5	2372.4	0.75	0.5	1.5	16442.0	X	
020-0020	IL 54 (FAP 71)	SALT CREEK	393.0	35.2	389.6	32.0	12467.2	20.0	0	32.0	20.0	33.2	1328.0	3.60	389.6	0.0	2805.1	0.75	20.0	60.0	16661.0	X	
020-0048	US 51 (SB)(FAP 322)	LONG POINT CREEK	153.0	43.2	149.8	40.0	5992.0	30.0	16	40.0	14.0	24.0	1952.0	3.60	149.8	16.0	1309.0	0.75	14.0	42.0	9295.0	X	
020-0049	US 51 (NB)(FAP 322)	LONG POINT CREEK	153.0	43.2	149.8	40.0	5992.0	30.0	16	40.0	14.0	24.0	1952.0	3.60	149.8	16.0	1309.0	0.75	14.0	42.0	9295.0	X	
020-0050	US 51 (SB)(FAP 322)	TEN MILE CREEK	98.0	43.2	94.3	40.0	3772.0	30.0	12	39.0	18.0	24.0	1800.0	3.60	94.3	12.0	851.8	0.75	0.0	0.0	6424.0	X	
020-0051	US 51 (NB)(FAP 322)	TEN MILE CREEK	98.0	43.2	94.3	40.0	3772.0	30.0	12	39.0	18.0	24.0	1800.0	3.60	94.3	12.0	851.8	0.75	0.0	0.0	6424.0	X	
020-0052	US 51 (NB)(FAP 322)	TEN MILE CREEK	191.2	43.2	187.8	40.0	7512.0	30.0	12	39.0	18.0	24.0	1800.0	3.60	187.8	12.0	1525.0	0.75	0.0	0.0	10837.0		X
020-0053	US 51 (SB)(FAP 322)	TEN MILE CREEK	191.2	43.2	187.8	40.0	7512.0	30.0	12	39.0	18.0	24.0	1800.0	3.60	187.8	12.0	1525.0	0.75	0.0	0.0	10837.0		X
020-0054	US 51 BUSN(FAP 708)	COON CREEK	95.3	43.2	91.6	40.0	3664.0	20.0	15	40.0	5.0	24.0	1440.0	3.60	91.6	15.0	875.5	0.75	0.0	0.0	5980.0		X
020-0055	US 51 (SB)(FAP 322)	COON CREEK	243.0	43.2	239.2	40.0	9568.0	30.0	12	39.0	18.0	24.0	1800.0	3.60	239.2	12.0	1895.0	0.75	0.0	0.0	13264.0	X	
020-0056	US 51 (NB)(FAP 322)	COON CREEK	243.0	43.2	239.2	40.0	9568.0	30.0	12	39.0	18.0	24.0	1800.0	3.60	239.2	12.0	1895.0	0.75	0.0	0.0	13264.0	X	
020-0057	US 51 (NB)(FAP 322)	SALT CREEK	300.0	43.2	296.5	40.0	11860.0	30.0	12	39.0	18.0	24.0	1800.0	3.60	296.5	12.0	2307.6	0.75	12.0	36.0	16004.0	X	
020-0061	IL 10 (FAP 717)	CREEK	53.0	35.2	53.0	32.0	1696.0	30.0	30	32.0	0.0	32.0	1920.0	3.60	53.0	30.0	813.6	0.75	30.0	90.0	4520.0	X	
020-0062	IL 10 (FAP 721)	SALT CREEK	188.0	35.2	188.0	32.0	6016.0	30.0	0	32.0	30.0	32.8	1968.0	3.60	188.0	0.0	1353.6	0.75	30.0	90.0	9428.0	X	
020-0063	IL 10 (FAP 717)	CREEK	160.0	35.2	160.0	32.0	5120.0	30.0	0	32.0	30.0	32.8	1968.0	3.60	160.0	0.0	1152.0	0.75	30.0	90.0	8331.0		X
020-2006	US 51 (NB)(FAP 322)	TEN MILE CREEK	53.0	41.5	52.0	40.0	2080.0	30.0	12	40.0	18.0	24.0	1824.0	2.10	52.0	0.0	218.4	0.75	18.0	54.0	4177.0	X	
020-2010	IL 10 (FAP 721)	FRIENDS CREEK DITCH	25.0	34.7	25.0	32.0	800.0	30.0	30	32.0	0.0	24.0	1920.0	2.10	25.0	0.0	105.0	0.75	30.0	90.0	2915.0	X	
020-2014	IL 54 (FAP 71)	COON CREEK	42.8	40.0	42.8	37.0	1583.6	30.0	30	37.0	0.0	24.0	2220.0	2.25	42.8	0.0	192.6	0.83	30.0	99.6	4096.0	X	
TOTALS (SQ FT)																				168,194	132,209	35,985	

MODEL: \\MODELNAME
FILE: \\NAME: \\PROJECTS\0570C72\CADD\DATA\Hydraulics\0570C72-rhs-schedule.dgn

USER NAME = brandenburgj	DESIGNED - TJB	REVISED -
	DRAWN -	REVISED -
PLOT SCALE = 40.0000 ' / in.	CHECKED -	REVISED -
PLOT DATE = 9/23/2017	DATE - 9/22/2017	REVISED -

**STATE OF ILLINOIS
DEPARTMENT OF TRANSPORTATION**

DEWITT COUNTY SCHEDULE OF QUANTITIES

SCALE: SHEET 3 OF 8 SHEETS STA. TO STA.

F.A. RTE.	SECTION	COUNTY	TOTAL SHEETS	SHEET NO.
VAR.	FY18 BRIDGE DECK SEALING	VARIOUS	18	13
			CONTRACT NO. 70C72	
		ILLINOIS	FED. AID PROJECT	

DEWITT COUNTY STRUCTURES SCHEDULE OF QUANTITIES

SN	ROUTE CARRIED	FEATURE CROSSED	TRAFFIC CONTROL & PROTECTION					PROSECUTION & PROGRESS		RURAL	URBAN			
			STANDARD 701400	STANDARD 701406	STANDARD 701411 (DL ONLY)	STANDARD 701446	STANDARD 701201	LOCATION	SUMMARY			CHANGEABLE MESSAGE SIGN (Calendar Days)	WORKING DAYS	PROSECUTION
020-0005	US 51 (SB)(FAP 322)	SALT CREEK	INCL.	INCL.				DE6	COMBINED	SEE BELOW	INCLUDED	INCLUDED	X	
020-0020	IL 54 (FAP 71)	SALT CREEK					2	DE4	2-701201;1WD;1SN	N.A.	1	1 DAY	X	
020-0048	US 51 (SB)(FAP 322)	LONG POINT CREEK	2	2				DE7	4-701400; 4-701406	INCLUDED BELOW	2	1 DAY DL; NB&SB	X	
020-0049	US 51 (NB)(FAP 322)	LONG POINT CREEK	2	2			2 WD'S; 2 SN'S		1 DAY PL; NB&SB			X		
020-0050	US 51 (SB)(FAP 322)	TEN MILE CREEK	1	1				DE6	4 - 701400	2-CMS (NB&SB) 8 CD'S TOTAL	4		X	
020-0051	US 51 (NB)(FAP 322)	TEN MILE CREEK	1	1			4 - 701406		2 DAY DL; NB&SB			X		
020-0052	US 51 (NB)(FAP 322)	TEN MILE CREEK	1	1			4 WD'S		2 DAY PL; NB&SB				X	
020-0053	US 51 (SB)(FAP 322)	TEN MILE CREEK	1	1			9 STRUCTURES						X	
020-0054	US 51 BUSN(FAP 708)	COON CREEK					2	DE3	2-701201;1WD;1SN	N.A.	1	1 DAY		X
020-0055	US 51 (SB)(FAP 322)	COON CREEK	INCL.	INCL.				DE6	COMBINED	SEE ABOVE	INCLUDED	INCLUDED	X	
020-0056	US 51 (NB)(FAP 322)	COON CREEK	INCL.	INCL.			X							
020-0057	US 51 (NB)(FAP 322)	SALT CREEK	INCL.	INCL.			X							
020-0061	IL 10 (FAP 717)	CREEK					2	DE5	2-701201;1WD;1SN	N.A.	1	1 DAY	X	
020-0062	IL 10 (FAP 721)	SALT CREEK					2	DE2	2-701201;1WD;1SN	N.A.	1	1 DAY	X	
020-0063	IL 10 (FAP 717)	CREEK					2	DE5	2-701201;1WD;1SN	N.A.	1	1 DAY		X
020-2006	US 51 (NB)(FAP 322)	TEN MILE CREEK	INCL.	INCL.				DE6	COMBINED	SEE ABOVE	INCLUDED	INCLUDED	X	
020-2010	IL 10 (FAP 721)	FRIENDS CREEK DITCH					2	DE1	2-701201;1WD;1SN	N.A.	1	1 DAY	X	
020-2014	IL 54 (FAP 71)	COON CREEK					2	DE8	2-701201;1WD;1SN	N.A.	1	1 DAY	X	
TC&P SET-UPS & CMS CALENDAR DAYS			8	8			14			8	13			
WORKING DAYS PER STANDARD			6	6			7			USE AT RE'S DIRECTION				

MODEL: \\MODEL\NAME
FILE NAME: \\FILE\NAME
PROJECT: \\PROJECT\NAME
DRAWING: \\DRAWING\NAME
DATE: 9/23/2017

USER NAME = brandenburgj	DESIGNED - TJB	REVISED -
	DRAWN -	REVISED -
PLOT SCALE = 40.0000 ' / in.	CHECKED -	REVISED -
PLOT DATE = 9/23/2017	DATE - 9/22/2017	REVISED -

STATE OF ILLINOIS
DEPARTMENT OF TRANSPORTATION

DEWITT COUNTY SCHEDULE OF QUANTITIES

SCALE: SHEET 4 OF 8 SHEETS STA. TO STA.

F.A. RTE.	SECTION	COUNTY	TOTAL SHEETS	SHEET NO.
VAR.	FY18 BRIDGE DECK SEALING	VARIOUS	18	14
			CONTRACT NO. 70C72	
		ILLINOIS	FED. AID PROJECT	

MCLEAN COUNTY STRUCTURES SCHEDULE OF QUANTITIES

ACTUAL MEASUREMENTS

Table with columns: SN, ROUTE CARRIED, FEATURE CROSSED, SIMS INFORMATION (LENGTH, WIDTH), DECK (LENGTH, WIDTH, AREA), APPROACH SLABS (LENGTH, DIMENSIONS INSIDE/BEYOND PARAPET/CURB, AREA), PARAPETS (HUB, FACE & TOP) (HEIGHT, LENGTH, AREA), TYPE B CURB (FACE & TOP) (HEIGHT, LENGTH, AREA), TOTAL (SQ FT), RURAL, URBAN. Rows 057-0022 to 057-0205.

MODEL: \\MODELNAME
FILE NAME: P:\PROJECTS\0570C72\CADD\DATA\Hydraulic\0570C72-rhs-schedule.dgn

USER NAME = brandenburgtj
DESIGNED - TJB
REVISOR -
DRAWN -
REVISIONS -
PLOT SCALE = 40.0000 ' / in.
CHECKED -
REVISIONS -
PLOT DATE = 9/23/2017
DATE - 9/22/2017
REVISIONS -

STATE OF ILLINOIS
DEPARTMENT OF TRANSPORTATION

MCLEAN COUNTY SCHEDULE OF QUANTITIES

SCALE: SHEET 5 OF 8 SHEETS STA. TO STA.

F.A. RTE., SECTION, COUNTY, TOTAL SHEETS, SHEET NO., VAR., FY18 BRIDGE DECK SEALING, VARIOUS, 18, 15, CONTRACT NO. 70C72, ILLINOIS, FED. AID PROJECT

MCLEAN COUNTY STRUCTURES SCHEDULE OF QUANTITIES

ACTUAL MEASUREMENTS

SN	ROUTE CARRIED	FEATURE CROSSED	SIMS INFORMATION		DECK			APPROACH SLABS					PARAPETS (HUB, FACE & TOP)				TYPE B CURB (FACE & TOP)			TOTAL (SQ FT)	RURAL	URBAN	
			LENGTH	WIDTH	LENGTH (E-E)	WIDTH (F-F)	AREA (SQ FT)	LENGTH (FT)	DIMENSIONS INSIDE PARAPET / CURB		DIMENSIONS BEYOND PARAPET / CURB		AREA (SQ FT)	HEIGHT 3.6 FT TYPICAL	LENGTH (FT)		AREA (SQ FT)	HEIGHT 9 INCH TYPICAL	LENGTH ALONG APPR.				AREA (SQ FT)
									LENGTH	WIDTH	LENGTH	WIDTH			ALONG DECK	ALONG APPR.							
057-0206	I-39/US 51 SB	FAS 472 CH 12	169.8	43.1	167.5	40.0	6698.8	30.0	0	40.0	30.0	43.1	2586.0	3.60	167.5	0.0	1205.8	1.00	30.0	120.0	10611.0	X	
057-0208	I-39/US 51 SB	SIX MILE CREEK	149.8	43.1	147.5	40.0	5898.8	30.0	30	40.0	0.0	43.1	2400.0	3.60	147.5	0.0	1061.8	1.00	0.0	0.0	9361.0	X	
057-0209	I-39/US 51 NB	SIX MILE CREEK	149.8	43.1	147.5	40.0	5898.8	30.0	30	40.0	0.0	43.1	2400.0	3.60	147.5	0.0	1061.8	1.00	0.0	0.0	9361.0	X	
057-0210	I-39/US 51 SB	TRIB SIX MILE CREEK	70.6	43.1	68.3	40.0	2730.8	30.0	30	40.0	0.0	43.1	2400.0	3.60	68.3	0.0	491.5	1.00	30.0	120.0	5743.0	X	
057-0211	I-39/US 51 NB	TRIB SIX MILE CREEK	70.6	43.1	68.3	40.0	2730.8	30.0	30	40.0	0.0	43.1	2400.0	3.60	68.3	0.0	491.5	1.00	30.0	120.0	5743.0	X	
057-0214	I-39 RAMP 816 SB	I-55& CD#2284/2287	272.9	29.3	270.6	26.0	7034.8	30.0	12	26.0	18.0	29.3	1678.8	3.60	270.6	0.0	1948.1	1.00	12.0	48.0	10710.0		X
057-0215	I-39 NB	I-55 & CD#2284/2287	274.7	43.3	272.4	40.0	10894.8	30.0	12	40.0	18.0	43.3	2518.8	3.60	272.4	0.0	1961.1	1.00	12.0	48.0	15423.0		X
057-0216	I-39 SB	NORTHTOWN RD TR 201B	154.6	62.0	152.3	61.5	9364.6	30.0	12	61.5	18.0	64.7	3805.2	3.60	152.3	0.0	1096.3	1.00	12.0	48.0	14315.0		X
057-0217	I-39 NB	NORTHTOWN RD TR 201B	154.0	43.1	151.7	40.0	6066.8	30.0	12	40.0	18.0	43.1	2511.6	3.60	151.7	0.0	1092.0	1.00	12.0	48.0	9719.0		X
057-0225	SBI-2 (OLD 51)	DITCH	43.1	35.1	42.9	32.0	1372.8	20.0	0	32.0	20.0	33.2	1328.0	3.60	42.9	0.0	308.9	0.75	20.0	60.0	3070.0	X	
057-0226	US 51	MACKINAW RIVER	433.7	35.2	428.8	32.0	13721.6	20.0	12	32.0	8.0	35.2	1331.2	3.60	428.8	12.0	3260.2	0.75	0.0	0.0	18313.0	X	
057-0228	I-55 BUSN LP NB & SB	SUGAR CR & BIKE PATH	183.1	132.7	178.8	129.4	23136.7	30.0	12	129.4	18.0	132.7	7882.8	3.60	178.8	12.0	1460.2	0.75	18.0	54.0	32534.0		X
057-0230	US 24/ FAP 317	ROOKS CREEK	157.5	43.1	151.8	40.0	6072.0	30.0	12	40.0	18.0	41.2	2443.2	3.60	151.8	12.0	1265.8	0.75	18.0	54.0	9835.0	X	
057-0235	I-55 NB	FAU 6405/LINDEN	151.5	65.0	151.5	61.8	9362.7	30.0	30	61.8	0.0	65.0	3708.0	3.60	151.5	30.0	1522.8	0.75	30.0	90.0	14684.0		X
057-0236	I-55 SB	FAU 6405/LINDEN	151.5	65.0	151.5	61.8	9362.7	30.0	30	61.8	0.0	65.0	3708.0	3.60	151.5	30.0	1522.8	0.75	30.0	90.0	14684.0		X
057-0237	I-55 NB	FAP 704	213.7	72.8	211.4	69.6	14711.4	30.0	12	69.6	18.0	70.8	4219.2	3.60	211.4	12.0	1694.7	0.75	18.0	54.0	20680.0		X
057-0238	I-55 SB	FAP 704	215.3	64.9	213.0	61.7	13140.2	30.0	12	61.7	18.0	62.9	3745.2	3.60	213.0	12.0	1706.2	0.75	18.0	54.0	18646.0		X
057-0239	FAU 6348/OLD RT66	MONEY CREEK	124.7	33.8	124.7	31.5	3928.1	30.0	0	31.5	30.0	31.5	1890.0	3.60	124.7	0.0	897.8	0.75	30.0	90.0	6806.0	X	
057-0244	US 136	KICKAPOO CREEK	310.0	39.2	310.0	36.0	11160.0	30.0	15	36.0	15.0	37.8	2214.0	3.60	310.0	15.0	2448.0	0.75	15.0	45.0	15867.0	X	
057-0245	US 136	PRAIRIE CREEK	157.0	39.2	157.0	36.0	5652.0	30.0	15	36.0	15.0	37.8	2214.0	3.60	157.0	15.0	1346.4	0.75	15.0	45.0	9258.0	X	
057-0255	FAS 294/OLD 66A	TURKEY CREEK	78.0	35.2	78.0	32.0	2496.0	30.0	15	32.0	15.0	33.0	1950.0	6.00	78.0	15.0	1296.0	0.75	15.0	45.0	5787.0	X	
TOTALS (SQ FT)																				790,636	469,034	321,602	

MODEL: \\MODELNAME
 FILE NAME: \\FILENAME
 PROJECT: \\PROJECT
 OFFICE: \\OFFICE
 DATE: 9/23/2017

USER NAME = brandenburgtj	DESIGNED - TJB	REVISED -
	DRAWN -	REVISED -
PLOT SCALE = 40,0000 ' / in.	CHECKED -	REVISED -
PLOT DATE = 9/23/2017	DATE - 9/22/2017	REVISED -

**STATE OF ILLINOIS
DEPARTMENT OF TRANSPORTATION**

MCLEAN COUNTY SCHEDULE OF QUANTITIES

SCALE: SHEET 6 OF 8 SHEETS STA. TO STA.

F.A. RTE.	SECTION	COUNTY	TOTAL SHEETS	SHEET NO.
VAR.	FY18 BRIDGE DECK SEALING	VARIOUS	18	16
CONTRACT NO. 70C72				
		ILLINOIS	FED. AID PROJECT	

MCLEAN COUNTY STRUCTURES SCHEDULE OF QUANTITIES																	
			TRAFFIC CONTROL & PROTECTION						PROSECUTION & PROGRESS		RURAL	URBAN					
SN	ROUTE CARRIED	FEATURE CROSSED	STANDARD 701400	STANDARD 701406	STANDARD 701411 (DL ONLY)	STANDARD 701446	STANDARD 701201	LOCATION	SUMMARY	CHANGEABLE MESSAGE SIGN (Calendar Days)			WORKING DAYS	PROSECUTION			
057-0022	I-55 NW BLOOMINGTON	I-74	1		2	1		M7	4 - 701400	4	4	NIGHTIME		X			
057-0023	I-55 NW BLOOMINGTON	I-74	1		2	1	4 - 701446										X
057-0024	I-55 NB & CD#2284	US 51B N NORMAL	1		2	1	8 - 701411										X
057-0025	I-55 SB & CD#2287	US 51B N NORMAL	1		2	1	4 WD'S; 8 SN'S										X
057-0035	FAS 294/OLD 66A NB	MACKINAW RIVER					2	M12	2-701201;1WD;1SN	N.A.	1	1 DAY	X				
057-0063	I-55 BUSN LOOP	US 51 AT BLOOMINGTON	2	2	2			M5	4-701400; 4-701406	2	2	NIGHTIME		X			
057-0064	I-55 BUSN LOOP	CON-RAIL CORP. RR	2	2	1		3-701411; 2WD; 2SN										X
057-0069	I-55 BUSN LOOP	OLD RT 66/ICG RR	4			4		M6	4-400;4-446;4WD;2SN	4	4	NIGHTIME		X			
057-0152	I-55 SB	US 24/FAP 317	2	2	1			M13	4-701400; 4-701406		2	1 DAY DL; NB&SB	X				
057-0153	I-55 NB	US 24/FAP 317	2	2	2		3-701411; 2WD; 4SN							1 DAY PL; NB&SB	X		
057-0154	I-55 SB	US 136/FAP 315	2	2	1			M3	4-701400; 4-701406		2	1 DAY DL; NB&SB	X				
057-0155	I-55 NB	US 136/FAP 315	2	2	1		2-701411; 2WD; 2SN							1 DAY PL; NB&SB	X		
057-0157	I-55 SB	RAMPS & CH36	1	1				M4	4 - 701400		2		X				
057-0158	I-55 NB	RAMPS & CH36	1	1	2		4 - 701406							1 DAY DL; NB&SB	X		
057-0159	I-55 SB	TIMBER CR	1	1			2 - 701411							1 DAY PL; NB&SB	X		
057-0160	I-55 NB	TIMBER CR	1	1			2 WD'S; 4 SN'S								X		
057-0163	I-55 SB	MONEY CREEK	2	2				M8	4-701400; 4-701406		2	1 DAY DL; NB&SB	X				
057-0164	I-55 NB	MONEY CREEK	2	2			2WD'S; 2SN'S							1 DAY PL; NB&SB	X		
057-0167	I-55 SB	MACKINAW RIVER	1	1				M10			2		X				
057-0168	I-55 NB	MACKINAW RIVER	1	1			4 - 701400							1 DAY DL; NB&SB	X		
057-0169	I-55 SB	TURKEY CREEK	1	1			4 - 701406							1 DAY PL; NB&SB	X		
057-0170	I-55 NB	TURKEY CREEK	1	1			2 WD'S; 4 SN'S								X		
057-0173	I-55 SB	TURKEY CREEK						M11	INCLUDED WITH 057-0182 & 0183		INCLUDED	INCLUDED	X				
057-0174	I-55 NB	TURKEY CREEK	INCL.	INCL.												X	
057-0178	I-55 SB	A.T. & S.F. RR						M13	INCLUDED WITH 057-0152 & 0153		INCLUDED	INCLUDED	X				
057-0179	I-55 NB	A.T. & S.F. RR	INCL.	INCL.	INCL.											X	
057-0182	I-55 SB	TURKEY CREEK	2	2				M11	4-701400; 4-701406		2	1 DAY DL; NB&SB	X				
057-0183	I-55 NB	TURKEY CREEK	2	2			2WD'S; 4SN'S							1 DAY PL; NB&SB	X		
057-0196	US 51 SB	KICKAPOO CREEK	1	1				M1	4 - 701400		2		X				
057-0197	US 51 NB	KICKAPOO CREEK	1	1	1		4 - 701406							1 DAY DL; NB&SB	X		
057-0198	FAP 412 US 51(SB)	US 136	1	1	1		3 - 701411							1 DAY PL; NB&SB	X		
057-0199	FAP 412 US 51(NB)	US 136	1	1	1		2 WD'S; 4 SN'S								X		
057-0203	I-39/US 51	MACKINAW RIVER	4	4				M15	4-400;4-406;2WD;1SN		2	1DL; 1PL; NB&SB	X				

MODEL: \\MODELNAME
 FILE NAME: \\FILENAME
 PROJECT: \\PROJECT
 OFFICE: \\OFFICE
 DATE: \\DATE

USER NAME = brandenburgj	DESIGNED - TJB	REVISED -
	DRAWN -	REVISED -
PLOT SCALE = 40,0000 ' / in.	CHECKED -	REVISED -
PLOT DATE = 9/23/2017	DATE - 9/22/2017	REVISED -

**STATE OF ILLINOIS
DEPARTMENT OF TRANSPORTATION**

MCLEAN COUNTY SCHEDULE OF QUANTITIES

SCALE: SHEET 7 OF 8 SHEETS STA. TO STA.

F.A. RTE.	SECTION	COUNTY	TOTAL SHEETS	SHEET NO.
VAR.	FY18 BRIDGE DECK SEALING	VARIOUS	18	17
			CONTRACT NO. 70C72	
		ILLINOIS	FED. AID PROJECT	

MCLEAN COUNTY STRUCTURES SCHEDULE OF QUANTITIES

SN	ROUTE CARRIED	FEATURE CROSSED	TRAFFIC CONTROL & PROTECTION					PROSECUTION & PROGRESS				RURAL	URBAN	
			STANDARD 701400	STANDARD 701406	STANDARD 701411 (DL ONLY)	STANDARD 701446	STANDARD 701201	LOCATION	SUMMARY	CHANGEABLE MESSAGE SIGN (Calendar Days)	WORKING DAYS			PROSECUTION
057-0205	I-39/US 51 NB	FAS 472 CH 12	INCL.	INCL.	1								X	
057-0206	I-39/US 51 SB	FAS 472 CH 12	INCL.	INCL.	2								X	
057-0208	I-39/US 51 SB	SIX MILE CREEK	1	1									X	
057-0209	I-39/US 51 NB	SIX MILE CREEK	1	1									X	
057-0210	I-39/US 51 SB	TRIB SIX MILE CREEK	1	1									X	
057-0211	I-39/US 51 NB	TRIB SIX MILE CREEK	1	1									X	
057-0214	I-39 RAMP 816 SB	I-55 & CD#2284/2287	1	1										X
057-0215	I-39 NB	I-55 & CD#2284/2287	1	1										X
057-0216	I-39 SB	NORTHTOWN RD TR 201B	1	1										X
057-0217	I-39 NB	NORTHTOWN RD TR 201B	1	1										X
057-0225	SBI-2 (OLD 51)	DITCH						2	M2	2-701201;1WD;2SN	N.A.	1	1 DAY	X
057-0226	US 51	MACKINAW RIVER						2	M16	2-701201;1WD;1SN	N.A.	1	1 DAY	X
057-0228	I-55 BUSN LP NB & SB	SUGAR CR & BIKE PATH	INCL.						M6	SEE SN 057-0069	INCLUDED	INCLUDED	NIGHTIME	
057-0230	US 24/ FAP 317	ROOKS CREEK						2	M14	2-701201;1WD;1SN	N.A.	1	1 DAY	X
057-0235	I-55 NB	FAU 6405/LINDEN	INCL.		INCL.	INCL.			M7	INCLUDED WITH 057-0022 THRU 0025	INCLUDED	INCLUDED	NIGHTIME	
057-0236	I-55 SB	FAU 6405/LINDEN												
057-0237	I-55 NB	FAP 704												
057-0238	I-55 SB	FAP 704												
057-0239	FAU 6348/OLD RT66	MONEY CREEK						2	M9	2-701201;1WD;1SN	N.A.	1	1 DAY	X
057-0244	US 136	KICKAPOO CREEK						2	M19	4-701201;1WD;2SN	N.A.	1	1 DAY	X
057-0245	US 136	PRAIRIE CREEK					2	X						
057-0255	FAS 294/OLD 66A	TURKEY CREEK						2	M12	2-701201;1WD;1SN	N.A.	INCLUDED	INCLUDED	X
TC&P SET-UPS & CMS CALENDAR DAYS			52	44	24	8	16				10	38		
WORKING DAYS PER STANDARD			32	24	18	8	6				USE AT RE'S DIRECTION			

MODEL: \\MODELNAME
 FILE NAME: \\FILENAME
 PROJECT: \\PROJECT
 OFFICE: \\OFFICE
 DATE: 9/23/2017

USER NAME = brandenburgtj	DESIGNED - TJB	REVISED -
	DRAWN -	REVISED -
PLOT SCALE = 40,0000 ' / in.	CHECKED -	REVISED -
PLOT DATE = 9/23/2017	DATE - 9/22/2017	REVISED -

STATE OF ILLINOIS
DEPARTMENT OF TRANSPORTATION

MCLEAN COUNTY SCHEDULE OF QUANTITIES

SCALE: SHEET 8 OF 8 SHEETS STA. TO STA.

F.A. RTE.	SECTION	COUNTY	TOTAL SHEETS	SHEET NO.
VAR.	FY18 BRIDGE DECK SEALING	VARIOUS	18	18
CONTRACT NO. 70C72				
ILLINOIS FED. AID PROJECT				