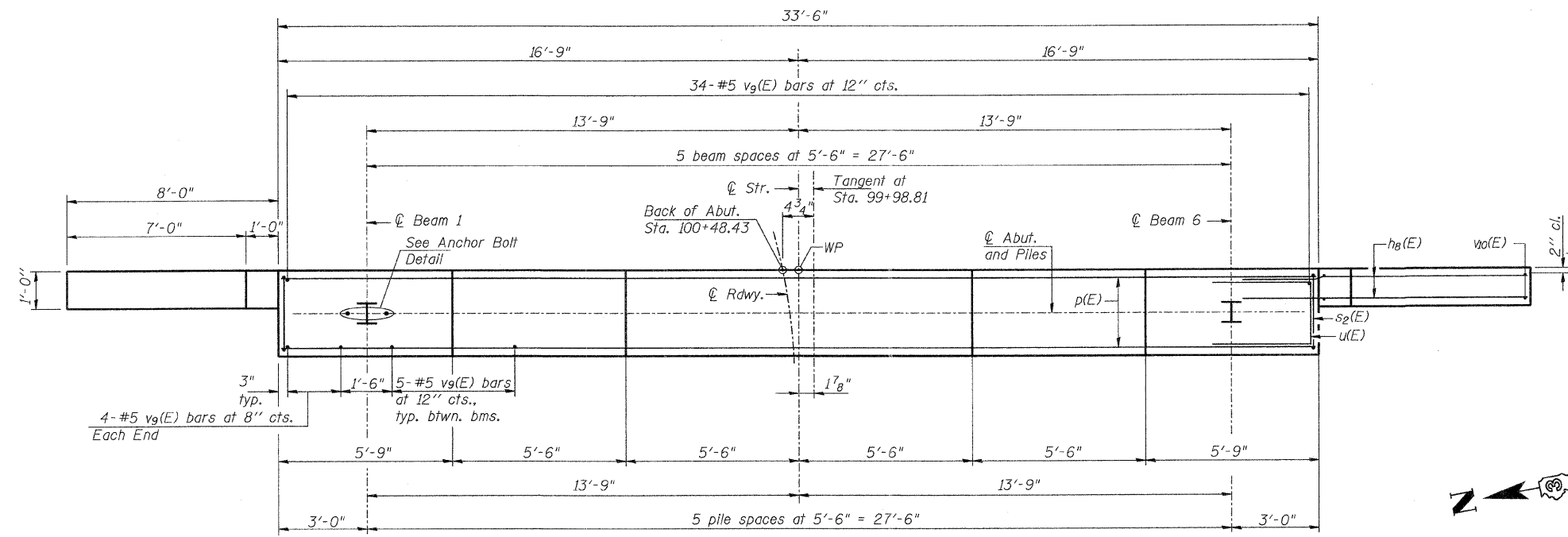
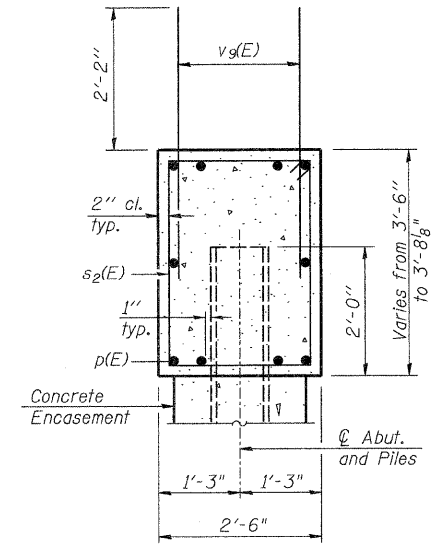
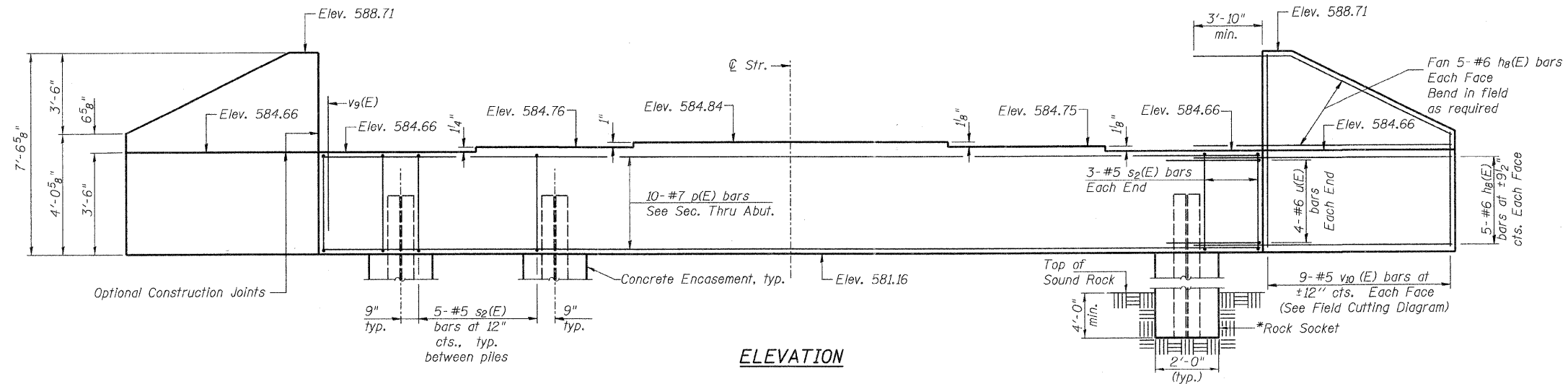


Notes:
 Pour steps monolithically with cap.
 All edges shall have standard $\frac{3}{4}$ " chamfer.

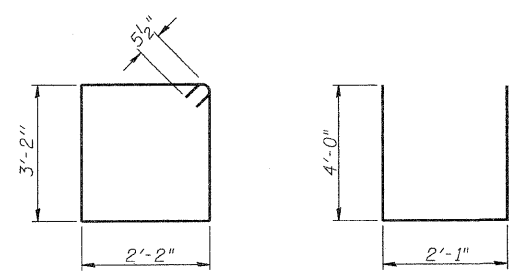
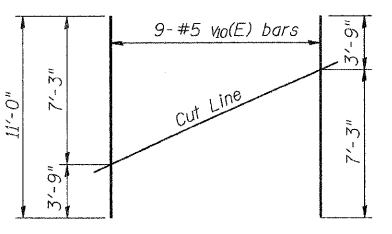
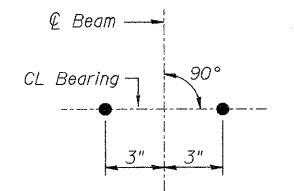


BILL OF MATERIAL

Bar	No.	Size	Length	Shape
h _g (E)	40	#6	11'-10"	—
p(E)	10	#7	33'-3"	—
s ₂ (E)	31	#5	11'-7"	□
u(E)	8	#6	10'-1"	□
v _g (E)	67	#5	4'-4"	—
v _g (E)	18	#5	11'-0"	—
Structure Excavation	CU YD		90	
Concrete Structures	CU YD		14.7	
Reinforcement Bars, Epoxy Coated	POUND		2,400	
Furnishing Steel Piles, HP 12x53	FOOT		102	
Setting Piles in Rock	EACH		6	
Concrete Encasement	CU YD		7.3	

PILE DATA

Type: Steel HP12x53
 Nominal Required Bearing: 419 kips (Set in Rock)
 Factored Resistance Available: 230 kips
 Est. Length: 17'
 No. Req'd.: 6



DESIGNED	CTM
CHECKED	BAN
DRAWN	CTM/TAC
CHECKED	BAN

FIELD CUTTING DIAGRAM
 Order v_g(E) full length. Cut as shown and use remainder of bars in opposite face.

**EAST ABUTMENT
 RIVER RD. (F.A.U. 3799) OVER
 BLACKBERRY CREEK
 SECTION 08-00036-00-BR
 KENDALL COUNTY
 STATION 99+98.81**

SHEET NO. 21 23 SHEETS	ROUTE NO.	SECTION	COUNTY	TOTAL SHEETS	SHEET NO.
	FAU 3799	08-00036-00-BR	KENDALL	54	42
	SN 047-6500		CONTRACT NO. 87509		
FED. ROAD DIST. NO. 7 ILLINOIS			FED. AID PROJECT BRM-9003(883)		