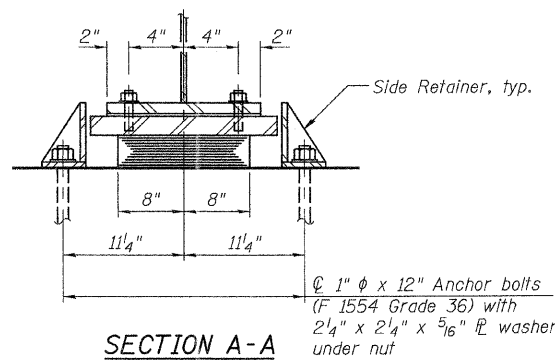


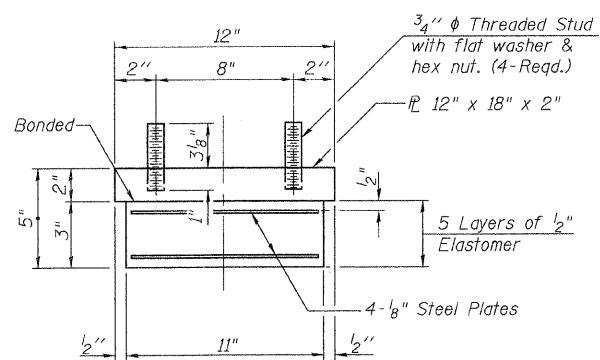
ELEVATION AT WEST ABUTMENT



SECTION A-A

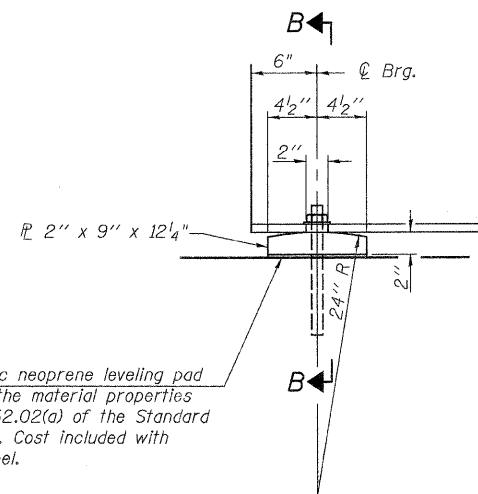
TYPE I ELASTOMERIC EXP. BRG.

Notes:
 Anchor bolts shall be ASTM F1554 all-thread (or an Engineer-approved alternate material) of the grade(s) and diameter(s) specified. ASTM A307 Grade C anchor bolts may be used in lieu of ASTM F1554 Grade 36 (Fy=36ksi). The corresponding specified grade of AASHTO M314 anchor bolts may be used in lieu of ASTM F1554.
 Anchor bolts at fixed bearings may be either cast in place or installed in holes drilled after the supported member is in place.
 Anchor bolts for side retainers may be cast in place or installed in holes drilled before or after members are in place.
 Drilled and set anchor bolts shall be installed according to Article 521.06 of the Standard Specifications.
 Side retainers and other steel members required for the elastomeric bearing assembly shall be included in the cost of Elastomeric Bearing Assembly, Type I.
 The structural steel plates of the Bearing Assembly and the fixed bearing shall conform to the requirements of AASHTO M270, Grade 50W.



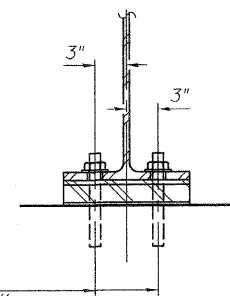
BEARING ASSEMBLY

Note:
 Shim plates shall not be placed under Bearing Assembly.



ELEVATION AT EAST ABUTMENT

1/8" elastomeric neoprene leveling pad according to the material properties of Article 1052.02(a) of the Standard Specifications. Cost included with Structural Steel.

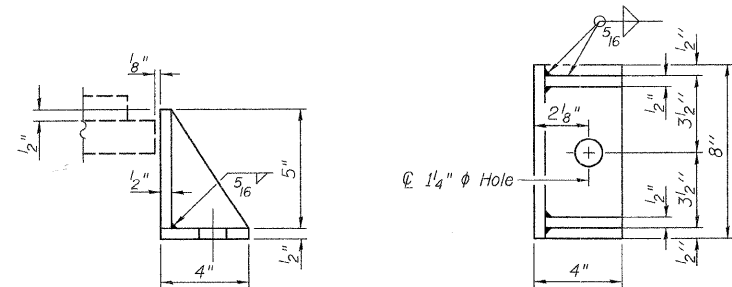


SECTION B-B

FIXED BEARING

BILL OF MATERIAL

Item	Unit	Total
Elastomeric Bearing Assembly Type I	Each	6
Anchor Bolts, 1"	Each	24



SIDE RETAINER

Equivalent rolled angle with stiffeners will be allowed in lieu of welded plates.

DESIGNED	NPH
CHECKED	BAN
DRAWN	RMD
CHECKED	BAN

BEARING DETAILS
 RIVER RD. (F.A.U. 3799) OVER
 BLACKBERRY CREEK
 SECTION 08-00036-00-BR
 KENDALL COUNTY
 STATION 99+98.81

SHEET NO. 17 23 SHEETS	ROUTE NO.	SECTION	COUNTY	TOTAL SHEETS	SHEET NO.
	FAU 3799	08-00036-00-BR	KENDALL	54	38
	SN 047-6500		CONTRACT NO. 87509		
FED. ROAD DIST. NO. 7 ILLINOIS			FED. AID PROJECT BRM-9003(883)		