

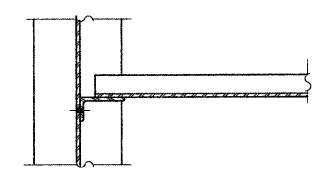
****** TOP OF BEAM ELEVATIONS**

LOCATION	Beam 1	Beam 2	Beam 3	Beam 4	Beam 5	Beam 6
W. Abut.	587.43	587.52	587.61	587.60	587.52	587.42
E. Abut.	587.90	588.00	588.08	588.08	587.99	587.90

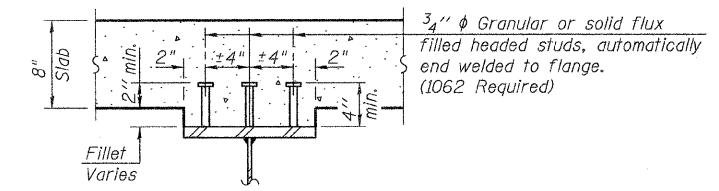
****For fabrication only.

Note:
 All beams are W36x210 AASHTO M270 Gr. 50W NTR.
 Load carrying components designated "NTR" shall conform to the Supplemental Requirements of Notch Toughness, Zone 2.

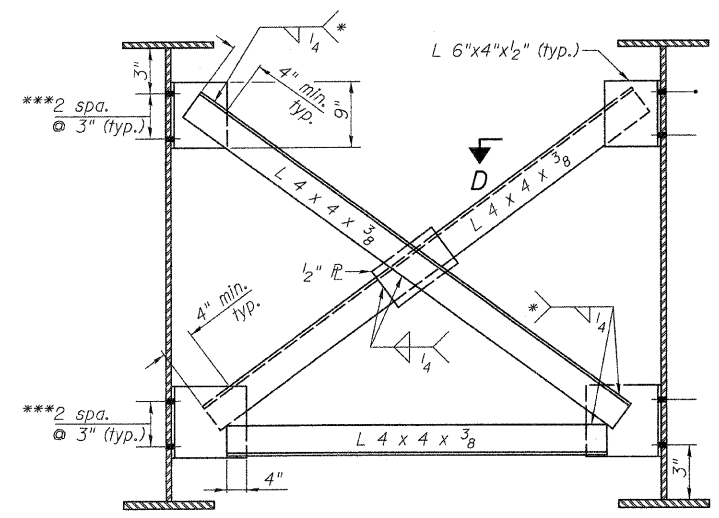
FRAMING PLAN



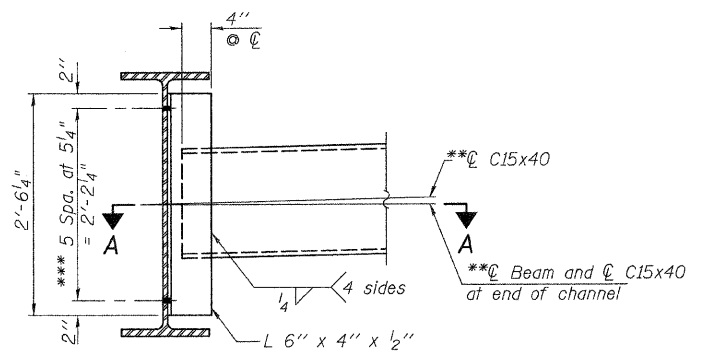
SECTION A-A



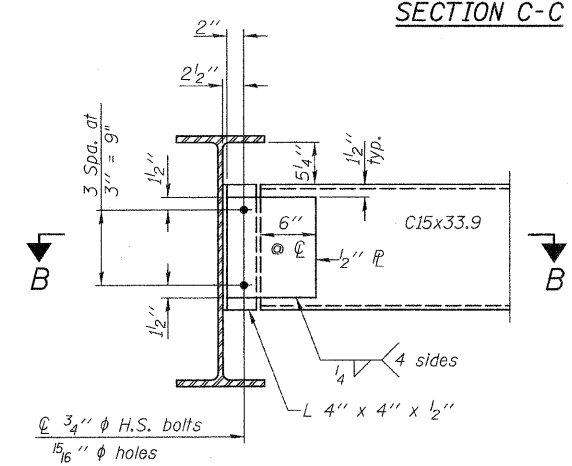
SECTION C-C



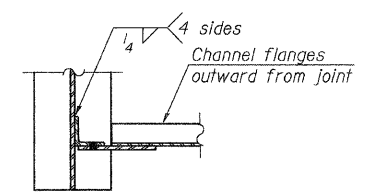
CROSS FRAME CF₁
(2 req'd)



INTERIOR DIAPHRAGM D₁
(20 req'd)



END DIAPHRAGM D₂
(5 req'd)



SECTION B-B

Notes:
 Two hardened washers required for each set of oversized holes.
 * Fillet weld angles along 3 sides on one face of bolted angle.
 *** 3/4" φ HS bolts, 15/16" φ Holes

Note:
 Two hardened washers required for each set of oversized holes.
 **Alternate channels are permitted to facilitate material acquisition. Calculated weight of structural steel is based on the lighter section.
 The alternate, C15x50 if utilized, shall be provided at no additional cost to the City.
 ***3/4" φ HS bolts, 15/16" φ holes

Note:
 Two hardened washers required for each set of oversized holes.

**FRAMING PLAN AND STRUCTURAL STEEL
 RIVER RD. (F.A.U. 3799) OVER
 BLACKBERRY CREEK
 SECTION 08-00036-00-BR
 KENDALL COUNTY
 STATION 99+98.81**

DESIGNED	NPH
CHECKED	BAN
DRAWN	NPH/RMD
CHECKED	BAN

SHEET NO. 15	ROUTE NO.	SECTION	COUNTY	TOTAL SHEETS	SHEET NO.
	FAU 3799	08-00036-00-BR	KENDALL	54	36
23 SHEETS	SN 047-6500		CONTRACT NO. 87509		
	FED. ROAD DIST. NO. 7 ILLINOIS		FED. AID PROJECT BRM-9003(883)		