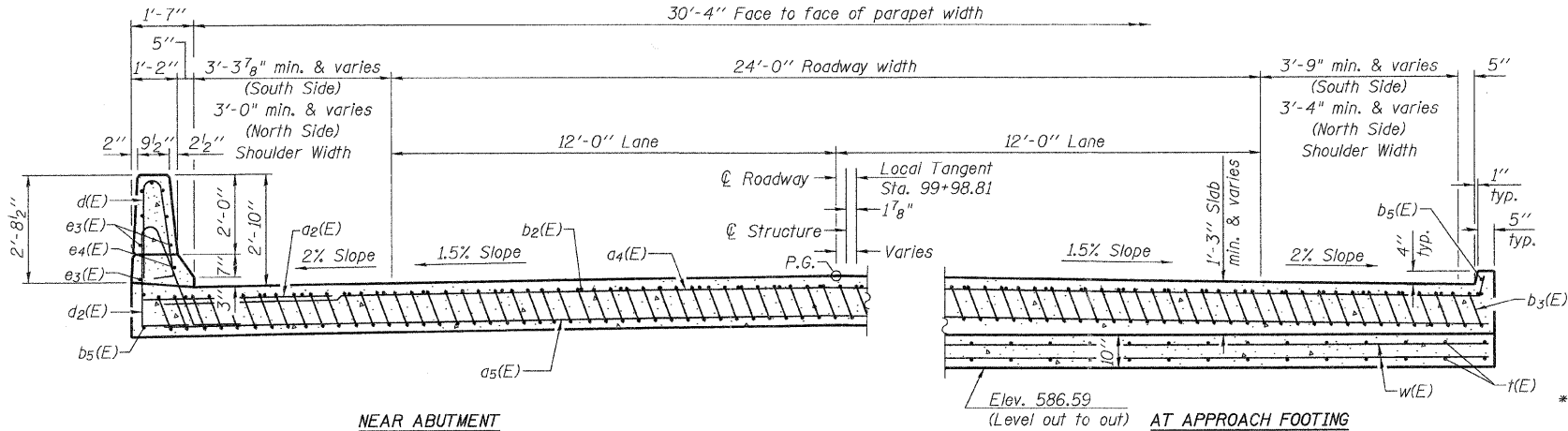
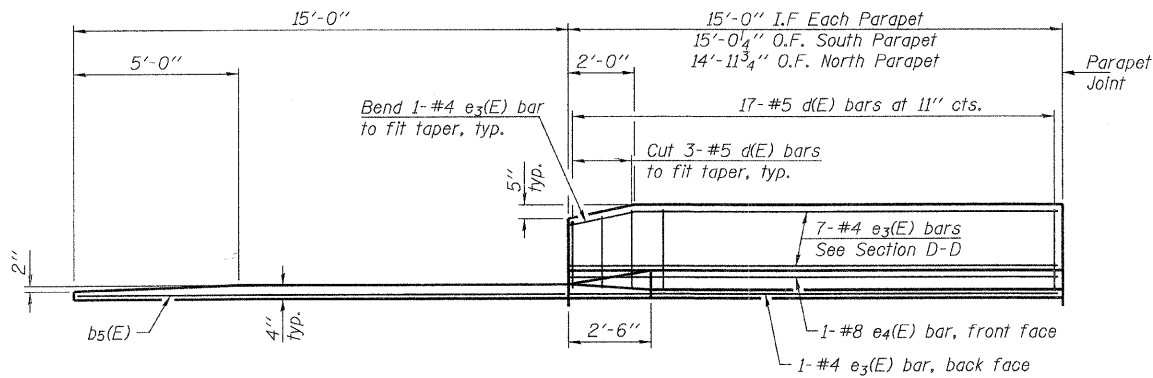


SECTION C-C

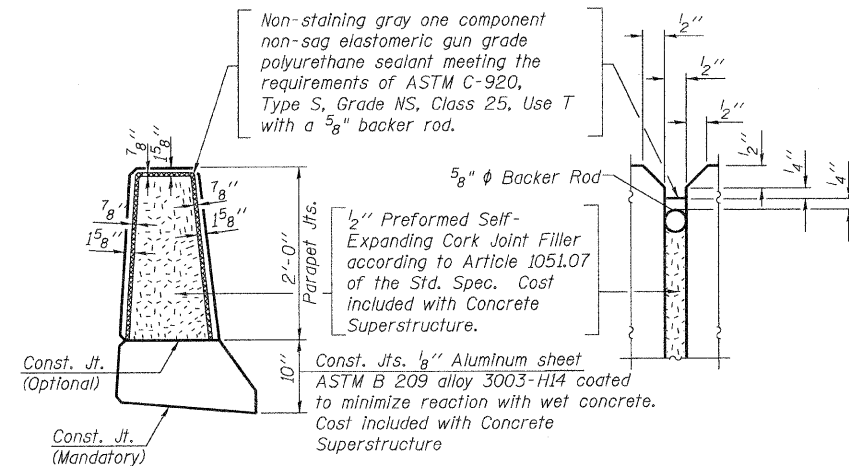


SECTION D-D

(See Plan for dimensions not shown)

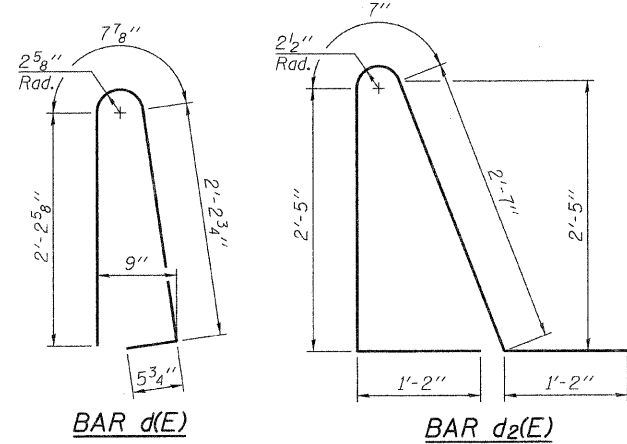


VIEW E-E



PARAPET JOINT DETAIL

Notes:  
 See sheet 12 of 23 for Detail A.  
 Approach slab and parapet concrete shall be paid for as Concrete Superstructure.  
 Approach footing concrete shall be paid for as Concrete Structures.  
 Reinforcement shall be paid for as Reinforcement Bars, Epoxy Coated.  
 See sheet 8 of 23 for v(E) bar details.  
 The approach footing maximum applied service bearing pressure (Qmax) = 2.0 ksf.  
 See sheet 22 of 23 for bar splicer details.  
 Cost of excavation for approach footing included with Concrete Structures.  
 See sheet 2 of 23 for Porous Granular Embankment (Special) and drainage treatment details.  
 See sheet 8 of 23 for additional parapet details.



BAR d(E)

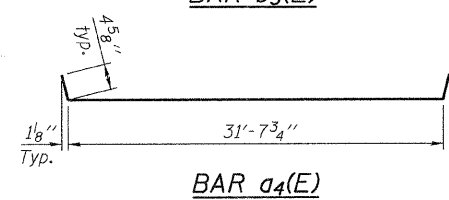
BAR d2(E)

EAST APPROACH  
 BILL OF MATERIAL

Bar	No.	Size	Length	Shape
a2(E)	24	#6	6'-6"	—
a4(E)	25	#4	32'-5"	—
a5(E)	46	#5	31'-10"	—
b2(E)	26	#4	29'-8"	—
b3(E)	77	#9	29'-9"	—
b5(E)	4	#4	14'-8"	—
d(E)	34	#5	5'-7"	U
d2(E)	34	#5	7'-11"	U
e3(E)	16	#4	14'-8"	—
e4(E)	2	#8	14'-8"	—
f(E)	33	#4	9'-8"	—
w(E)	40	#5	31'-10"	—
Concrete Superstructure		Cu. Yd.	50.9	
Concrete Structures		Cu. Yd.	9.9	
Reinforcement Bars, Epoxy Coated		Pound	12,900	

EAST BRIDGE APPROACH SLAB DETAILS  
 RIVER RD. (F.A.U. 3799) OVER  
 BLACKBERRY CREEK  
 SECTION 08-00036-00-BR  
 KENDALL COUNTY  
 STATION 99+98.81

DESIGNED	NPH
CHECKED	BAN
DRAWN	RMD
CHECKED	BAN



BAR b3(E)

BAR a4(E)

SHEET NO. 13	ROUTE NO.	SECTION	COUNTY	TOTAL SHEETS	SHEET NO.
	FAU 3799	08-00036-00-BR	KENDALL	54	34
23 SHEETS	SN 047-6500		CONTRACT NO. 87509		
	FED. ROAD DIST. NO. 7 ILLINOIS		FED. AID PROJECT BRM-9003(883)		