

INSIDE ELEVATION OF PARAPET

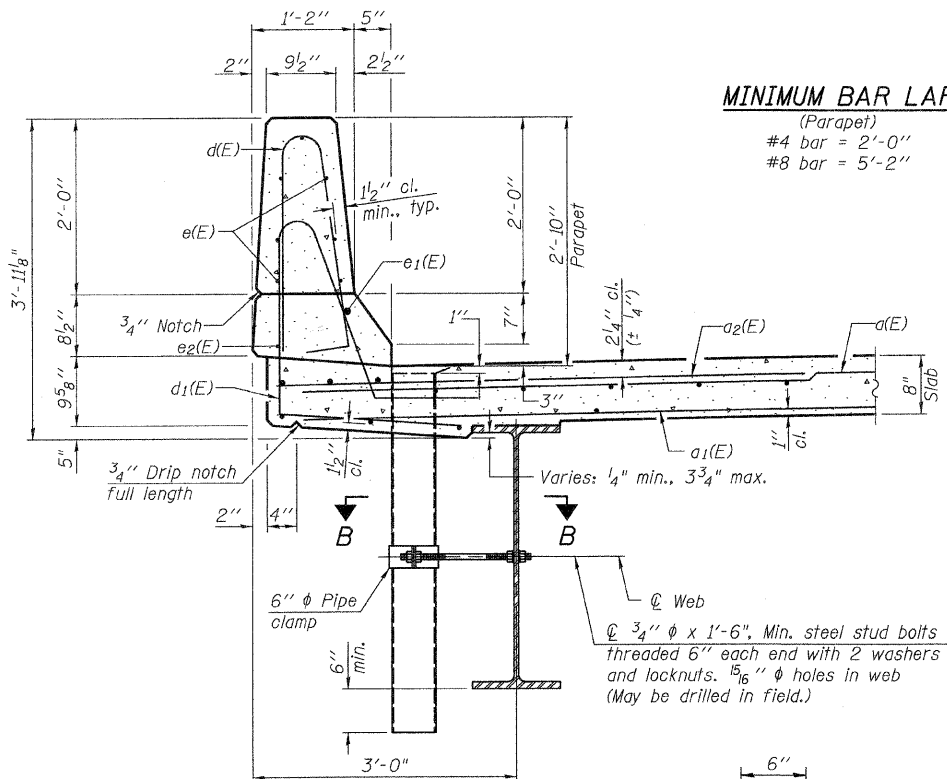
**SUPERSTRUCTURE
BILL OF MATERIAL**

Bar	No.	Size	Length	Shape
a(E)	169	#5	32'-11"	—
a1(E)	118	#5	31'-11"	—
a2(E)	334	#6	6'-6"	—
a3(E)	15	#5	6'-5"	—
b(E)	108	#5	34'-8"	—
b1(E)	124	#5	26'-10"	—
d(E)	216	#5	5'-7"	—
d1(E)	216	#5	7'-9"	—
e(E)	70	#4	19'-3"	—
e1(E)	6	#8	35'-11"	—
e2(E)	8	#4	25'-10"	—
m(E)	5	#6	33'-2"	—
m1(E)	12	#6	8'-5"	—
m2(E)	5	#6	5'-3"	—
m3(E)	2	#6	2'-8"	—
s(E)	36	#5	6'-10"	—
s1(E)	31	#4	9'-10"	—
v(E)	34	#5	3'-10"	—
x(E)	25	#5	6'-5"	—
Reinforcement Bars, Epoxy Coated		Pound	26,300	
Concrete Superstructure		Cu. Yds.	121.9	

Bars indicated thus 1 x 3-#8 etc. indicates 1 line of bars with 3 lengths per line.

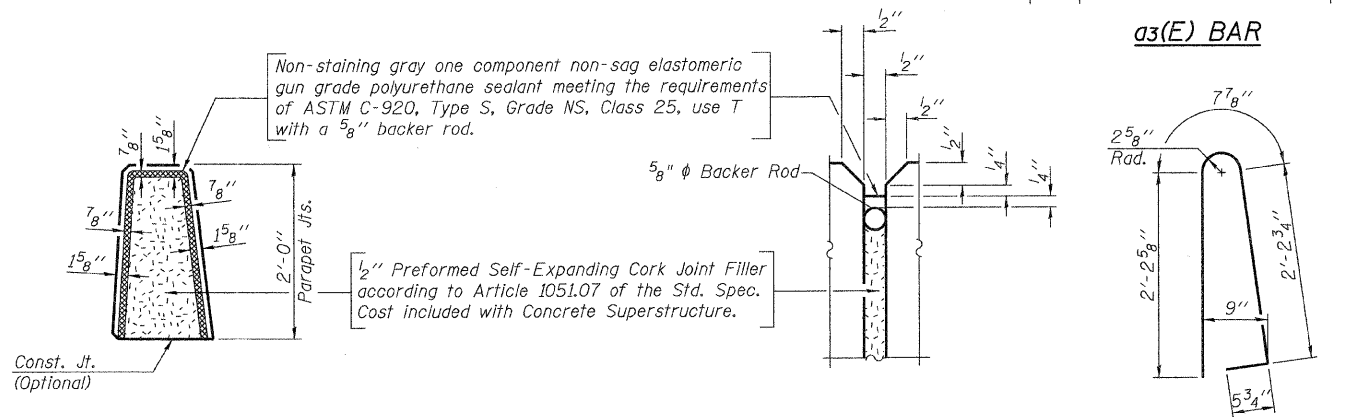
MINIMUM BAR LAP

(Parapet)
#4 bar = 2'-0"
#8 bar = 5'-2"



SECTION THRU PARAPET

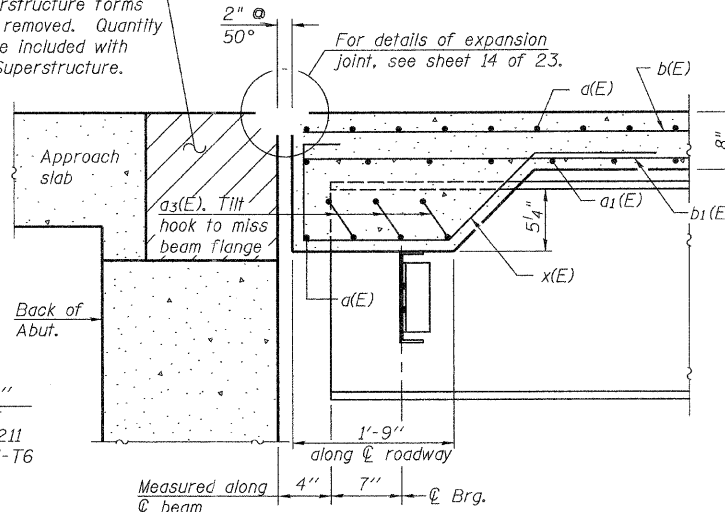
Non-staining gray one component non-sag elastomeric gun grade polyurethane sealant meeting the requirements of ASTM C-920, Type S, Grade NS, Class 25, use T with a 5/8" backer rod.



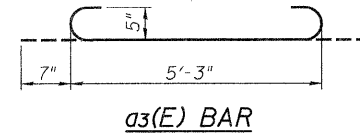
PARAPET JOINT DETAILS

Notes:
Drains shall be located clear of all diaphragms.
Drains need not be painted.
Fiberglass pipe shall conform to ASTM D 2996, with short-time rupture strength hoop tensile stress of 30,000 p.s.i. minimum.
Galvanize clamping device according to AASHTO M232. Cost of clamping device and inserts is included with Floor Drains.

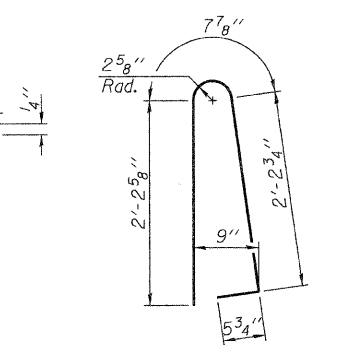
Hatched area to be poured after superstructure forms have been removed. Quantity of concrete included with Concrete Superstructure.



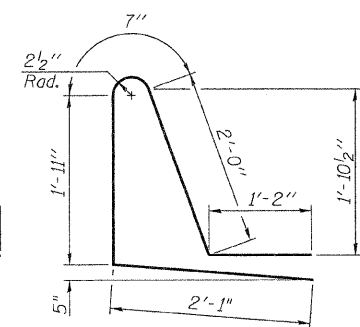
SECTION A-A



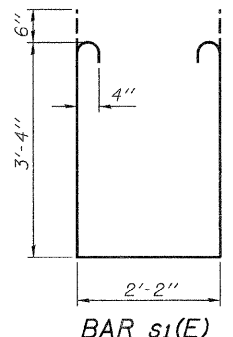
a3(E) BAR



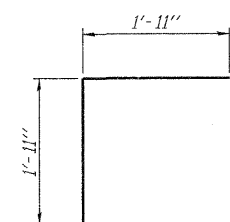
BAR d(E)



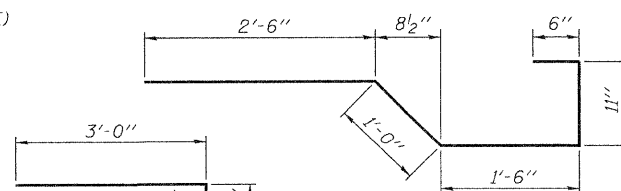
BAR d1(E)



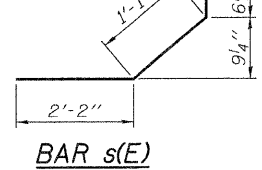
BAR s1(E)



BAR v(E)



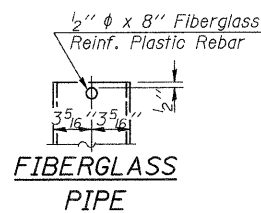
BAR x(E)



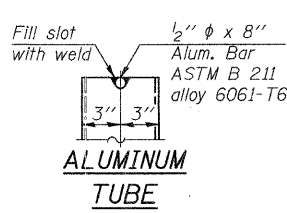
BAR s(E)

**SUPERSTRUCTURE DETAILS
RIVER RD. (F.A.U. 3799) OVER
BLACKBERRY CREEK
SECTION 08-00036-00-BR
KENDALL COUNTY
STATION 99+98.81**

DESIGNED	NPH
CHECKED	BAN
DRAWN	NPH
CHECKED	BAN



FIBERGLASS PIPE



ALUMINUM TUBE

SHEET NO. 8 23 SHEETS	ROUTE NO. FAU 3799	SECTION 08-00036-00-BR	COUNTY KENDALL	TOTAL SHEETS 54	SHEET NO. 29
	SN 047-6500		CONTRACT NO. 87509		
FED. ROAD DIST. NO. 7 ILLINOIS			FED. AID PROJECT BRM-9003(883)		